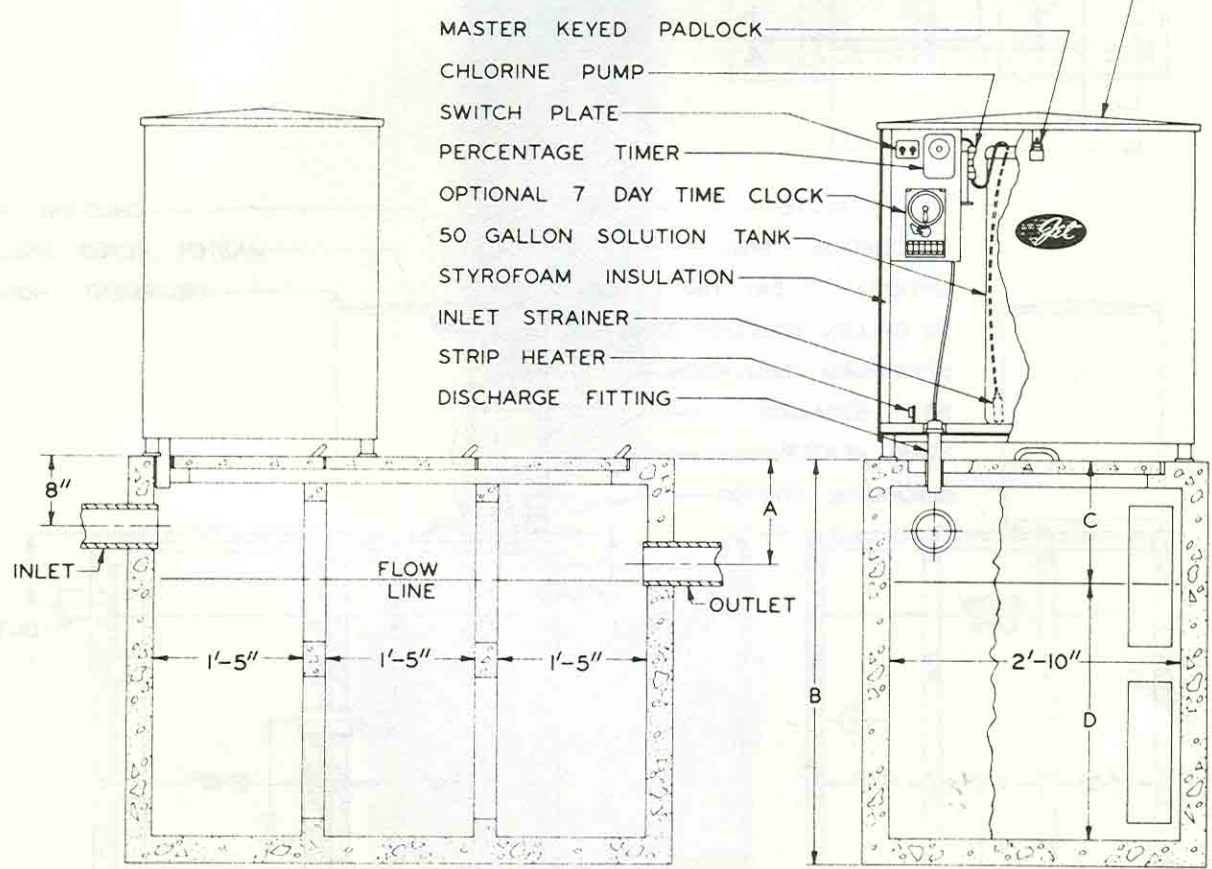
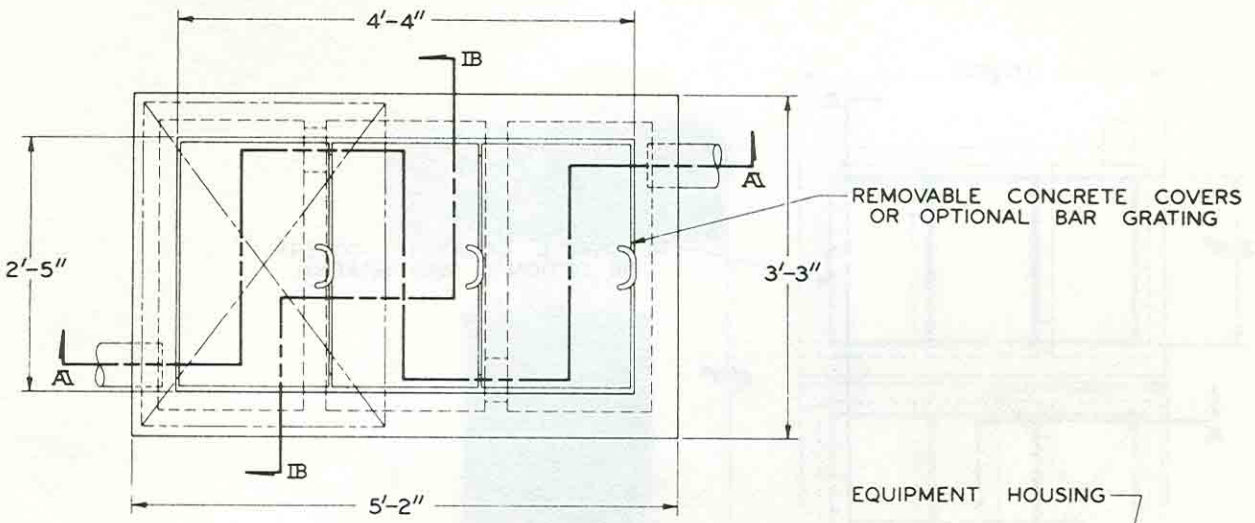


HYPOCHLORINATOR TYPE 1



SECTION A-A

SECTION B-B

PLANT SIZE	A	B	C	D	GAL.
1,500 - 2,000	2'-10"	3'-10"	3'-5"	6.5"	49
2,500 - 5,000	2'-2"	3'-10"	2'-4.5"	1'-2.5"	110
6,000 - 10,000	1'-0"	3'-10"	1'-2.5"	2'-4.5"	217
11,000 - 17,000	1'-0"	5'-6"	1'-2.5"	4'-5"	369
18,000 - 25,000	1'-0"	7'-2"	1'-2.5"	5'-8.5"	521