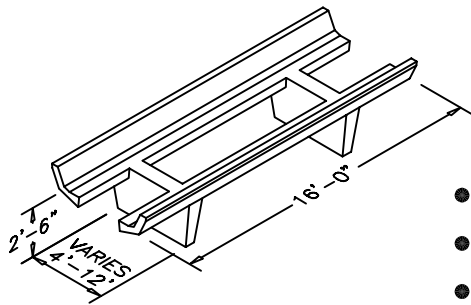


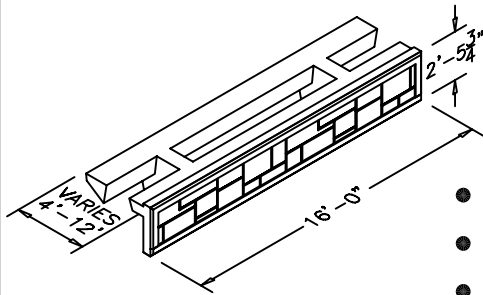


EVERGREEN FAMILY OF WALLS
EVERGREEN SYSTEMS, N. A.
 c/o TEC-KON Enterprises, LLC.
 1-716-762-8314 ...FAX ---8315
www.evergreenwall.com



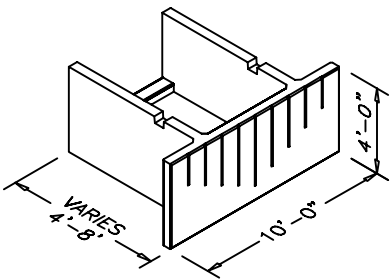
EG-MACRO

- RW
- SW
- OF
- 40 SQ. FT. EL.
- RANGE 10'-50'



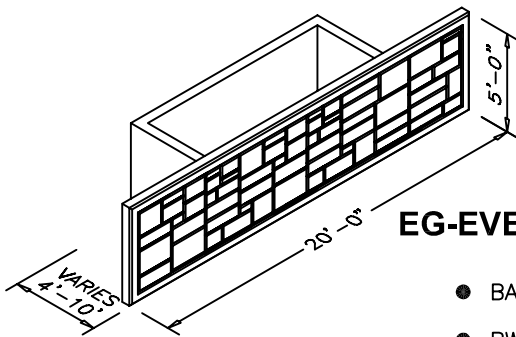
**EG-MACRO-CF
(CLOSED FACE)**

- BA
- RW
- CF
- 40 SQ. FT. EL.
- RANGE 10'-50'



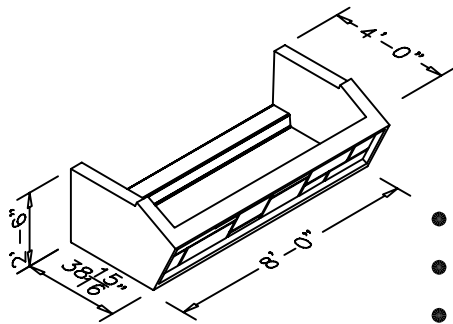
EG-EVERWALL

- BA
- RW
- CF
- RANGE 4'-25'



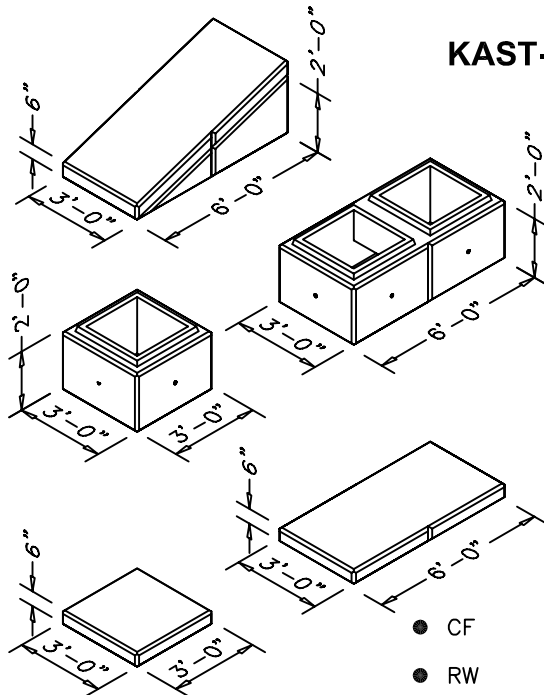
EG-EVERWALL-MAX

- BA
- RW
- RANGE 5'-30'



EG-GEO

- RW
- OF
- 40 SQ. FT. EL.
- RANGE 5'-15'



KAST-BLOCK

- CF
- RW
- BA
- RANGE 4'-20'

- BA = BRIDGE ABUTMENT
- CF = CLOSED FACE
- OF = OPEN FACE
- RW = RETAINING WALL
- SW = SOUND WALL

EG-EGTYPES