



KISTNER CONCRETE PRODUCTS INC.
8713 READ ROAD
E. PEMBROKE, N.Y. 14056
(716) 894-2267

PRODUCT DESIGNATION

"C" TYPE FLOUT CHAMBER

DWG. NO.

DC-FLOUT-C ©

2-8-12

CI	USE INLET NUMBER	DD	DOSE	V
33"	4	21"	431	29"
30"	4	18"	369	26"
28"	3	16"	328	24"
26"	3	14"	287	22"
24"	2	12"	246	20"
22"	2	10"	205	18"
20"	1	8"	164	16"
18"	1	6"	123	14"

* * *

WEIGHT:
TOP: 2,245 LBS.
BOTTOM: 4,534 LBS.
TOTAL: 6,779 LBS.

TANK VOLUME: 247 GAL./LF
20 1/2 GAL./in.

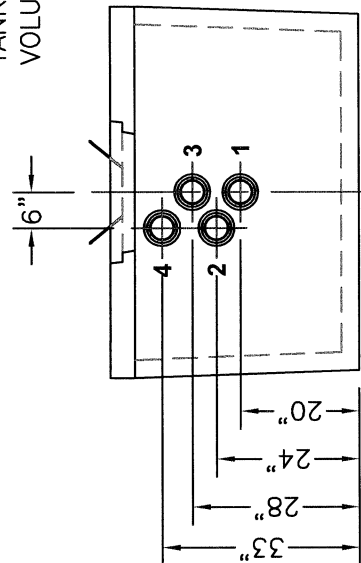
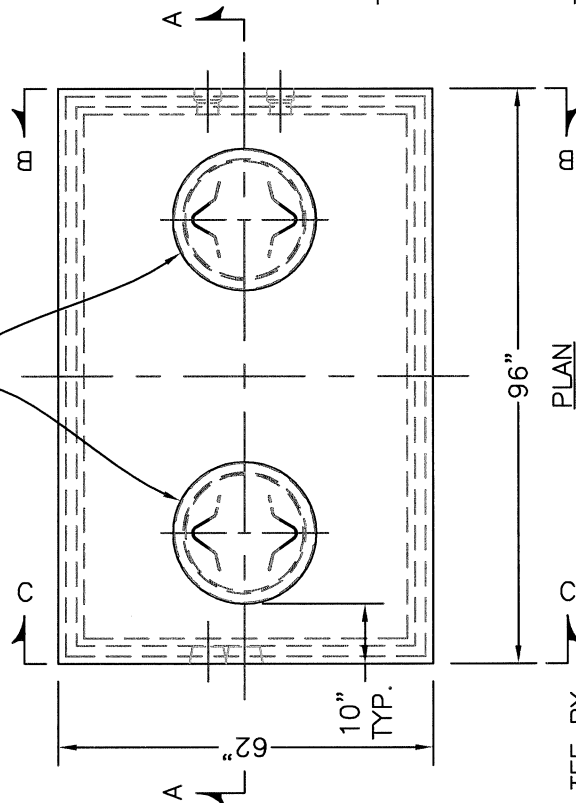
* CAN BE USED FOR AN ALTERNATING FLOUT SYSTEM.
15" DD MIN. REQ'D.

DD = DRAWDOWN
S.O. = SHUTOFF

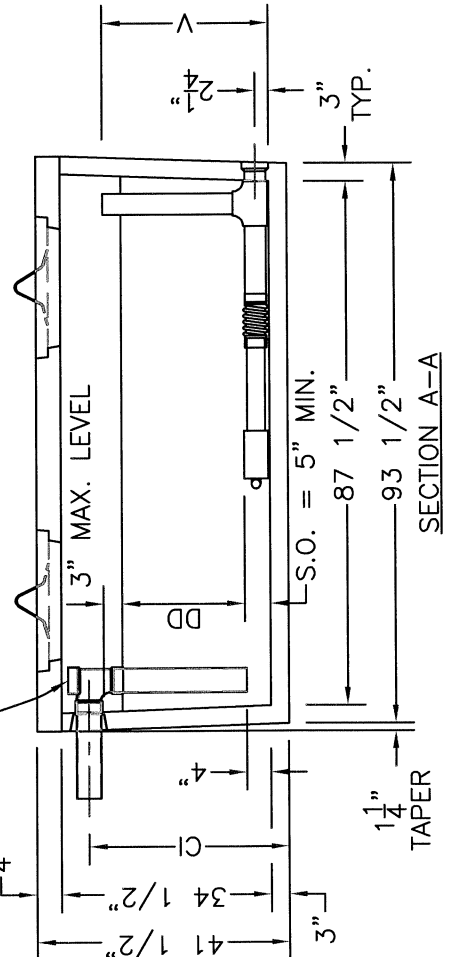
COUPLER CAST IN
3" INWARD
4" OUTWARD
(TYP. OF 2)

SPECIFICATIONS:
CONCRETE: 4,000 P.S.I. @ 28 DAYS.
ENTRAINED AIR: 5% - 9%.
STEEL: A.S.T.M. A496-A615 GRADE 60-60 KSI.
DESIGN LOADING: A-0.3/300PSF/WALKWAYS. FLOTATION FORCES NOT ACCOUNTED FOR.

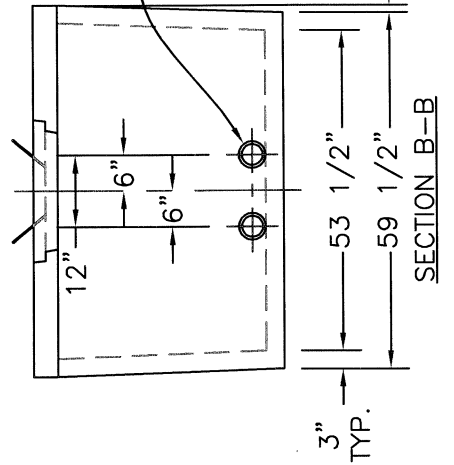
20" DIA. CLEAR OPNG. WITH PLUG COVER



SECTION C-C



SECTION A-A



SECTION B-B

INLET TEE BY CONTRACTOR