



KISTNER CONCRETE PRODUCTS INC.
8713 READ ROAD
E. PEMBROKE, N.Y.
14056
(716) 894-2267

PRODUCT DESIGNATION

"B" TYPE FLOUT CHAMBER

DWG. NO.

DC-FLOUT-B

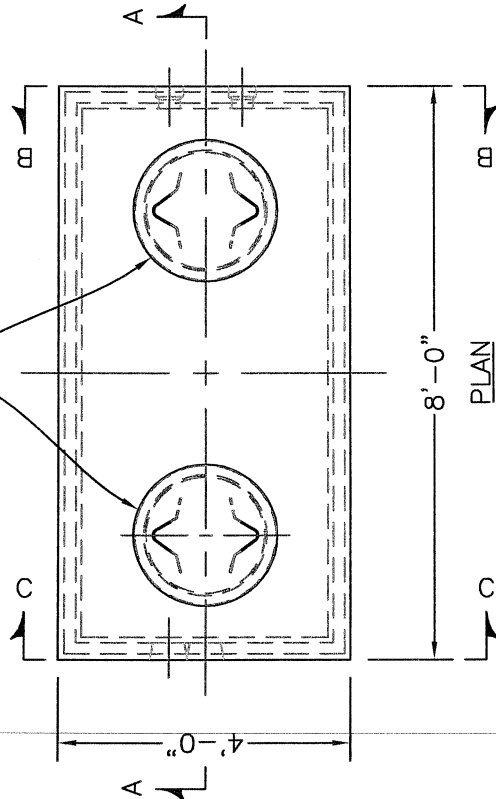
12-5-11

CI	USE INLET NUMBER	DD	DOSE	V
27	3	15	225	23
27	3	12	180	20
22	2	10	150	18
22	2	8	120	16
18	1	6	90	14

*

4,000 P.S.I.
@ 28 DAYS.
5% - 9%
A.S.T.M. A496-A615
GRADE 60-60 KSI.
A-0.3/300PSF/WALKWAYS.
FLOTATION FORCES NOT
ACCOUNTED FOR.

20" DIA. CLEAR OPNG.
WITH PLUG COVER



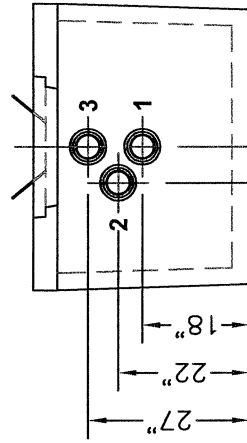
WEIGHT:
TOP: 1,738 LBS.
BOTTOM: 3,344 LBS.
TOTAL: 5,082 LBS.

TANK VOLUME: 182 GAL./LF
15 GAL./in.

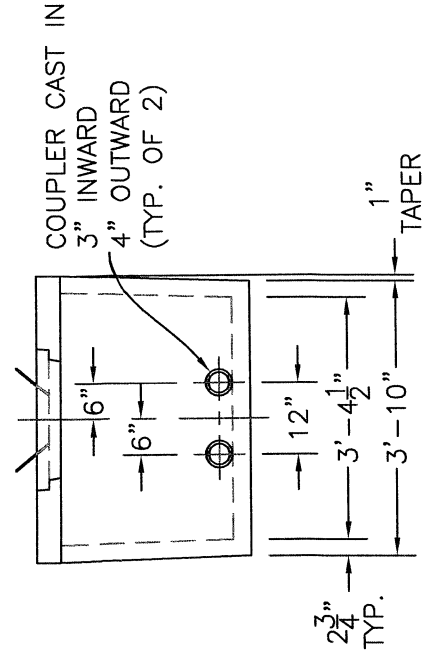
* CAN BE USED FOR AN
ALTERNATING FLOUT
SYSTEM. 15" DD MIN.
REQ'D.

DD = DRAWDOWN

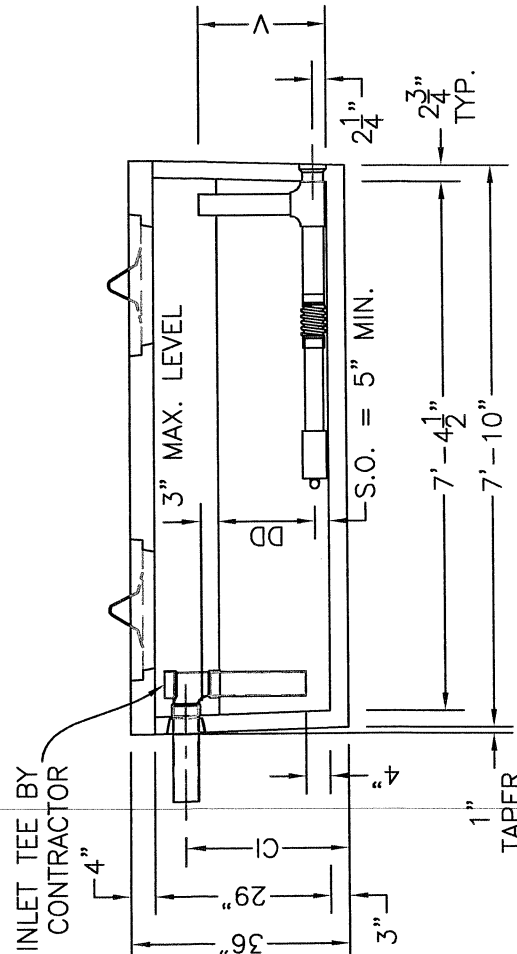
S.O. = SHUTOFF



SECTION C-C



SECTION B-B



SECTION A-A