

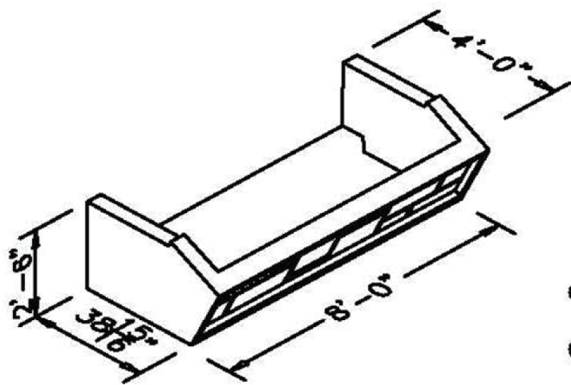


EVERGREEN®- GEO RETAINING WALL SYSTEM

Swiss-engineered, the EVERGREEN®GEO WALL is a simple, inexpensive planted retaining wall. Our unique biotechnical slope retention system combines high strength, durable precast concrete units with a 30" deep soil planter to ensure excellent plant growth. As an added benefit, the limited surface area and step-assembly reduces exposure to unsightly graffiti.

Time-Saving, Cost-Effective Installation

Each precast unit is 8' long by 2'6" high and weighs 3500 lbs. The EVERGREEN®GEO WALL requires minimal crane time since a single lift installs an effective coverage area of 40sq.ft. of wall face. For low walls (up to 12 ft.) just stack and fill with soil. Concrete crib or geotextile reinforcing is used for larger walls.



EG-GEO

- RW
- OF
- 40 SQ. FT. EL.
- RANGE 5'-15'

