

TITLE PAGE

INDEX

DWG No.	SHEET REV. No.	DATE	DESCRIPTION
3029-01-RB-INDEX	1	B 2-2-06	TITLE PAGE & INDEX
3029-02-RB-PRODVW	2	B 2-2-06	PRODUCT VIEWS
3029-03-RB-FIELDLFT	3	B 2-2-06	FIELD LIFT & SET

Project: Unity Health
Product: Precast Concrete Footing
ContRBctor: J. Hales Co.

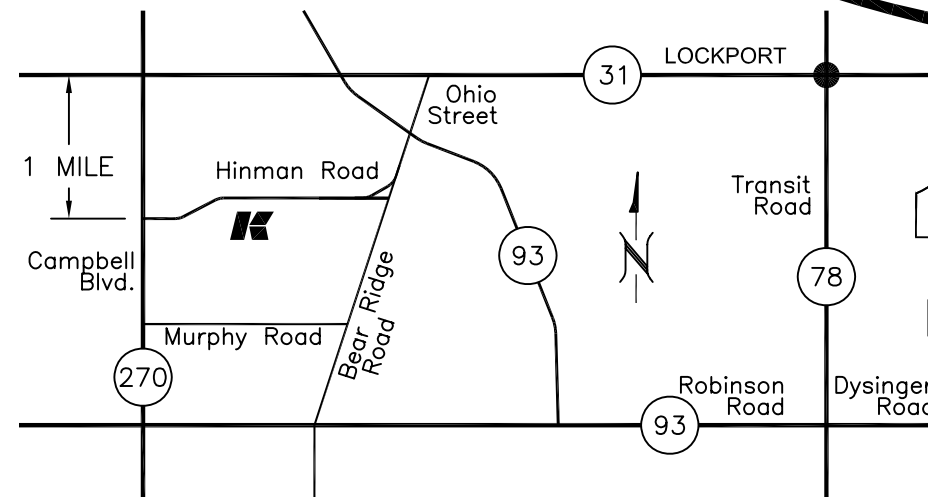
MANUFACTURING FACILITY

KISTNER CONCRETE PRODUCTS, INC.
 5550 HINMAN ROAD
 LOCKPORT, N.Y.
 (716) 434-6157
 (716) 693-0174
 FAX: (716) 434-0138

MAILING ADDRESS:

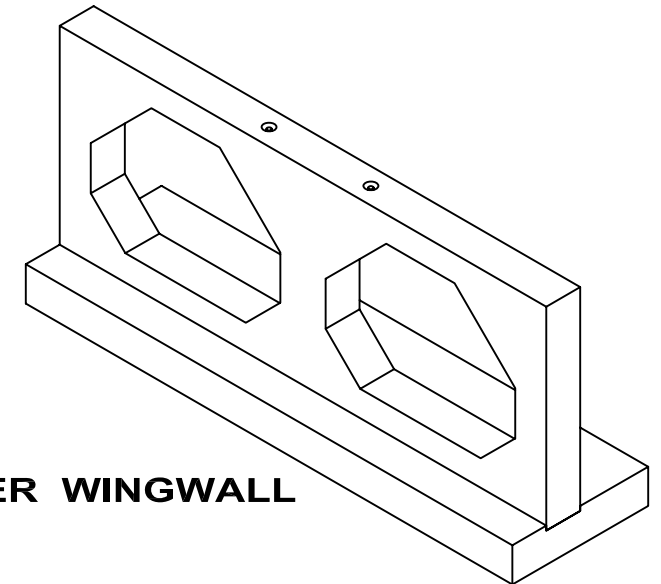
SALES/ENGINEERING & CORPORATE HEADQUARTERS

KISTNER CONCRETE PRODUCTS, INC.
 8713 READ ROAD, P.O. BOX 218
 EAST PEMBROKE, NEW YORK 14056
 (716) 894-2267
 (585) 762-8216
 FAX: (585) 762-8315



MANUFACTURING FACILITY

KISTNER CONCRETE PRODUCTS, INC.
 5726 ROUTE 39 - RD 1
 SPRINGVILLE, N.Y.
 (716) 592-2811
 FAX: (716) 592-3045



CANTILEVER WINGWALL

MANUFACTURING FACILITY

KISTNER CONCRETE PRODUCTS, INC.
 10002 EAST ROAD
 EAST BETHANY, N.Y.
 (585) 343-7811
 FAX: (585) 343-2546

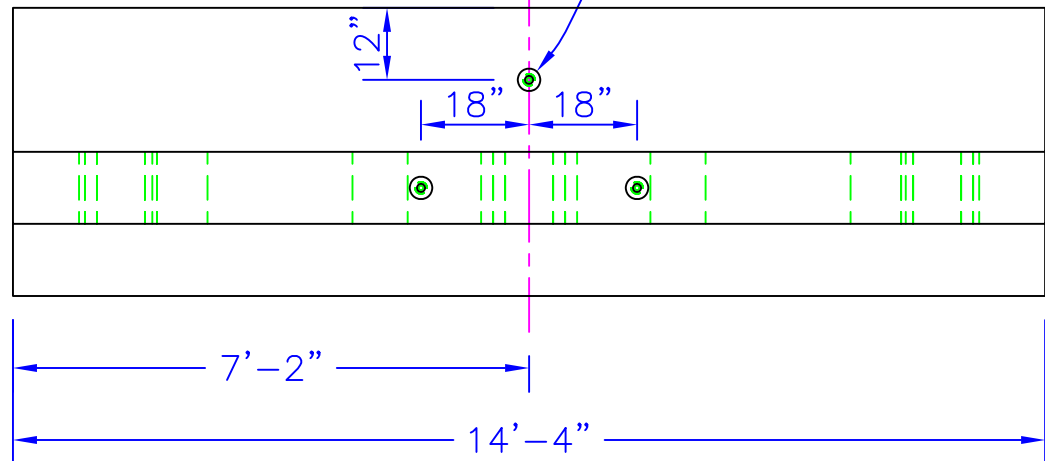
IH-31 A PRODUCT IH HANDLING XX-XX-06
 IH-81 A WW STEEL XX-XX-06
 IH-82 A WALL & FND POUR XX-XX-06

<input type="checkbox"/> Approved <input type="checkbox"/> Approved As Noted		REVISION: B	DATE: 2-2-06	REVIEWED BY:	DATE:
		CONTR. NO.: PROJECT: UNITY HEALTH		PAY ITEM:	
By: _____	Date: _____	LOCATION: HILTON, MONROE COUNTY, NEW YORK			
		OWNER:			
		ENGINEER:			
		CONTRACTOR: J. HALES CO. ACCT # 14342			
		1140 LEHIGH STATION, HENRIETTA, NEW YORK 14623			
		PRODUCT DESIGNATION:		PRECAST CONCRETE FOOTING	
				TITLE PAGE AND INDEX	
		SCALE: NONE	DRAWN BY: DAR	DATE: 1-11-06	DWG. NO.
		REVISED BY: DAR	CHECKED BY:	3029-01-RB-INDEX	
KISTNER CONCRETE PRODUCTS, INC.			PROPRIETARY INFORMATION - ALL RIGHTS OF KISTNER CONCRETE PRODUCTS, INC.		

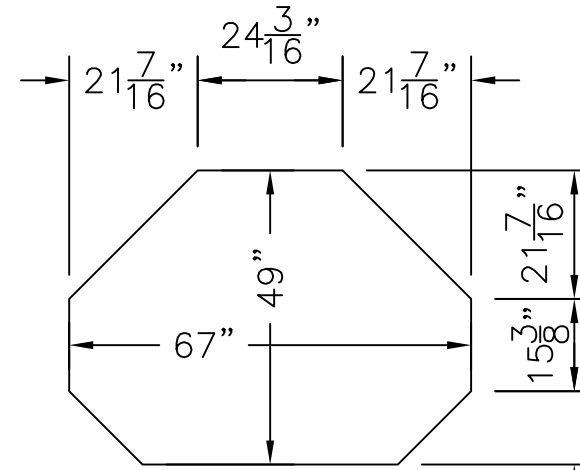
DESIGN CRITERIA FOR PRECAST WINGWALLS

- 1.) CONCRETE: 34.5 MPa [5000 PSI] @ 28 DAYS.
- 2.) ENTRAINED AIR: 5% - 9%.
- 3.) STEEL: ASTM A 615 GRADE 60 KSI.
- 4.) NET ALLOWABLE BEARING PRESSURE: ?? PSF.
- 5.) COEFFICIENT OF FRICTION, PRECAST CONCRETE TO SOIL = ??.
- 6.) INTERNAL ANGLE OF FRICTION = ?? DEGREES.
- 7.) ACTIVE CONDITION K_a = ??.
- 8.) $\beta = 0^\circ$.
- 9.) UNIT WEIGHT OF COMPACTED SOILS = 120 PSF.
- 10.) ALL EXPOSED EDGES OF PRECAST WINGWALLS SHALL BE CHAMFERED 19mm. [3/4 INCH] TYP.
- 11.) SAFETY FACTORS: (MIN.) SLIDING: ??
OVERTURNING: ??
- 12.) GEOTECHNICAL DESIGN DATA WAS NOT PROVIDED IN CONTRACT PLANS. ALL REINFORCEMENT IS AS DETAILED IN CONTRACT PLANS. THEREFORE, CONTRACTOR IS REQUIRED TO VERIFY STRUCTURAL DESIGN.

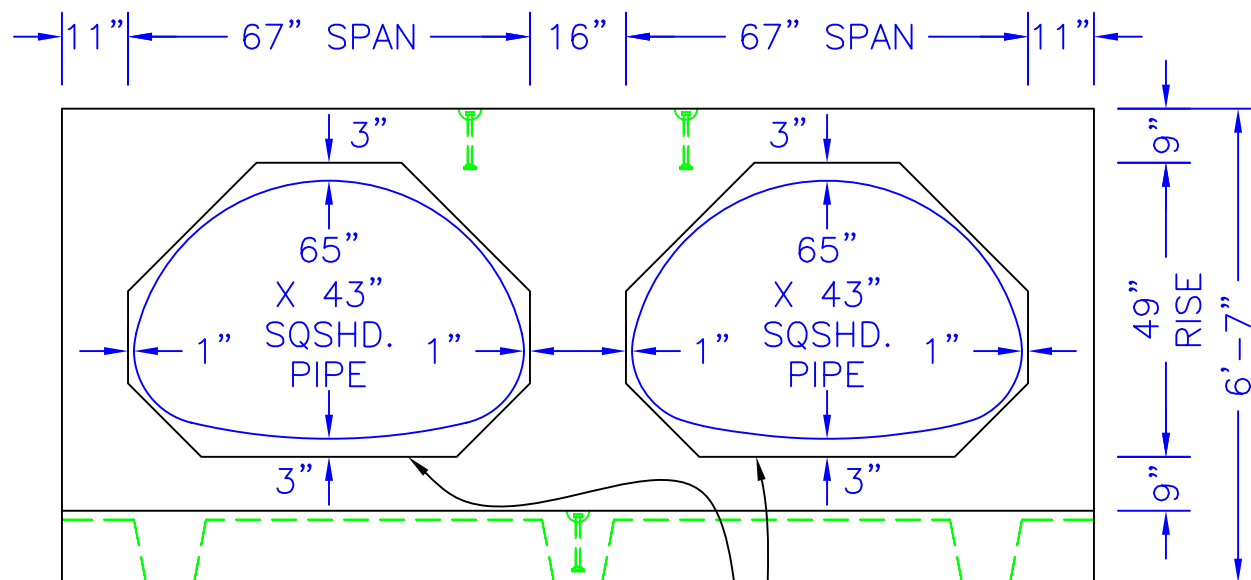
(3) 4 TON X 9 1/2" LG. SWIFT PINS TYP.



PLAN

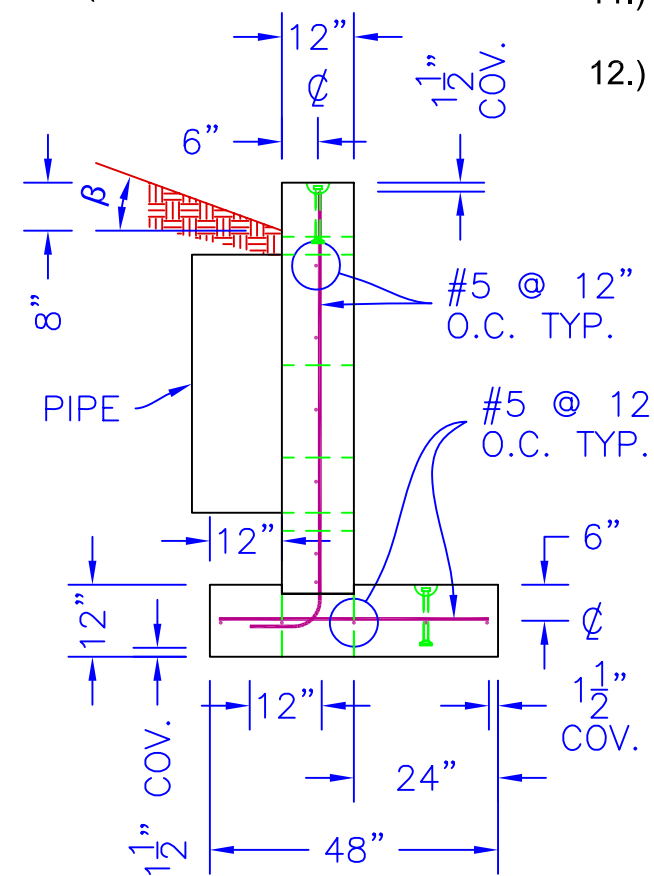


HOLE DETAIL
QTY - 2

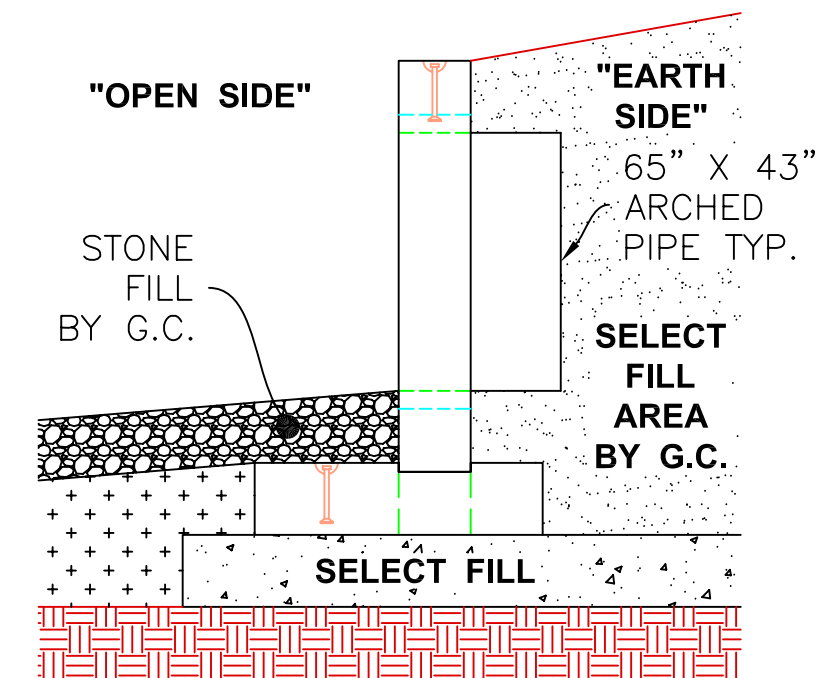


SIDE VIEW

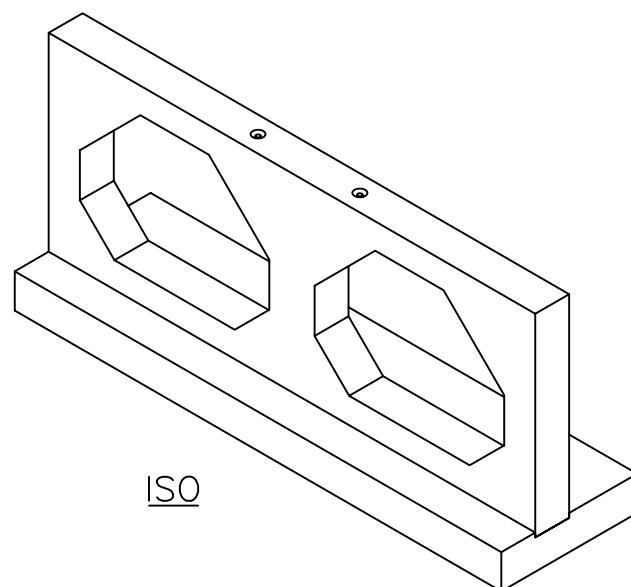
K.C.P. TO CAST HOLES AS SHOWN. SEE DETAIL



END VIEW



END VIEW



ISO

QTY: 2 UNITS

<input type="checkbox"/> Approved <input type="checkbox"/> Approved As Noted		REVISION: B	DATE: 2-2-06	REVIEWED BY:	DATE:
		CONTR. NO.:		PAY ITEM:	
By:	Date:	PROJECT: UNITY HEALTH			
LOCATION: HILTON, MONROE COUNTY, NEW YORK					
OWNER:					
ENGINEER:					
CONTRACTOR: J. HALES CO. ACCT # 14342					
1140 LEHIGH STATION, HENRIETTA, NEW YORK 14623					
PRODUCT DESIGNATION:				PRECAST CONCRETE FOOTING	
				PRODUCT VIEWS	
SCALE: 3/8"=1'		DRAWN BY: DAR		DATE: 1-11-06	
REVISED BY: DAR		CHECKED BY:		DWG. NO. 3029-02-RB-PRODVW	
KISTNER CONCRETE PRODUCTS, INC.				PROPRIETARY INFORMATION - ALL RIGHTS OF KISTNER CONCRETE PRODUCTS, INC.	