



KISTNER CONCRETE
PRODUCTS INC.
8713 READ ROAD
E. PEMBROKE, N.Y.
14056
(716) 894-2267

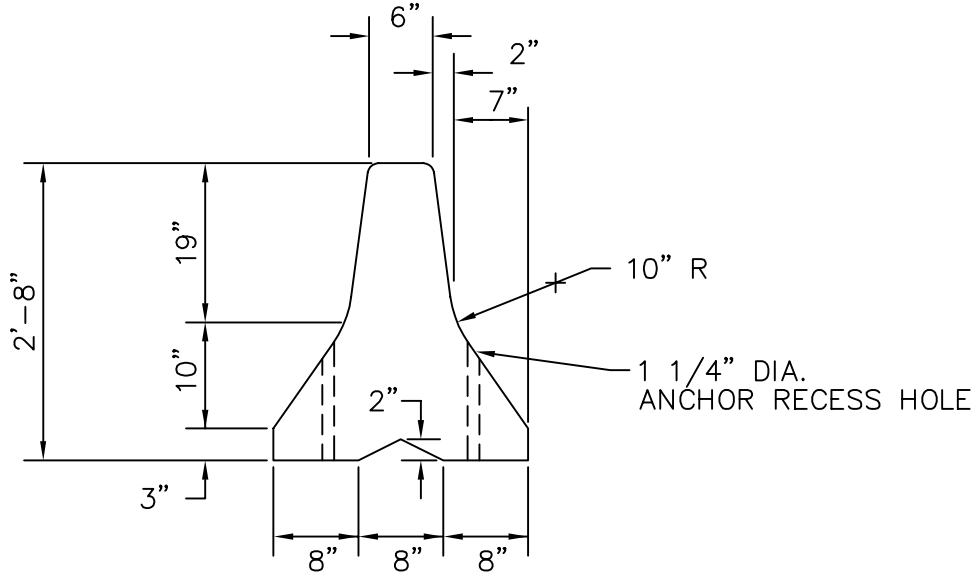
PRODUCT DESIGNATION

TEMPORARY PRECAST CONCRETE
FULL SECTION BARRIER

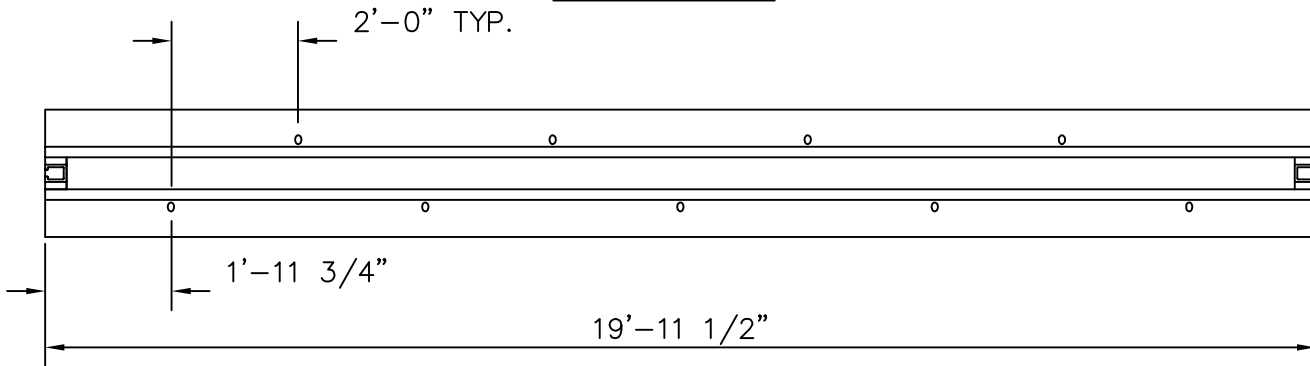
DWG. NO.

MB-1

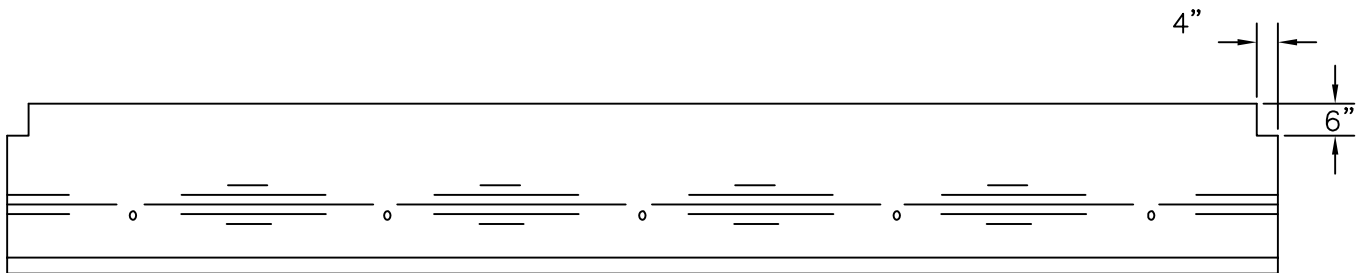
©



SECTION A-A



PLAN VIEW



ELEVATION

NOTE:
CHANNEL AND KEY CONNECTION SYSTEM
CAST AT EACH END.
FOR ALL DETAILS, DIMENSIONS, AND OTHER
INFORMATION SEE N.Y.S.D.O.T. DWG. 619-3R3.
WEIGHT: 7440 LBS.