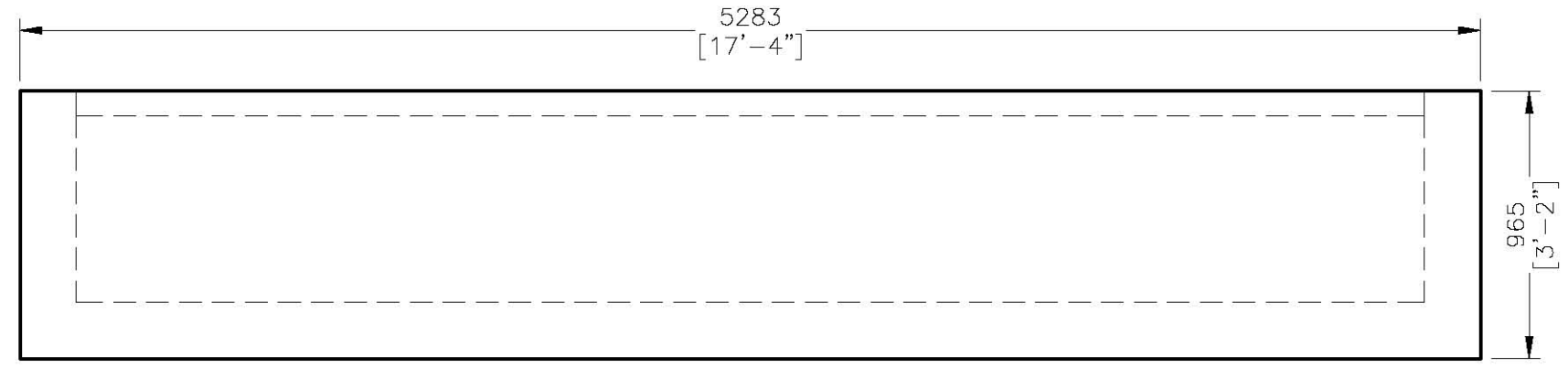
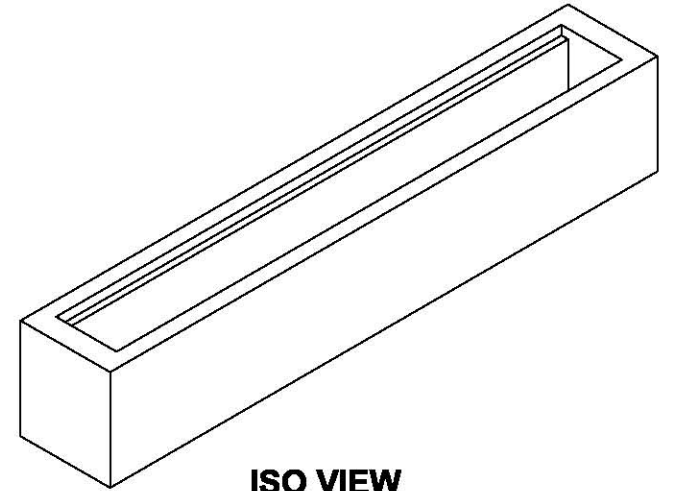


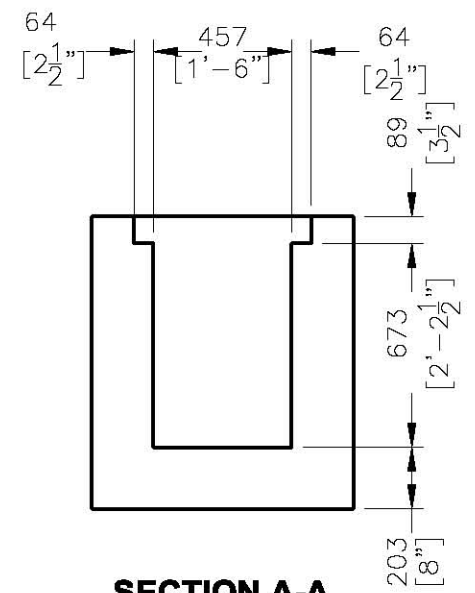
**PLAN VIEW**



**ELEVATION VIEW**



**ISO VIEW**



**SECTION A-A**

**SPECIFICATIONS:**  
 CONCRETE: 27.5 MPa [4000 PSI]  
 REINFORCEMENT:  
 ASTM A615 GRADE 60  
 ASTM A185 GRADE 65  
 ENTRAINED AIR: 5.0%–9.0%  
 APPROXIMATE WT: 6052 KG  
 13,343 LB

- NOTES:**
1. 16'–0" INSIDE STANDARD LENGTH WITH END WALLS.
  2. INLET AND OUTLET HOLES FORMED IN TO ENGINEERING DESIGN SPECIFICATONS.
  3. CENTER SECTIONS ALSO AVAILABLE FOR LONGER UNITS.
  4. REINFORCING PER ENGINEERING DESIGN SPECIFICATIONS.
  5. FRAMES AND GRATES SUPPLIED BY CONTRACTOR.
  6. DESIGNED PER NYSDOT STD. SHEET M604–1.

REV. NO.	DATE	DESCRIPTION

PREPARED FOR:  
**KISTNER CONCRETE PRODUCTS, INC**  
 5550 HINMAN ROAD  
 LOCKPORT, NY

ACCT #

DATE: 9/21/06	SHEET TITLE: <b>PRECAST CONCRETE TRANSVERSE DRAINAGE INTERCEPTOR</b>	DRAWN BY: <b>EFA</b>
SCALE: 1:25		CK'D BY: <b>MJK</b>

PROJECT:

NYSDOT  
 Approved  
 Approved As Noted

By: \_\_\_\_\_ DATE \_\_\_\_\_

FOR: DIRECTOR MATERIALS BUREAU  
DRAWING VERIFIED IN METRIC UNITS ONLY

NYSDOT STANDARD SHEET DWG NO: M604-1	SHT NO: 1 OF 1
KISTNER PROJECT NO: 06KCP022	KISTNER DWG NO: 06KCP022-01

**KISTNER CONCRETE PRODUCTS, INC.**  
 5550 HINMAN ROAD  
 LOCKPORT, NEW YORK 14094  
 PHONE 716-434-6157  
 PROPRIETARY INFORMATION  
 ALL RIGHTS OF KISTNER CONCRETE PRODUCTS, INC.