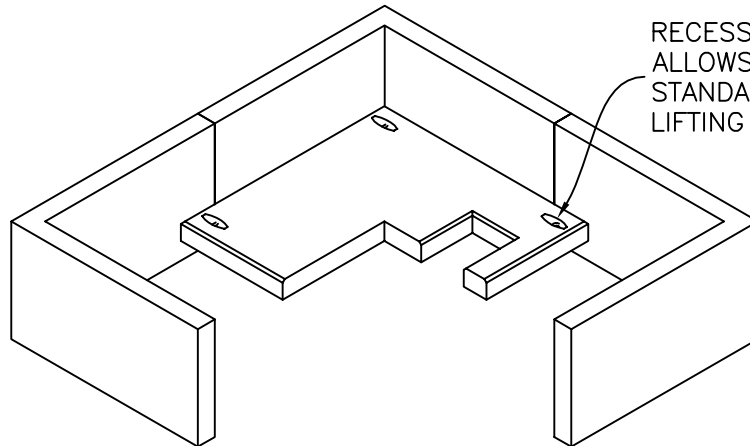




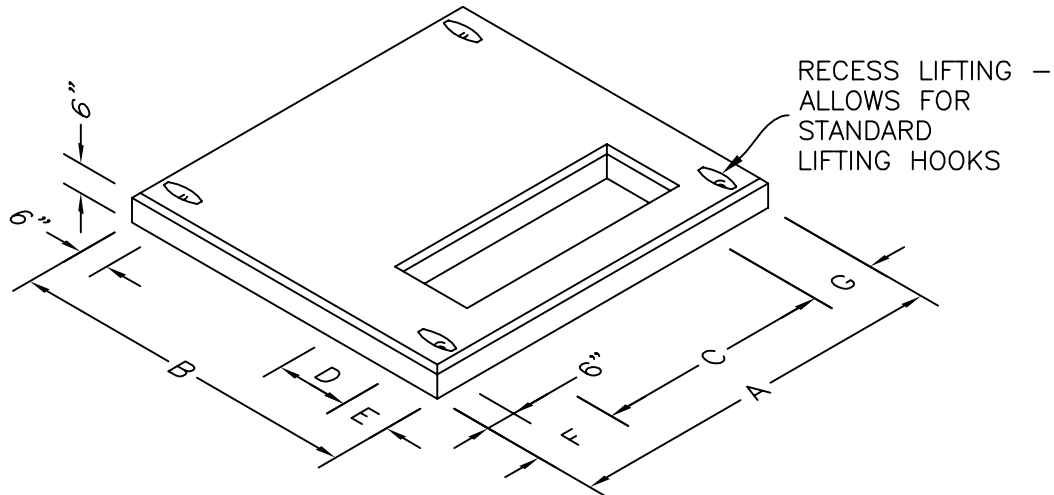
PRECAST TRANSFORMER PAD & CURB (NMPC)



NMPC PRECAST CONCRETE TRANSFORMER PADS				
QTY	DWG. NO.	DESCRIPTION	WEIGHT (PER 1/4)	WEIGHT (PER PC.)
	TP-75KVA	75-500 KVA 6' SQ. TP	597.25	2389
		10' SQ. CURBING	2333.25	9333
		TOTAL:	2930.5	11722
	TP-500KVA	500-1000 KVA 7' SQ.	837.75	3351
		11' SQ. CURBING	2555	10220
		TOTAL:	3392.75	13571
	TP-1000KVA	1000-2500 KVA 8' SQ.	1115.5	4462
		12' SQ. CURBING	2777.75	11111
		TOTAL:	3893.25	15573



PRECAST TRANSFORMER PAD (NYSE&G)



NYSE&G PRECAST CONCRETE PADS													
QTY	TRANSFORMER RATING				DIMENSIONS IN INCHES								
	TYPE	KV	PHASE	KVA	A	B	C	D	E	F	G	WEIGHT	SS#
	UTIL.	15	3	75-750	78	72	48	15	10	17	13	2700	262-777-00
	UTIL.	15	3	750-2500	89	75	50	17	14	21	18	3100	262-781-00
	UTIL.	35	3	75-150	78	72	48	15	10	17	13	2600	262-777-00
	UTIL.	35	3	300-1500	89	75	50	17	14	21	18	3100	262-781-00
	UTIL.	35	3	2500	96	96	60	24	12	24	12	4300	262-782-00
	STEP		1/3	250-500	76	71	30	15	22.5	23	23	2600	262-790-00
	STEP		3	500-1500	95	89	43	17	20	26	26	4100	262-791-00
	STEP		3	1500-2500	96	96	62	17	20	17	17	4300	262-792-00
	STEP		3	3750-5000	120	120	80	24	20	20	20	6500	262-793-00