



KISTNER CONCRETE PRODUCTS INC.  
8713 READ ROAD  
E. PEMBROKE, N.Y.  
14056  
(716) 894-2267

PRODUCT DESIGNATION

500 GALLON SEPTIC TANK/TRAFFIC

DWG. NO.

ST-ST500T ©  
1-19-07

SP-7A  
SPECIFICATIONS:  
CONCRETE: 5,000 P.S.I. @ 28 DAYS.  
5% - 8%  
ENTRAINED AIR: A.S.T.M. A496-A615  
STEEL: GRADE 60-80 KSI.  
DESIGN LOADING: ACI 318-99 TRAFFIC. USE ACI LOAD FACTORS.  
A.A.S.H.T.O. METHOD OF DESIGN. EQUIVALENT  
SOIL PRESSURE OF 40 (PCF).  
LIVE LOAD: 0 TO 6'.  
EARTH FILL: WATER TABLE: 3' BELOW GRADE.

WEIGHT: 1,852 LBS.  
TOP SECTION: 8,518 LBS.  
BOTTOM SECTION: 10,370 LBS.  
TOTAL:

BAFFLE: 4" BY KISTNER. LARGER BY CONTRACTOR.

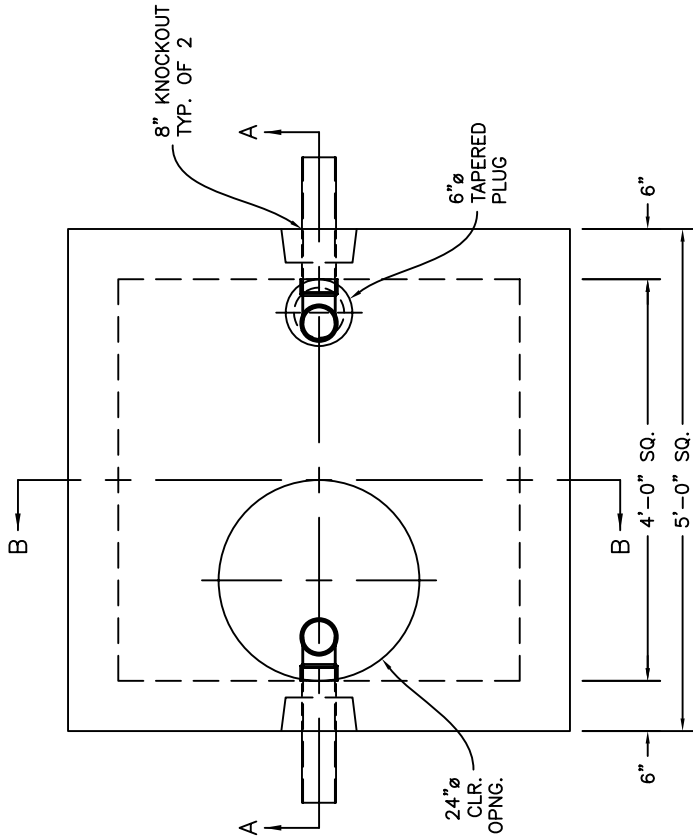
WATERTIGHT ASSEMBLY IS THE RESPONSIBILITY OF THE INSTALLING CONTRACTOR. ASK FOR KISTNER "WATERTIGHT JOINT INSTALLATION" DETAIL.

PIPE OPENINGS STOCK:

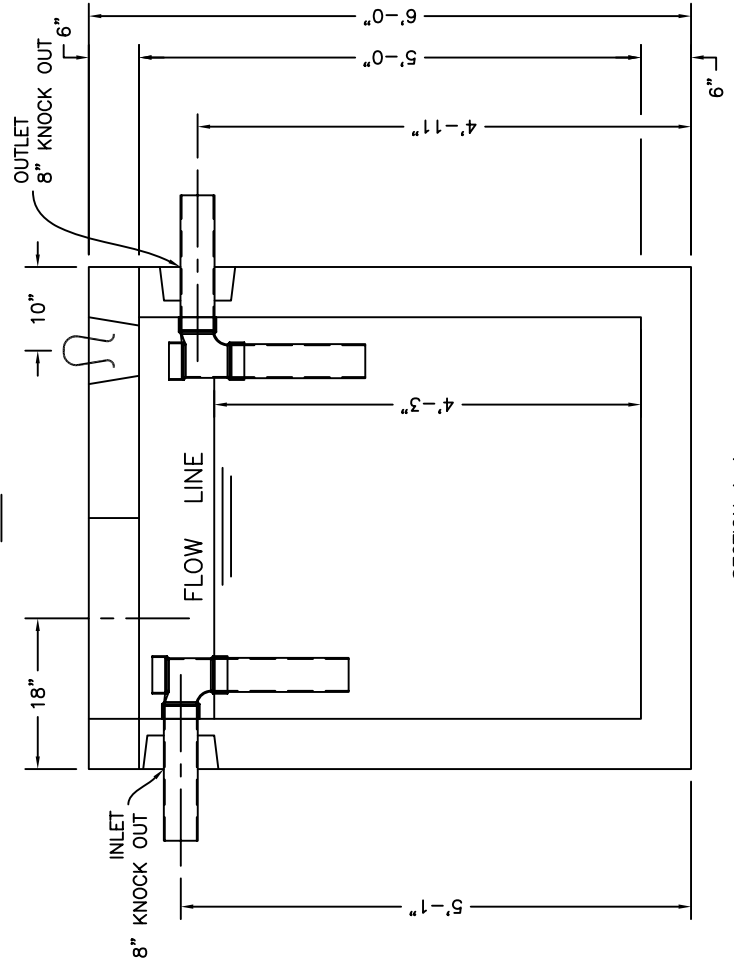
GROUTED OPENINGS ONLY - REQUIRED

4" PVC - STOCK KNOCKOUT TO BE BROKEN OUT BY CONTRACTOR

6" PVC - STOCK KNOCKOUT TO BE BROKEN OUT BY CONTRACTOR

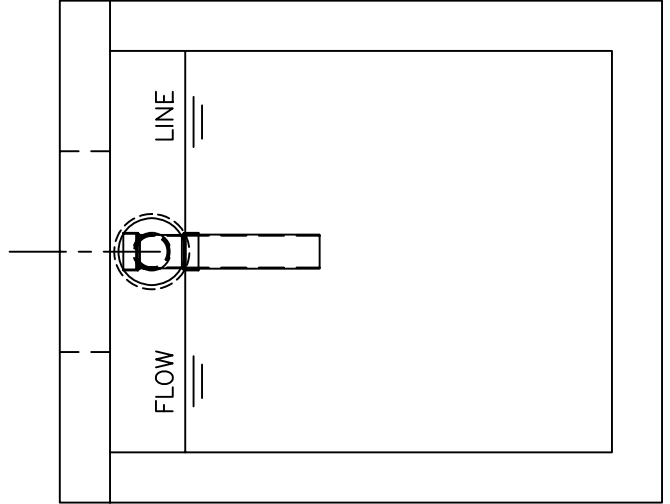


PLAN



SECTION A-A

FOR RISER, FRAME, AND COVER: SEE "TRAFFIC TANK EXTENSIONS"



SECTION B-B