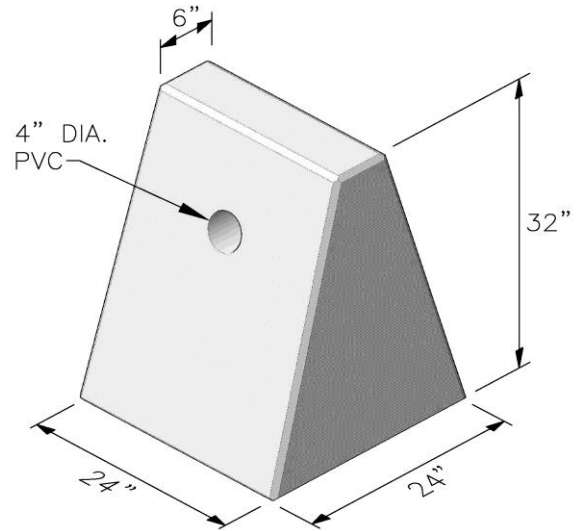


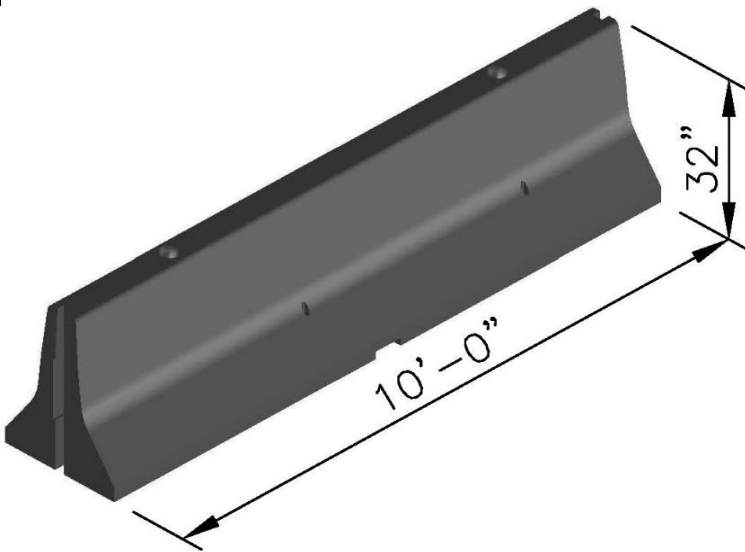
**20' Security Barrier**

**Weight = 8000 #**



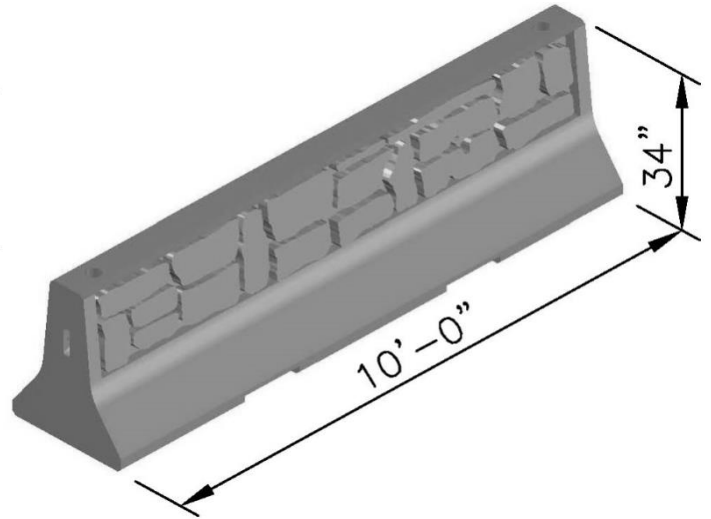
**2' Security Barrier**

**Weight = 800 #**



**10' Security Barrier**

**Weight = 4000 #**



**Architectural Face Security Barrier**

**Weight = 4000 #**