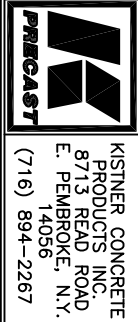
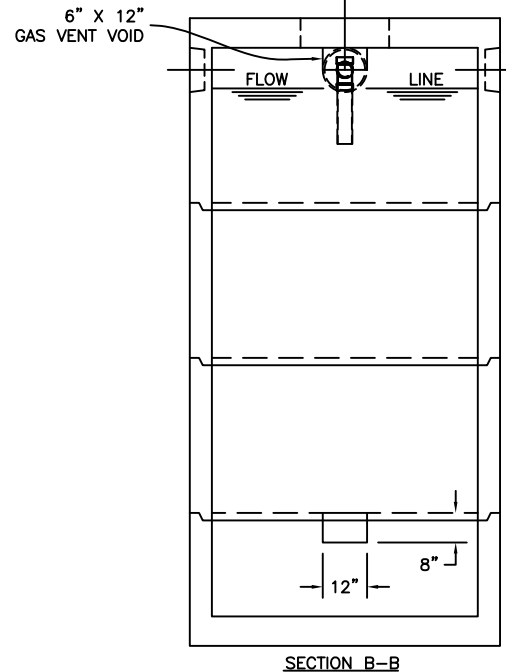


**SP-7A**  
**SPECIFICATIONS:**  
 CONCRETE: 5,000 P.S.I. @ 28 DAYS.  
 ENTRAINED AIR: 5% - 8%.  
 STEEL: A.S.T.M. A496-A615  
 GRADE 60-80 KSI.  
**DESIGN LOADING:** ACI 318-99 TRAFFIC. USE ACI LOAD FACTORS.  
 A.A.S.H.T.O. METHOD OF DESIGN. EQUIVALENT  
 SOIL PRESSURE OF 40 (PCF).  
 H2O.  
**LIVE LOAD:** 0 TO 3'.  
**EARTH FILL:** 3' BELOW GRADE.  
**WEIGHT:**  
 TOP SECTION: 20,704 LBS.  
 MID-SECTION: 11,935 LBS.  
 BOTTOM SECTION: 18,007 LBS.  
 TOTAL: 62,581 LBS.  
**BAFFLE:** 4" BY KISTNER. LARGER BY CONTRACTOR.

WATERTIGHT ASSEMBLY IS THE RESPONSIBILITY OF THE INSTALLING CONTRACTOR. ASK FOR KISTNER "WATERTIGHT JOINT INSTALLATION" DETAIL.  
**PIPE OPENINGS STOCK:**

- PIPE SEALS REQUIRED
- 4" PVC - OPENING WITH SEAL - STOCK
- 6" PVC - OPENING STOCK - SEAL TO BE INSTALLED
- 8" PVC - OPENING STOCK - SEAL TO BE INSTALLED
- GROUTED OPENINGS ONLY - REQUIRED
- 4" PVC - OPENING WITH SEAL - STOCK
- 6" PVC - STOCK KNOCKOUT TO BE BROKEN OUT BY CONTRACTOR
- 8" PVC - STOCK KNOCKOUT TO BE BROKEN OUT BY CONTRACTOR



**PRODUCT DESIGNATION**  
**6000 GAL. SEPTIC TANK/TRAFFIC**

**DWG. NO.**  
**ST-ST6000T**  
 9/7/12