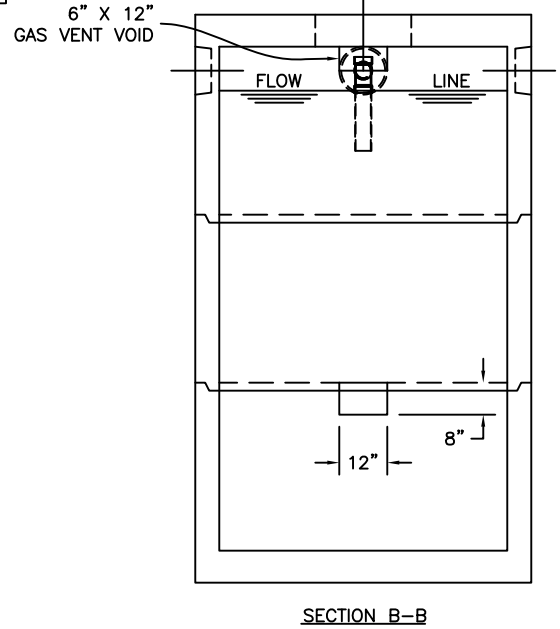


SP-7A
 SPECIFICATIONS:
 CONCRETE: 5,000 P.S.I. @ 28 DAYS.
 ENTRAINED AIR: 5% - 8%.
 STEEL: A.S.T.M. A496-A615
 GRADE 60-80 KSI.
 DESIGN LOADING: ACI 318-99 TRAFFIC. USE ACI LOAD FACTORS.
 A.A.S.H.T.O. METHOD OF DESIGN. EQUIVALENT SOIL PRESSURE OF 40 (PCF).
 LIVE LOAD: H20.
 EARTH FILL: 0 TO 4'.
 WATER TABLE: 3' BELOW GRADE.
 WEIGHT:
 TOP SECTION: 20,704 LBS.
 MID-SECTION: 11,935 LBS.
 BOTTOM SECTION: 22,000 LBS.
 TOTAL: 54,639 LBS.

BAFFLE: 4" BY KISTNER. LARGER BY CONTRACTOR.
 WATERTIGHT ASSEMBLY IS THE RESPONSIBILITY OF THE INSTALLING CONTRACTOR. ASK FOR KISTNER "WATERTIGHT JOINT INSTALLATION" DETAIL.
 PIPE OPENINGS STOCK:

- PIPE SEALS REQUIRED
 - 4" PVC - OPENING WITH SEAL - STOCK
 - 6" PVC - OPENING STOCK - SEAL TO BE INSTALLED
 - 8" PVC - OPENING STOCK - SEAL TO BE INSTALLED
- GROUTED OPENINGS ONLY - REQUIRED
 - 4" PVC - OPENING WITH SEAL - STOCK
 - 6" PVC - STOCK KNOCKOUT TO BE BROKEN OUT BY CONTRACTOR
 - 8" PVC - STOCK KNOCKOUT TO BE BROKEN OUT BY CONTRACTOR



PRECAST

KISTNER CONCRETE PRODUCTS, INC.
 8713 READ ROAD
 E. PEMBROKE, N.Y.
 14056
 (716) 894-2267

PRODUCT DESIGNATION
5000 GAL. SEPTIC TANK/TRAFFIC

DWG. NO.
ST-ST5000T
 9/7/12