

**SP-7A**

**SPECIFICATIONS:**

CONCRETE: 5,000 P.S.I. @ 28 DAYS.  
 ENTRAINED AIR: 5% - 8%.  
 STEEL: A.S.T.M. A496-A615  
 GRADE 60-80 KSI.

**DESIGN LOADING:**

ACI 318-99 TRAFFIC. USE ACI LOAD FACTORS.  
 A.A.S.H.T.O. METHOD OF DESIGN. EQUIVALENT  
 SOIL PRESSURE OF 40 (PCF).  
 H2O.

**LIVE LOAD:**

EARTH FILL: 0 TO 4'.  
 WATER TABLE: 3' BELOW GRADE.

**WEIGHT:**

TOP SECTION: 19,590 LBS.  
 MID-SECTION: 10,794 LBS.  
 BOTTOM SECTION: 20,895 LBS.  
 TOTAL: 51,279 LBS.

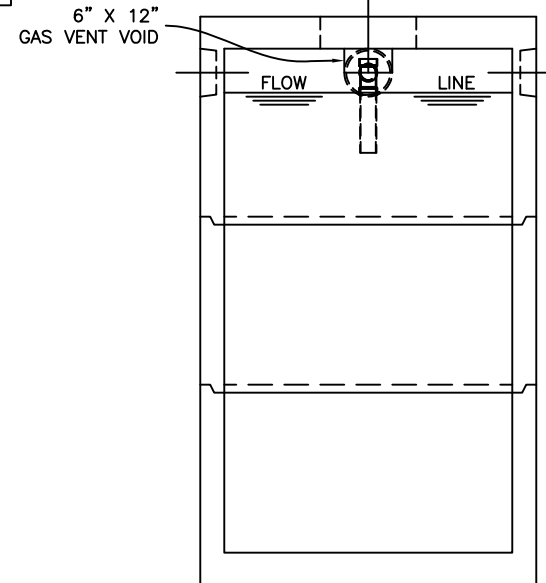
**BAFFLE:**

4" BY KISTNER. LARGER BY CONTRACTOR.

WATERTIGHT ASSEMBLY IS THE RESPONSIBILITY OF THE INSTALLING CONTRACTOR. ASK FOR KISTNER "WATERTIGHT JOINT INSTALLATION" DETAIL.

**PIPE OPENINGS STOCK:**

- PIPE SEALS REQUIRED
- 4" PVC - OPENING WITH SEAL - STOCK
- 6" PVC - OPENING STOCK - SEAL TO BE INSTALLED
- 8" PVC - OPENING STOCK - SEAL TO BE INSTALLED
- GROUTED OPENINGS ONLY - REQUIRED
- 4" PVC - OPENING WITH SEAL - STOCK
- 6" PVC - STOCK KNOCKOUT TO BE BROKEN OUT BY CONTRACTOR
- 8" PVC - STOCK KNOCKOUT TO BE BROKEN OUT BY CONTRACTOR



**KISTNER CONCRETE PRODUCTS, INC.**  
 8713 READ ROAD  
 E. PEMROKE, N.Y.  
 14056  
 (716) 894-2267

**PRODUCT DESIGNATION**

**5000 GAL. SEPTIC TANK/  
 TRAFFIC - NO BAFFLE**

**DWG. NO.**

**ST-ST5000T-NB**

9/21/12