



KISTNER CONCRETE PRODUCTS INC.
8713 READ ROAD
E. PEMBROKE, N.Y.
14056
(716) 894-2267

PRODUCT DESIGNATION

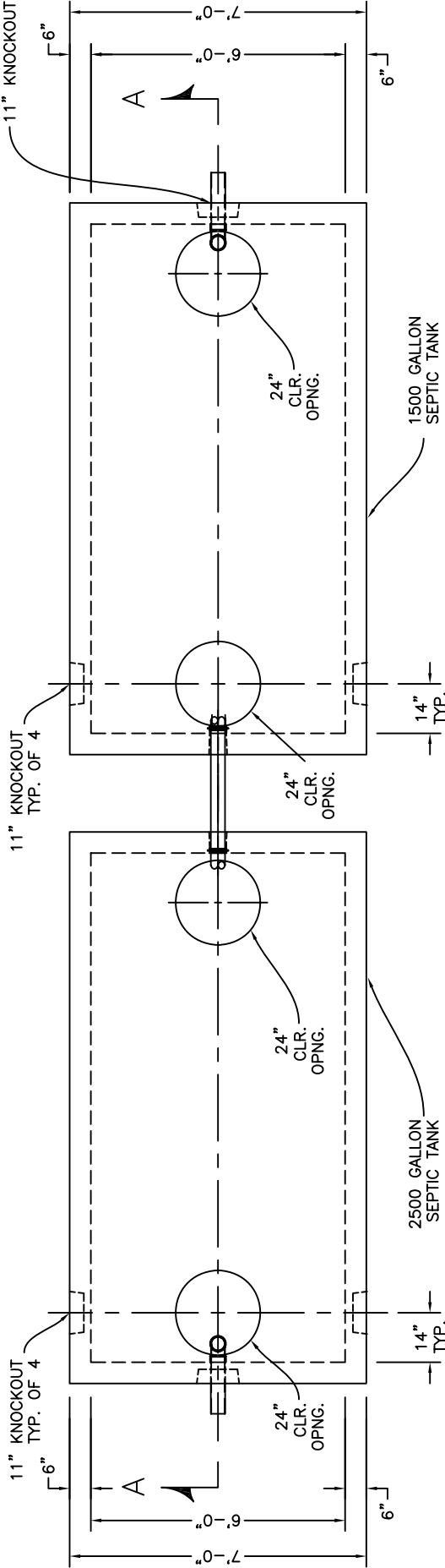
4100 GALLON SEPTIC TANK-90/TRAFFIC

DWG. NO.

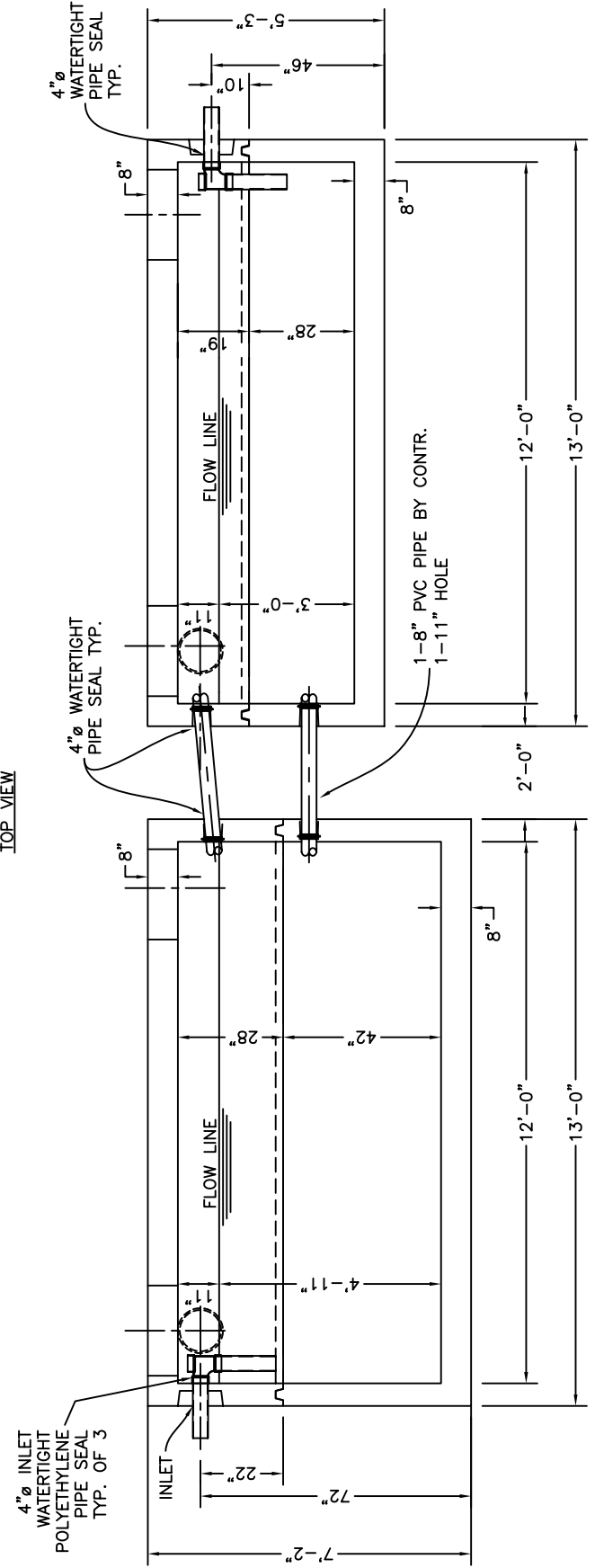
ST-ST410090-T ©

1-22-07

- SP-7
SPECIFICATIONS:
CONCRETE: 5,000 P.S.I. @ 28 DAYS.
ENRAINED AIR: 5% - 9%
STEEL: A.S.T.M. A496-A615
GRADE 60-60 KSI
ACI 318-99 TRAFFIC.
USE ACI LOAD FACTORS.
A.A.S.H.T.O. METHOD OF DESIGN. EQUIVALENT SOIL PRESSURE OF 40 (PCF).
H2O.
0 TO 6'.
3' BELOW GRADE.
- WEIGHT 2500: TOP: 16,712 LBS.
BOTTOM: 22,000 LBS.
TOTAL: 38,712 LBS.
WEIGHT 1500: TOP: 14,145 LBS.
BOTTOM: 18,007 LBS.
TOTAL: 32,152 LBS.
WEIGHT 4000: TOP: 14,145 LBS.
BOTTOM: 18,007 LBS.
TOTAL: 32,152 LBS.
- OPTIONAL ITEMS:
 EFFLUENT FILTER
 GAS DEFLECTOR
- LIVE LOAD: 0 TO 6'.
EARTH FILL: 3' BELOW GRADE.
WATER TABLE:



TOP VIEW



SECTION A-A