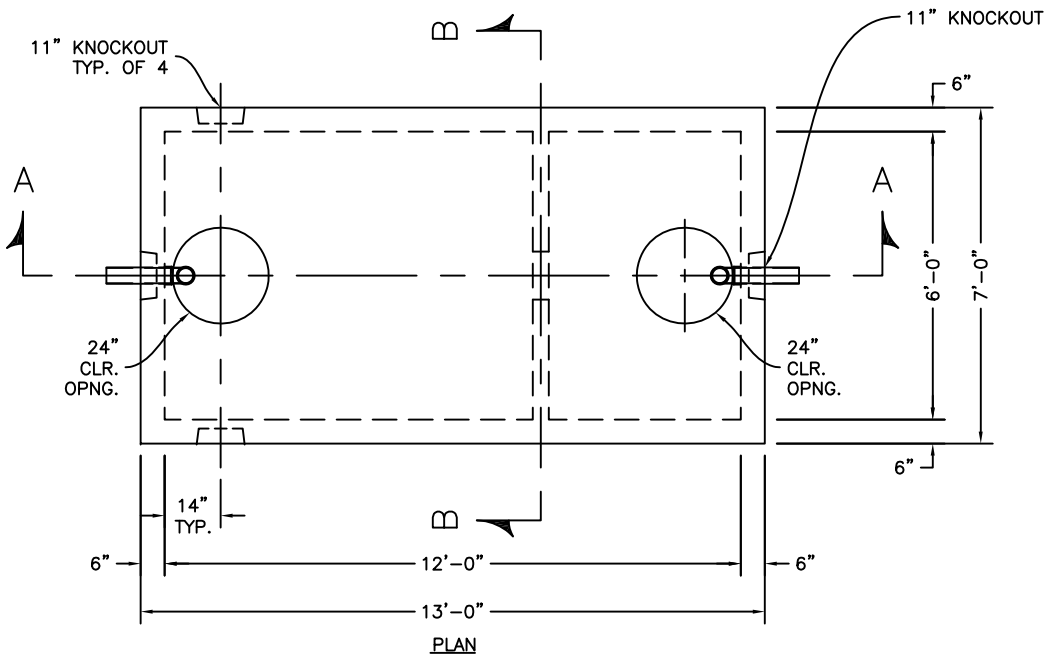




KISTNER CONCRETE PRODUCTS, INC.  
8713 READ ROAD  
E. PEMBROKE, N.Y.  
14056  
(716) 894-2267

PRODUCT DESIGNATION  
**3100 GAL. SEPTIC TANK/TRAFFIC**

DWG. NO.  
**ST-ST3100T**  
9/7/12



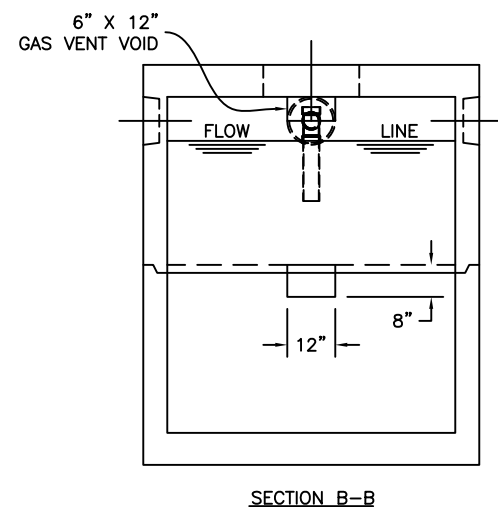
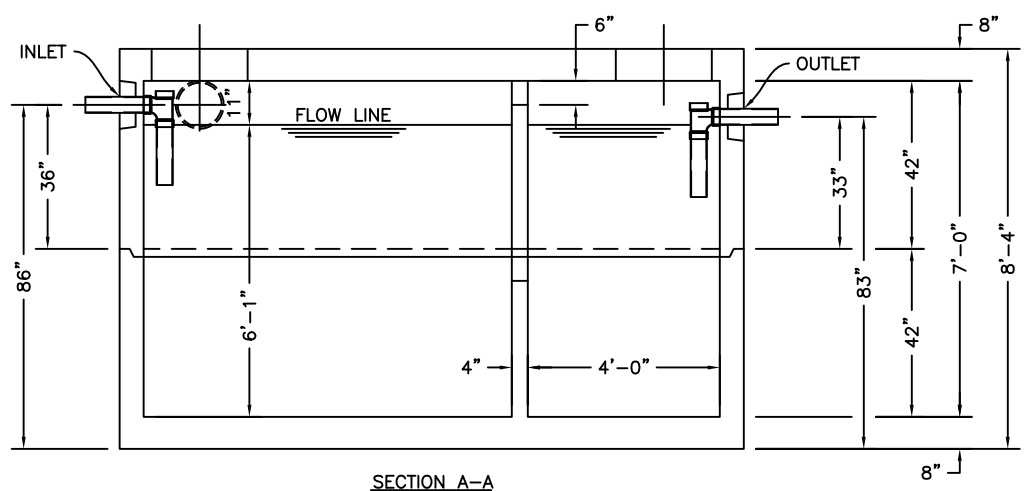
**SP-7A**  
SPECIFICATIONS:  
CONCRETE: 5,000 P.S.I. @ 28 DAYS.  
ENTRAINED AIR: 5% - 8%.  
STEEL: A.S.T.M. A496-A615  
GRADE 60-80 KSI.  
ACI 318-99 TRAFFIC. USE ACI LOAD FACTORS.  
A.A.S.H.T.O. METHOD OF DESIGN. EQUIVALENT SOIL PRESSURE OF 40 (PCF).  
DESIGN LOADING:  
LIVE LOAD: H20.  
EARTH FILL: 0 TO 6'.  
WATER TABLE: 3' BELOW GRADE.

WEIGHT:  
TOP SECTION: 20,704 LBS.  
BOTTOM SECTION: 22,000 LBS.  
TOTAL: 42,704 LBS.  
BAFFLE: 4" BY KISTNER. LARGER BY CONTRACTOR.

WATERTIGHT ASSEMBLY IS THE RESPONSIBILITY OF THE INSTALLING CONTRACTOR. ASK FOR KISTNER "WATERTIGHT JOINT INSTALLATION" DETAIL.

PIPE OPENINGS STOCK:

- PIPE SEALS REQUIRED
- 4" PVC - OPENING WITH SEAL - STOCK
- 6" PVC - OPENING STOCK - SEAL TO BE INSTALLED
- 8" PVC - OPENING STOCK - SEAL TO BE INSTALLED
- GROUTED OPENINGS ONLY - REQUIRED
- 4" PVC - OPENING WITH SEAL - STOCK
- 6" PVC - STOCK KNOCKOUT TO BE BROKEN OUT BY CONTRACTOR
- 8" PVC - STOCK KNOCKOUT TO BE BROKEN OUT BY CONTRACTOR



SECTION A-A

SECTION B-B