



KISTNER CONCRETE PRODUCTS INC.
8713 READ ROAD
E. PEMBROKE, N.Y.
14056
(716) 894-2267

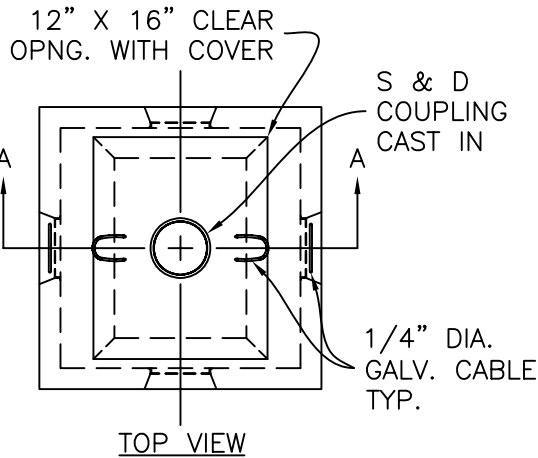
PRODUCT DESIGNATION

2'-0" X 2'-0" UTILITY TANK

DWG. NO.

ST-ST22UT ©

3-14-07



SPECIFICATIONS:

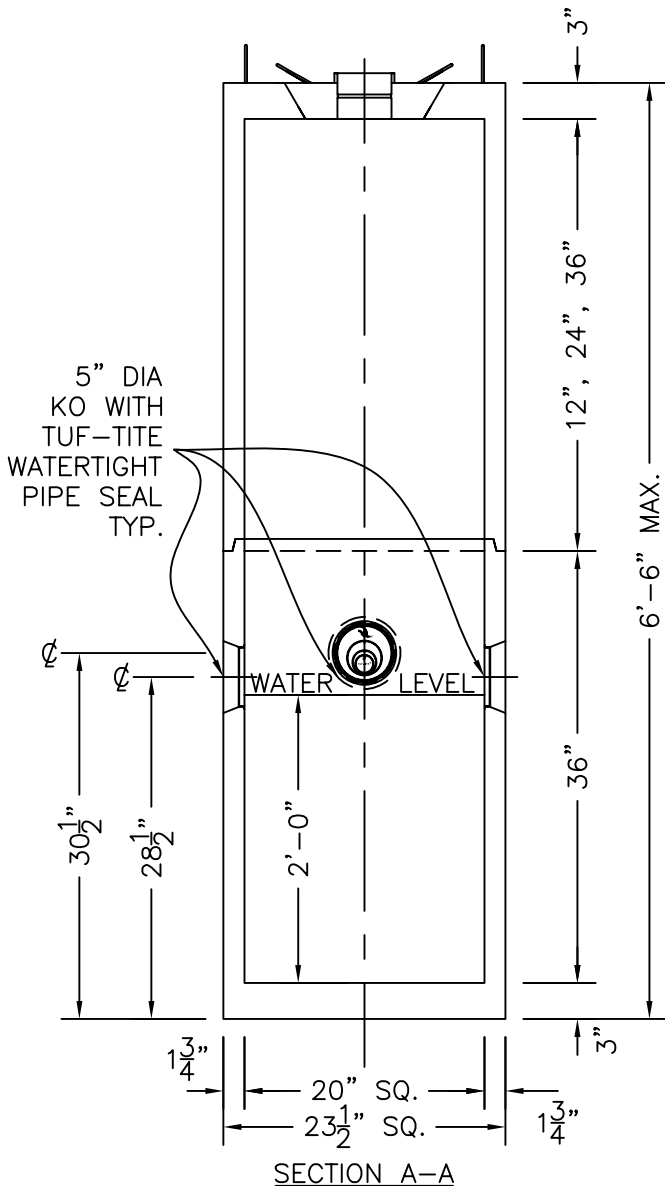
CONCRETE: 4,000 P.S.I. @ 28 DAYS.
ENTRAINED AIR: 5% - 9%.
STEEL: A.S.T.M. A496-A615 GRADE 60-60 KSI.
DESIGN LOADING: A-0.3/300PSF/WALKWAYS.
FLOTATION FORCES NOT ACCOUNTED FOR.

WEIGHTS:

2' X 2' UTILITY PLUG COVER: 70 LBS.
TOP SECTION: 1' - 300 LBS.
2' - 455 LBS.
3' - 612 LBS.
BOTTOM SECTION: 3' - 612 LBS.

WATER CAPACITY:

2' WATER = 5.58 CU. FT. = 43 GAL.
3' WATER = 8.35 CU. FT. = 64 GAL.
4' WATER = 11.16 CU. FT. = 75 GAL.
5' WATER = 13.95 CU. FT. = 86 GAL.
6' WATER = 16.67 CU. FT. = 107 GAL.
GPF - 21.5 GAL.



NOTE: TOP SECTIONS MAY BE STACKED FOR ADDITIONAL HEIGHT.