

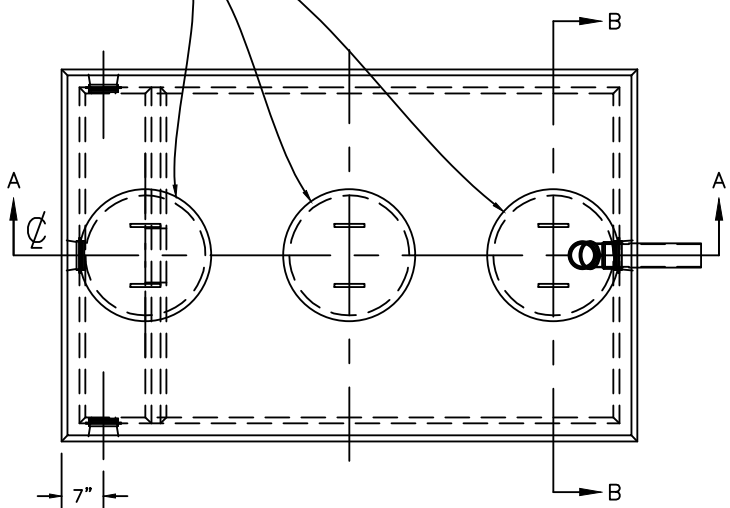


KISTNER CONCRETE PRODUCTS, INC.
 8713 READ ROAD
 E. PEMBROKE, N.Y.
 14056
 (716) 894-2267

PRODUCT DESIGNATION
 1000 GALLON SEPTIC TANK

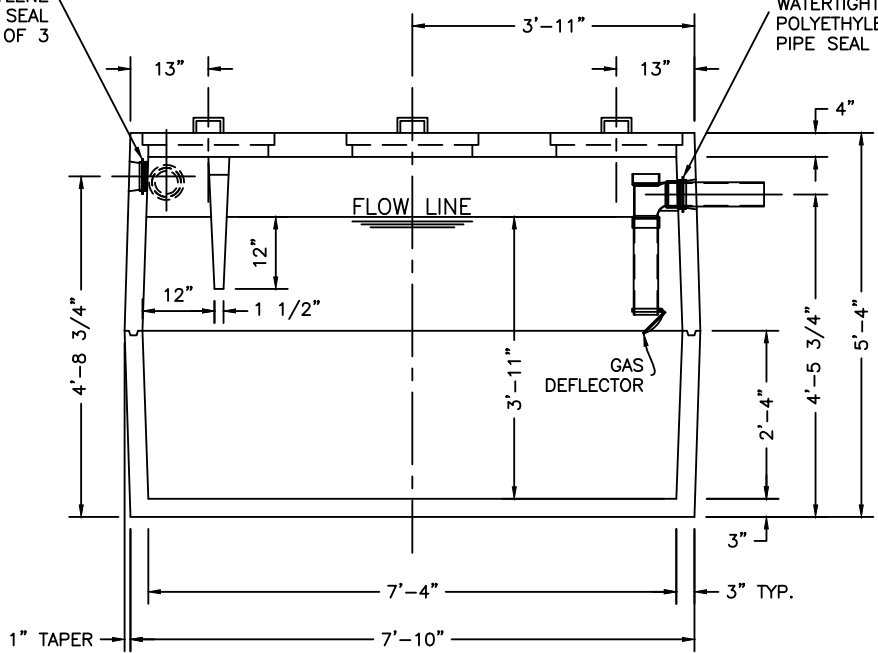
DWG. NO.
 ST1000
 1/10/07

20"Ø CLEAR OPNG.
 WITH MH COVER



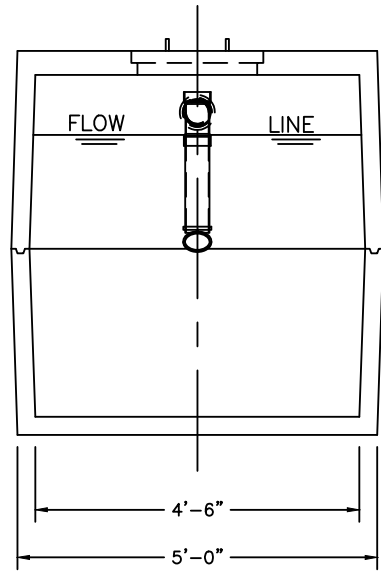
TOP VIEW

4"Ø INLET
 WATERTIGHT
 POLYETHYLENE
 PIPE SEAL
 TYP. OF 3



SECTION A-A

4"Ø OUTLET
 WATERTIGHT
 POLYETHYLENE
 PIPE SEAL



SECTION B-B

SPECIFICATIONS:

- CONCRETE: 4000 P.S.I @ 28 DAYS.
- ENTRAINED AIR: 5% - 9%
- STEEL: A.S.T.M A496-A615 GRADE 60-60KSI.
- DESIGN LOADING: A-0.3/300PSF/WALKWAYS.
- FLOTATION FORCES NOT ACCOUNTED FOR.
- WEIGHT:
 - TOP SECTION: 4,263 LBS.
 - BOTTOM SECTION: 3,733 LBS.
 - TOTAL: 7,996 LBS.
- OUTLET BAFFLE: PIPE BAFFLE BY K.C.P
- OPTIONAL ITEMS:
 - EFFLUENT FILTER
 - GAS DEFLECTOR
- COVER OVER TANK: MAX 3' OF EARTH FILL