



KISTNER CONCRETE PRODUCTS, INC.
 8713 READ ROAD
 E. PEMBROKE, N.Y.
 14056
 (716) 894-2267

PRODUCT DESIGNATION
 1000 GALLON SEPTIC TANKS -
 TWO COMPARTMENT

DWG. NO.
 ST-ST1000-II
 6-3-14

©

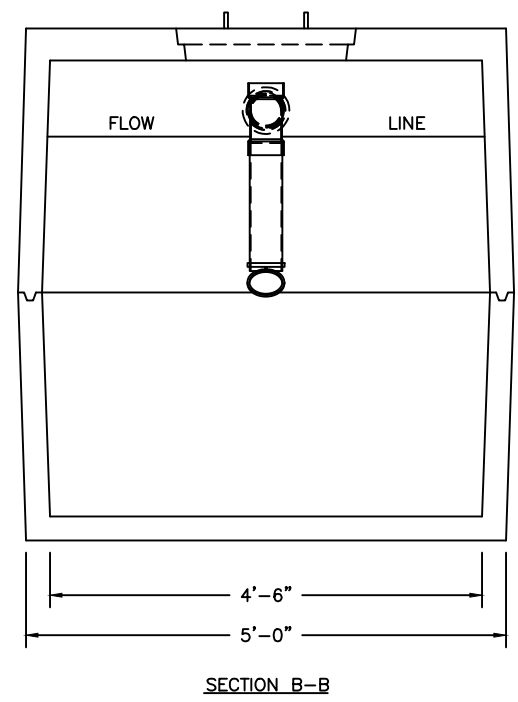
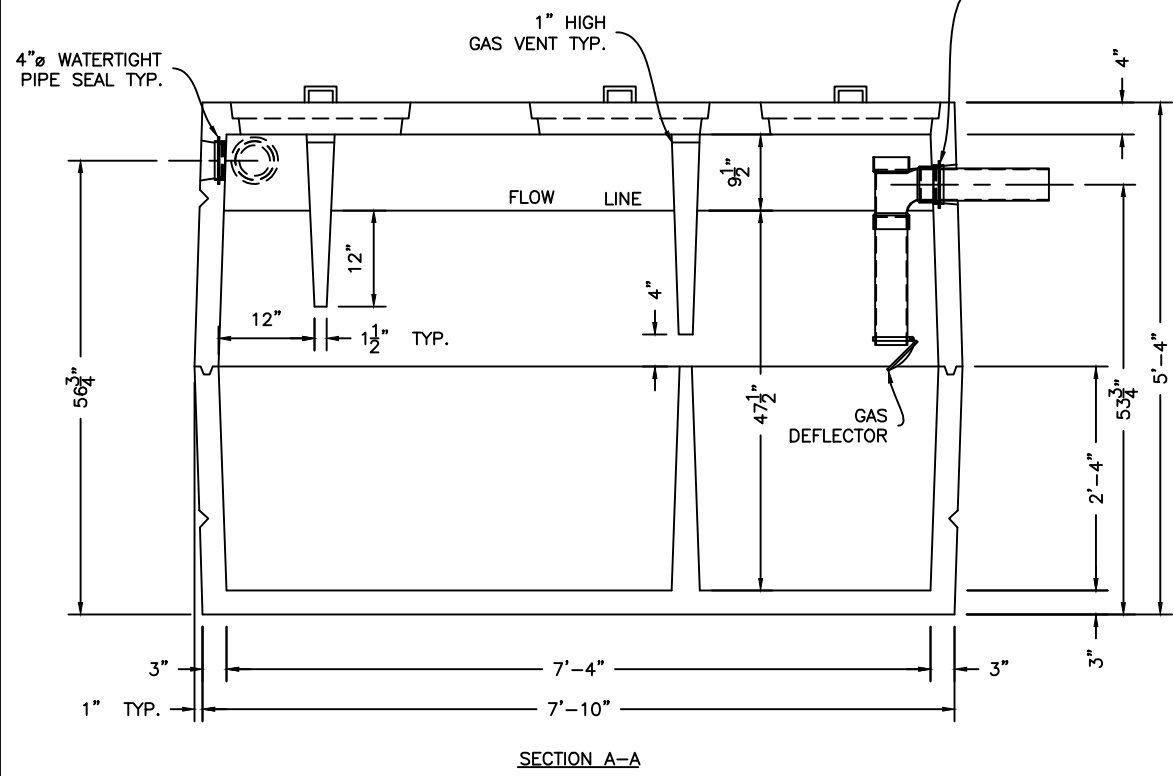
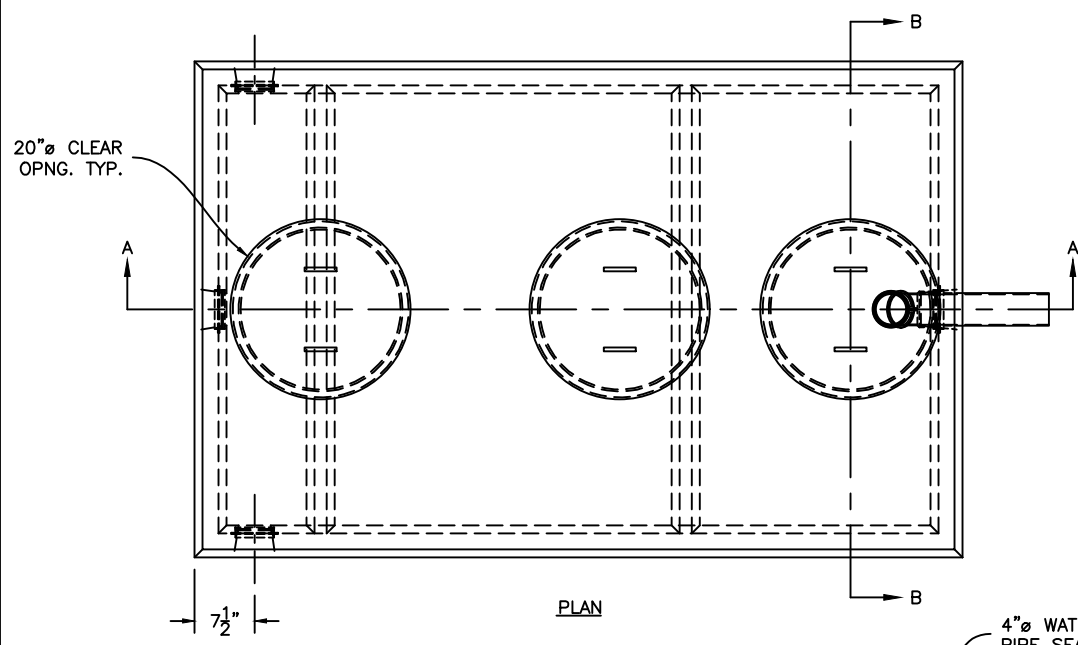
SPECIFICATIONS:
 CONCRETE: 4,000 P.S.I. @ 28 DAYS.
 ENTRAINED AIR: 5% - 9%.
 STEEL: A.S.T.M. A496-A615
 GRADE 60-60 KSI.
 DESIGN LOADING: A-0.3/300PSF/WALKWAYS.
 FLOTATION FORCES NOT ACCOUNTED FOR.

WEIGHT:
 TOP SECTION: 4,066 LBS.
 BOTTOM SECTION: 3,658 LBS.
 TOTAL: 7,724 LBS.

OUTLET BAFFLE: PIPE BAFFLE BY K.C.P.

OPTIONAL ITEMS: EFFLUENT FILTER
 GAS DEFLECTOR

COVER OVER TANK: MAX. 3' OF EARTH FILL.



L:\CADD\PRODUCTS\001a-1000 gallon tank\ST1000-II.DWG