



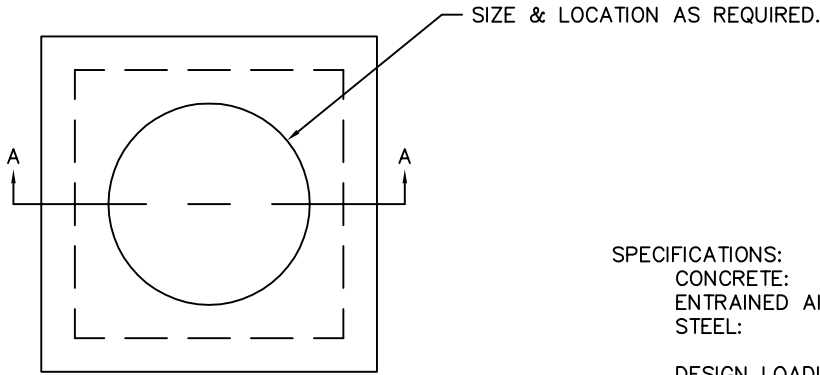
KISTNER CONCRETE PRODUCTS INC.
 8713 READ ROAD
 E. PEMBROKE, N.Y.
 14056
 (716) 894-2267

PRODUCT DESIGNATION

4'-0" X 4'-0" STANDARD SQUARE STRUCTURE

DWG. NO.

SRS-4SQ



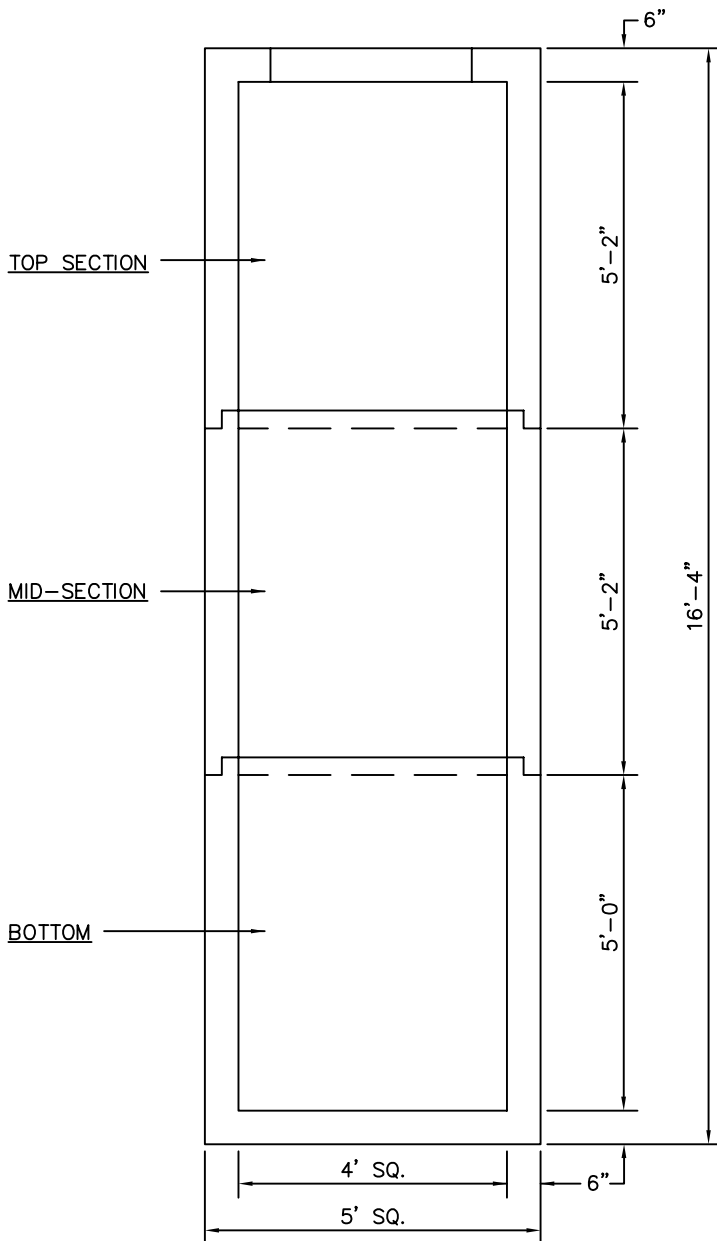
PLAN

SPECIFICATIONS:

CONCRETE: 4,000 P.S.I. @ 28 DAYS.
 ENTRAINED AIR: 5% - 9%.
 STEEL: A.S.T.M. A496-A615
 GRADE 60-60 KSI.
 DESIGN LOADING: A.A.S.H.T.O. HS-20-44
 WITH 30% IMPACT AND
 EQUIVALENT SOIL PRESSURE
 OF 130 (PSF). FLOATION
 FORCES NOT ACCOUNTED FOR.

WEIGHT:

TOP SECTION: 8,217 LBS.
 MID-SECTION: 6,889 LBS.
 BOTTOM SECTION: 8,519 LBS.
 TOTAL: 23,625 LBS.



SECTION A-A