



KISTNER CONCRETE PRODUCTS INC.  
8713 READ ROAD  
E. PEMBROKE, N.Y.  
14056  
(716) 894-2267

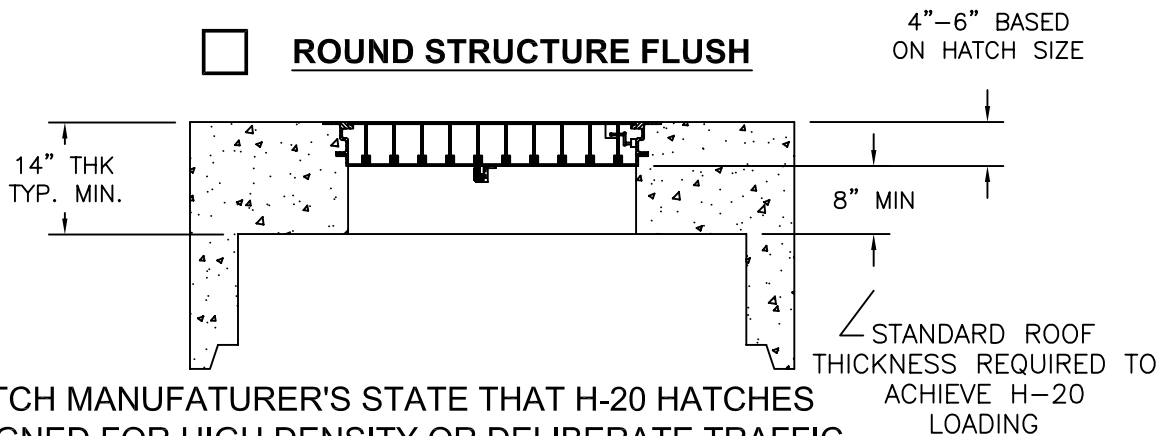
**PRODUCT DESIGNATION**

HATCH INSTALLATION PROCEDURE  
TRAFFIC - ROUND, SQUARE/RECTANGULAR STRUCTURE

**DWG. NO.**

SRS-HATINSTT ©  
1-26-07

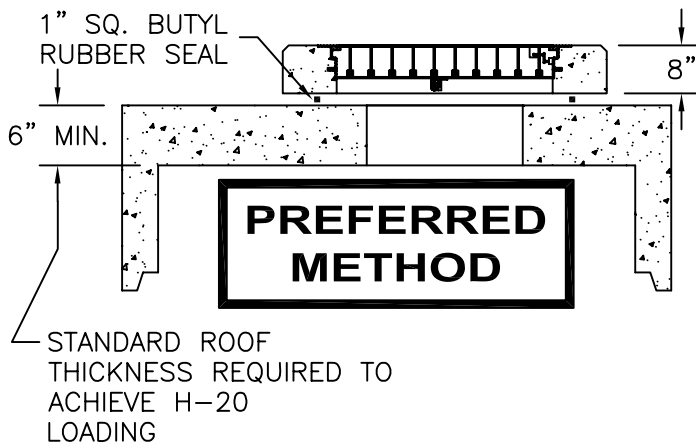
**ROUND STRUCTURE FLUSH**



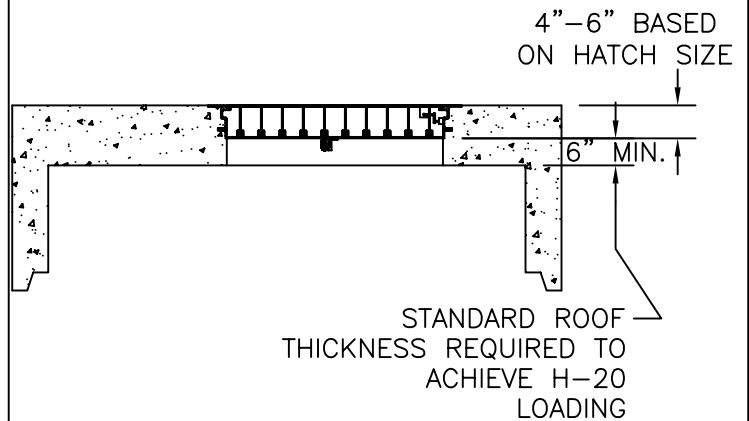
**WARNING:** HATCH MANUFACTURER'S STATE THAT H-20 HATCHES ARE NOT DESIGNED FOR HIGH DENSITY OR DELIBERATE TRAFFIC AREAS. CALL FOR OPTIONS.

**SQUARE/RECTANGLE STRUCTURE OPTIONS**

**OPTION #1 - RAISED STYLE**



**OPTION #2 - FLUSH STYLE**



**BENEFITS:**

- A) FIELD ADJUSTABILITY
- B) MOST OF STRUCTURE TO BE BURIED & HIDDEN FROM ABUSE FROM SALTS & SNOWPLOW & OTHER DAMAGE (PROCEDURE CHANGE FOLLOWED BY NYSDOT IN DRAINAGE STRUCTURES)
- C) MOST OF STRUCTURE HIDDEN FROM VIEW IN GRASS OR PAVEMENT
- D) REPLACEMENT IN FUTURE MADE EXTREMELY EASY WHEN CURB IS NOT ATTACHED
- E) WORKS IN STANDARD MOLDING SYSTEM - NO MODIFICATIONS REQUIRED
- F) EXPEDIATED DELIVERY - SINCE HATCH IS CAST INTO A SEPARATE CURB. VAULT CAN BE MANUFACTURED, INSTALLED & PLUMBED IF HATCH IS A LONG LEAD TIME - SAVING MONEY AND DELAYS ON SITE.

**DRAWBACKS:**

- A) NO FIELD ADJUSTABILITY
- B) LARGE SLAB EXPOSED IN GRASS AREAS - UNSIGHTLY
- C) LARGE SLAB EXPOSED IN PARKING AREAS - UNSIGHTLY
- D) COMPLETE SLAB EXPOSED TO SNOWPLOW DAMAGE & SALT CORROSION
- E) EXTREME ROOF THICKNESS ON LARGER UNITS MAY REQUIRE ADDITIONAL COST FOR MOLD MODIFICATIONS BEYOND MOLD ABILITIES
- F) ADDITIONAL THICKNESS MAY INCREASE PIECE WEIGHTS & CREATE ADDITIONAL PIECES WHICH INCREASE PRODUCTION & DELIVERY COSTS.
- G) CONCRETE EXPOSED SLAB IN PAVED AREA HAS SMOOTHER SURFACE THEN PAVEMENT CREATING LIABILITY DURING SLIPPERY CONDITIONS
- H) DELAYED DELIVERY FOR LONG LEAD TIMES OF CAST IN PLACE HATCH

**SEE WARNING NOTE ABOVE:**

**SEE WARNING NOTE ABOVE:**