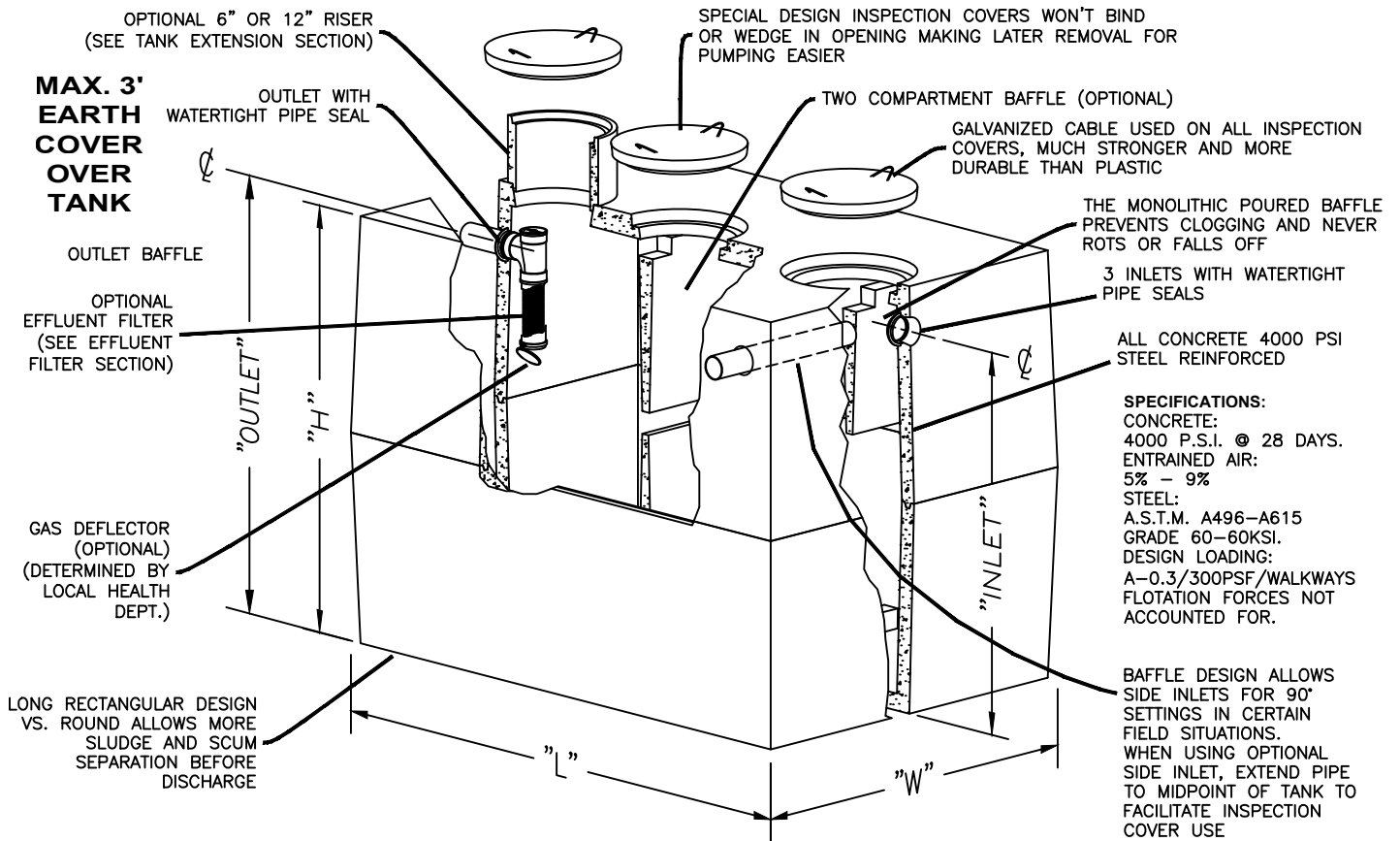




SEPTIC TANKS - NON-TRAFFIC



STANDARD - NON-TRAFFIC

DESCRIPTION	"L"	"W"	"H"	"INLET"	"OUTLET"	DWG. #	REV. DATE
300	53"	53"	46"	38"	37"	ST-ST300	1/10/2007
500	82"	40 1/2"	64"	56 1/2"	53 1/2"	ST-ST500	1/10/2007
1000 STANDARD	96"	62"	64"	56 3/4"	53 3/4"	ST-ST1000	1/10/2007
1000 2 COMPARTMENT	96"	62"	64"	56 3/4"	53 3/4"	ST-ST1000-II	1/10/2007
1250 2 COMPARTMENT	96"	62"	76"	68 1/2"	65 1/2"	ST-ST1250-II	1/10/2007
1500 2 COMPARTMENT	102"	69 3/4"	76"	68"	65"	ST-ST1500-II	1/15/2007
2000 2 COMPARTMENT	153 1/2"	82"	62 1/2"	54 5/8"	51 5/8"	ST-ST2000-II	1/15/2007
2500 2 COMPARTMENT	168"	84"	74"	61"	58"	ST-ST2500-II	1/16/2007
3100	168"	84"	86"	73"	70"	ST-ST3100LP	1/16/2007
3500	168"	84"	93"	80"	77"	ST-ST3500	1/16/2007 *
3700	168"	84"	96"	83"	80"	ST-ST3700	1/16/2007 *
400090	288"	84"	86"	73"	53 3/4"	ST-ST400090-M	1/16/2007 **
4500	168"	84"	112"	99"	96"	ST-ST4500	1/16/2007 *
5000	168"	84"	122 1/2"	109 1/2"	106 1/2"	ST-ST5000	1/16/2007 *
500090	360"	84"	86"	73"	48"	ST-ST500090	1/16/2007 **
6000	168"	84"	137 3/4"	128"	125"	ST-ST6000	1/16/2007 *

LOW PROFILE - NON-TRAFFIC

DESCRIPTION	"L"	"W"	"H"	"INLET"	"OUTLET"	DWG. #	REV. DATE
1000 2 COMPARTMENT	126 1/2"	60 1/2"	56 3/4"	46 3/4"	44 3/4"	ST-ST1000-II-LP	1/10/2007
1250 2 COMPARTMENT	126 1/2"	60 1/2"	64 1/2"	55"	53"	ST-ST1250-II-LP	1/10/2007
1500 2 COMPARTMENT	126 1/2"	60 1/2"	71"	64"	62"	ST-ST1500-II-LP	1/15/2007
2000 2 COMPARTMENT	168"	84"	64"	51"	48"	ST-ST2000-II-LP	1/15/2007

* DEVIATES FROM CURRENT NYSDEC GUIDELINES.

**SEE DRAWING FOR PROPER EXCAVATION