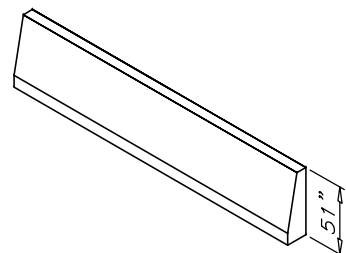
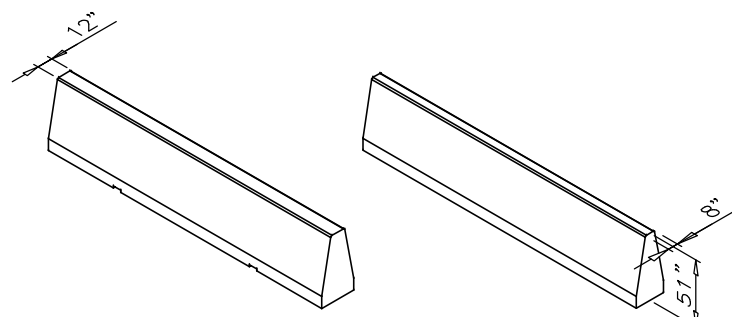


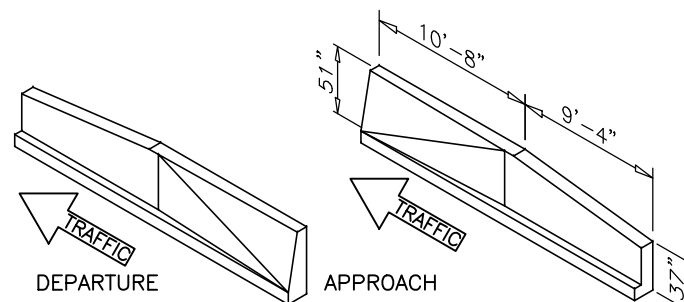
L:\CAD\PRODUCTS\026-Barrier-Single Slope\Barrier-Product Cycle Master Workbook_R4.dwg



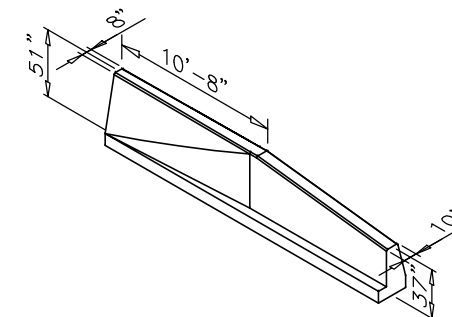
SS HALF SECTION BARRIER



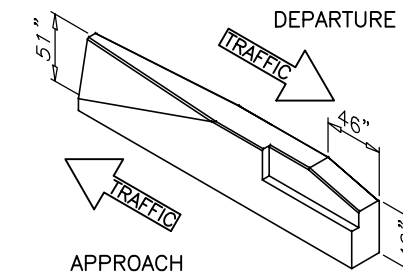
SS FULL SECTION BARRIER



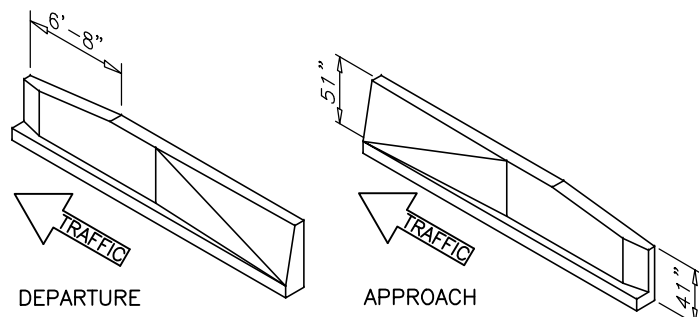
SS HALF SECTION TO BOX BEAM



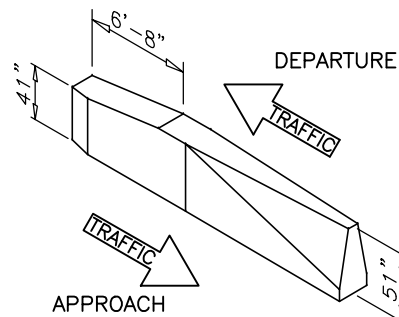
SS FULL SECTION TO BOX BEAM



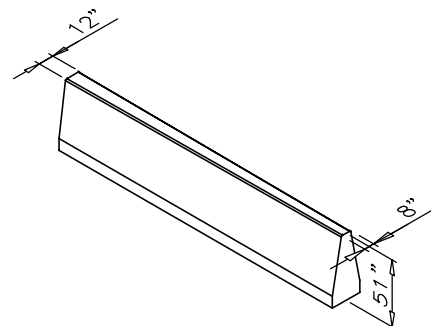
SS FULL TO BOX BEAM MEDIAN



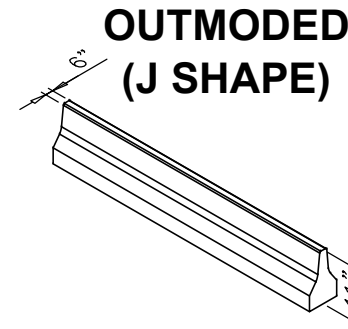
SS HALF SECTION TO HPBO RAIL



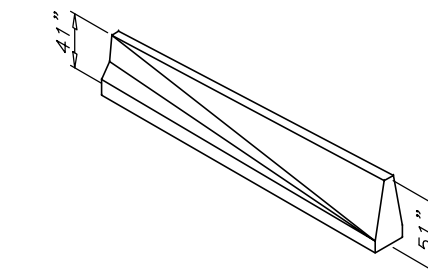
SS FULL TO HPBO



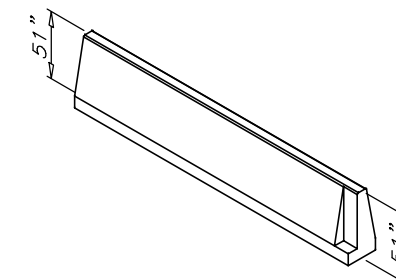
TRANSITION: WIDE-NORMAL
WIDTH SS MEDIAN



TYPE A BARRIER



SS 51" FULL TO 41" J SHAPE -
20' FULL TRANSITION



HALF-SECTION TO
FULL-SECTION SS



**KISTNER
CONCRETE
PRODUCTS, INC.**

5550 HINMAN ROAD
LOCKPORT, NEW YORK 14094
PHONE 716-434-6157

4	12/29/22	ADDED WEB PRES. SHEET W1
REV. NO.	DATE	DESCRIPTION

DRAWN BY:	DATE:
MAK	12/29/22
CK'D BY:	SCALE:
MJK	N.T.S.

PROJECT:
**PERMANENT BARRIER PRODUCT
CYCLE MASTER WORKBOOK**

SHEET TITLE:
**SINGLE SLOPE BARRIER
WEB PRESENTATION SHEET**

SHEET NO:
W1
FILE NAME:
**SS BARR PROD CYCLE
MASTER WKBK_R4**