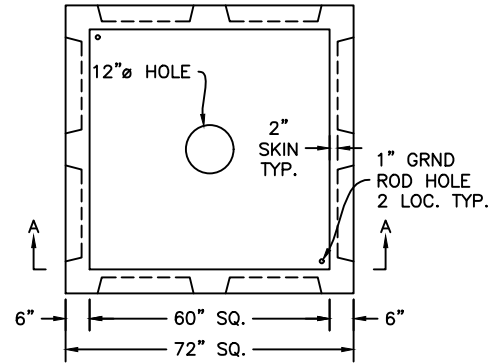
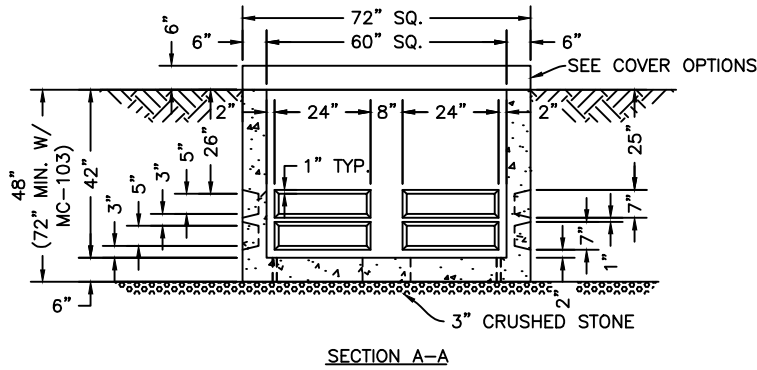




RG&E TRANSFORMER VAULT & PAD

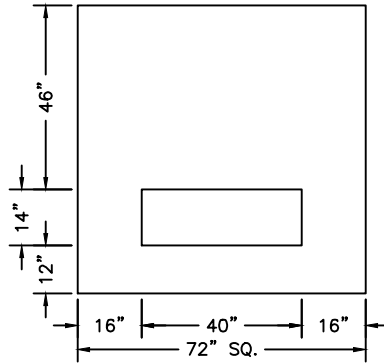


PLAN - MANHOLE
#TVP-55VF

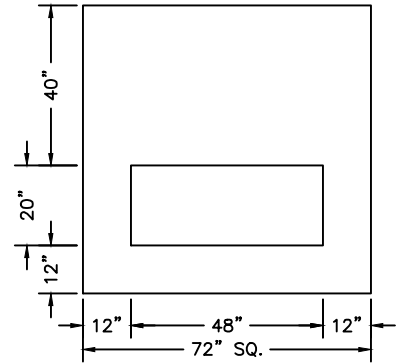
- SPECIFICATIONS:**
CONCRETE: 4,000 P.S.I. @ 28 DAYS.
ENTRAINED AIR: 5% - 9%.
STEEL: #4 @ 12" O.C.E.W.
 A.S.T.M. A496-A615
 GRADE 60-60 KSI.
DESIGN LOADING: A-0.3/300PSF/WALKWAYS.
 FLOTATION FORCES NOT ACCOUNTED FOR.

- NOTES:**
 1. COVERS ARE 6" THICK.
 2. MANHOLES AND COVERS ARE STOCK ITEMS.

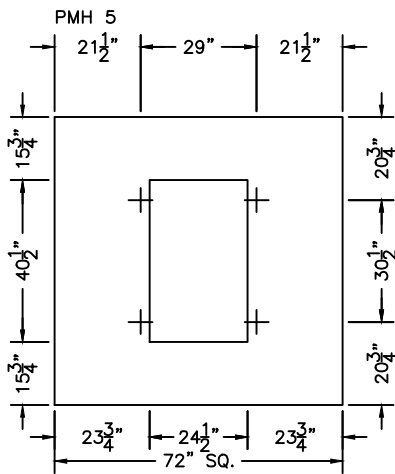
COVER OPTIONS



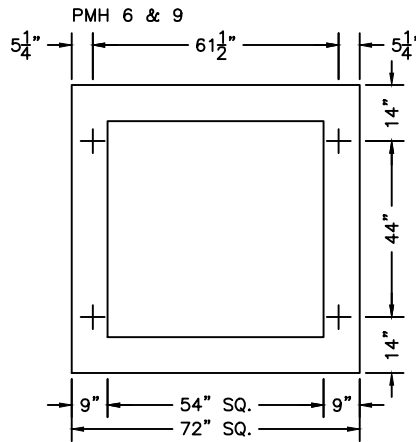
PLAN
TRANSFORMER COVER FOR 75-500 KVA
#TP-RGE101



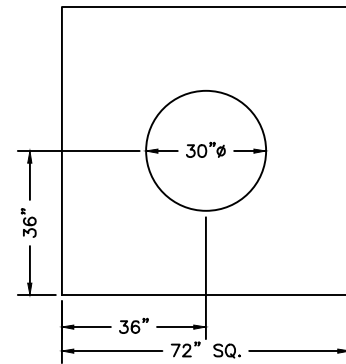
PLAN
TRANSFORMER COVER FOR 75 & 1000 KVA
#TP-RGE101M



PLAN
MANHOLE COVER
#TP-RGESP



PLAN
MANHOLE COVER
#TP-RGESP



PLAN
MANHOLE COVER
#TP-RGESP

L:\CADD\Town_Specific Drawings\SSCPL\Electric\RGENYSEG_R1.dwg