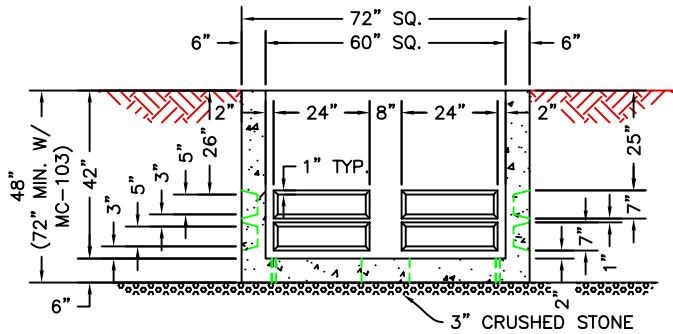


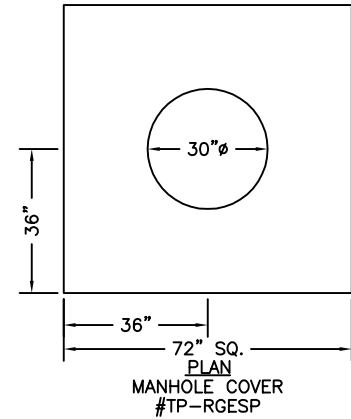
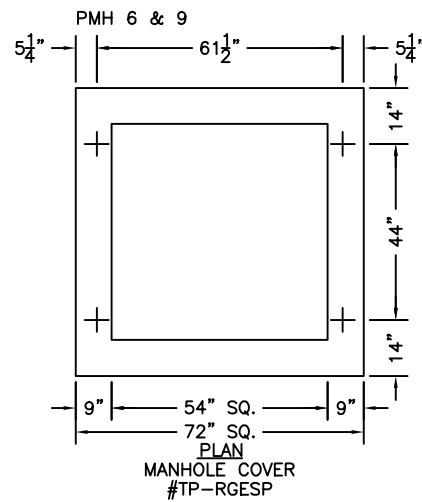
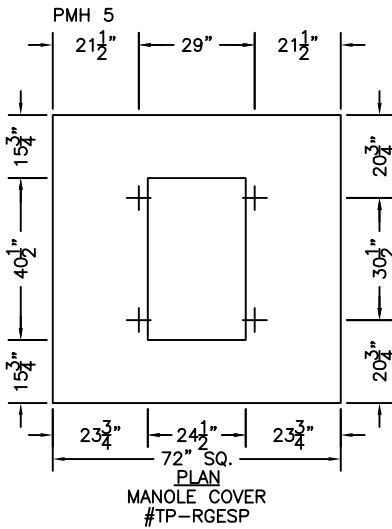
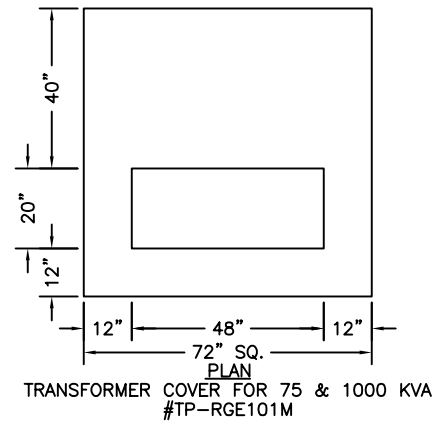
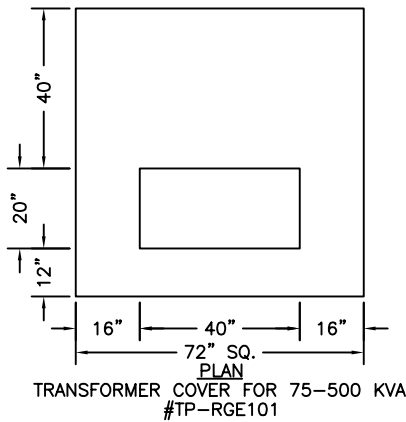
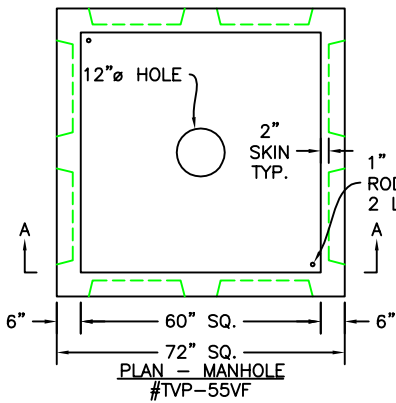


RG&E/NYSE&G TRANSFORMER/VAULT PAD



SECTION A-A

SPECIFICATIONS:
 CONCRETE: 4,000 P.S.I. @ 28 DAYS.
 ENTRAINED AIR: 5% - 9%.
 STEEL: #4 @ 12" O.C.E.W.
 A.S.T.M. A496-A615
 GRADE 60-60 KSI.
 DESIGN LOADING: A-0.3/300PSF/WALKWAYS.
 FLOTATION FORCES NOT ACCOUNTED FOR.



NOTES:

- COVERS ARE 6" THICK.
- THIS MANHOLE AND COVERS ARE NOT STOCK ITEMS. THEY SHOULD BE ORDERED AHEAD OF TIME AND DELIVERED TO THE JOB SITE.
- THIS FOUNDATION IS FOR UD USE ONLY AND IS NOT TO BE USED WITHIN HIGHWAY RIGHT-OF-WAYS.
- CUSTOMER-INSTALLED FOUNDATIONS TO INCLUDE 2 - 5/8" X 8' DRIVEN GROUND RODS.
- SEE NOTES ON DIAG. 25-300 FOR OTHER REQUIREMENTS.
- TOP MUST BE LEVEL FOR PROPER EQUIPMENT OPERATION.
- FOR SWITCH GEAR, THIS PRECAST FOUNDATION IS TO BE INSTALLED FOR URD CABLE ONLY. WHEN CONDUIT IS USED, INSTALL 6' X 10' PRECAST MANHOLE PER 25-290.
- COIL 15' OF CABLE IN MANHOLE.
- 10' CLEARANCE TO BE MAINTAINED FROM FRONT OF TRANSFORMER.
- 10' CLEARANCE TO BE MAINTAINED FROM BOTH FRONT AND REAR OF PAD MOUNT SWITCH.