



KISTNER CONCRETE PRODUCTS INC.
8713 READ ROAD
E. PEMBROKE, N.Y. 14056
(716) 894-2267

PRODUCT DESIGNATION

RESIDENTIAL DOSING TANK - LOW VOLUME

DWG. NO.

DC-RESDT-LV ©

11-10-97

SPECIFICATIONS:

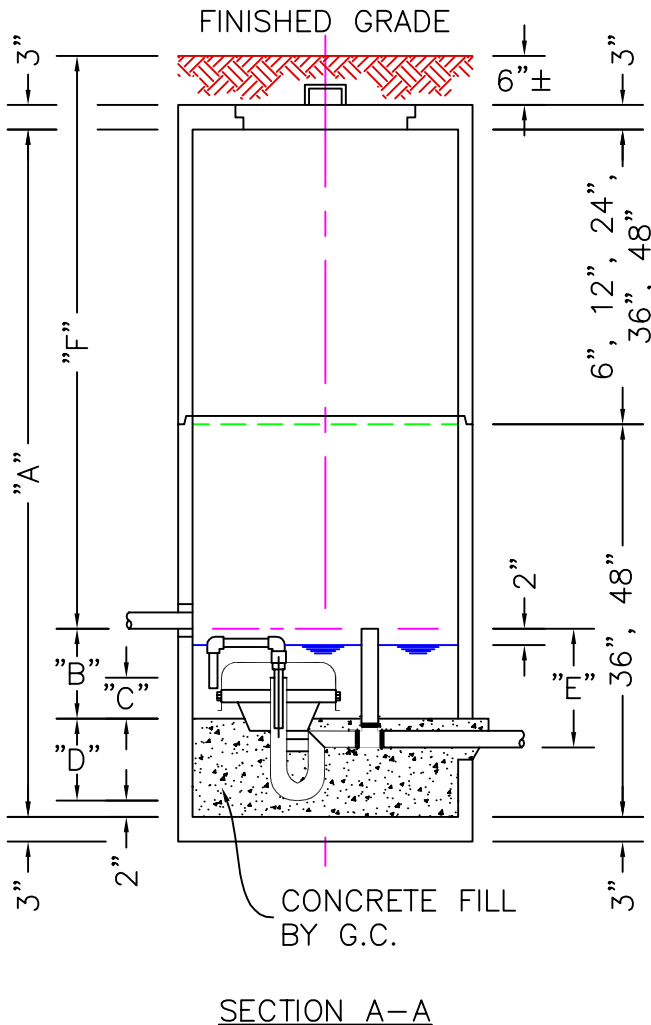
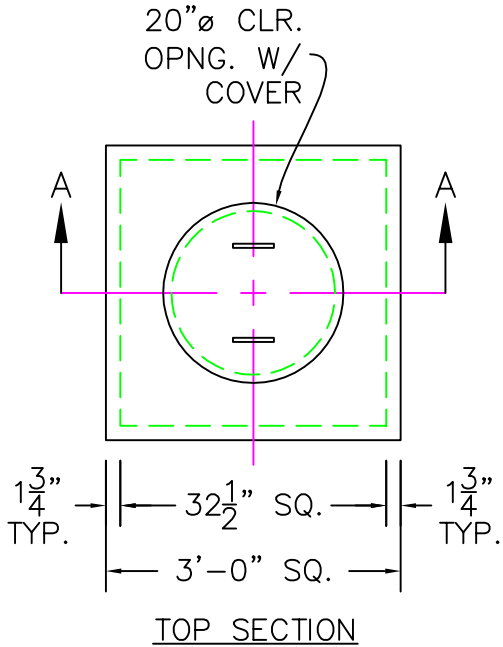
CONCRETE: 4,000 P.S.I. @ 28 DAYS.
ENTRAINED AIR: 5% - 9%.
STEEL: A.S.T.M. A496-A615 GRADE 60-60 KSI.
DESIGN LOADING: A-0.3/300PSF/WALKWAYS.
FLOTATION FORCES NOT ACCOUNTED FOR.

WEIGHTS:

TOP SECTION:
= 6" - 537 LBS.
= 1' - 673 LBS.
= 2' - 945 LBS.
= 3' - 1,217 LBS.
= 4' - 1,489 LBS.
BOTTOM SECTION:
= 3' - 1,217 LBS.
= 4' - 1,489 LBS.

WATER CAPACITY:

3' WATER = 22 CU. FT. = 165 GAL.
4' WATER = 30 CU. FT. = 220 GAL.
5' WATER = 37 CU. FT. = 275 GAL.
6' WATER = 44 CU. FT. = 330 GAL.
7' WATER = 51 CU. FT. = 385 GAL.



SYPHON	GAL. DOSE	"A"	"B"	"C"	"D"	"E"	"F"
207	31		11"	5"	10"	14.5"	
313	57		18"	7.5"	16"	22.5"	

"A" - BASED ON "F" DIMENSION.
"F" - BASED ON SITE SPECIFICATIONS.