



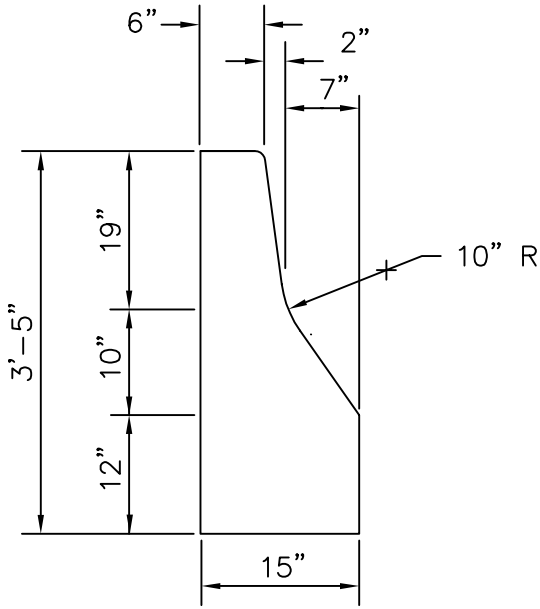
KISTNER CONCRETE PRODUCTS INC.
8713 READ ROAD
E. PEMBROKE, N.Y.
14056
(716) 894-2267

PRODUCT DESIGNATION

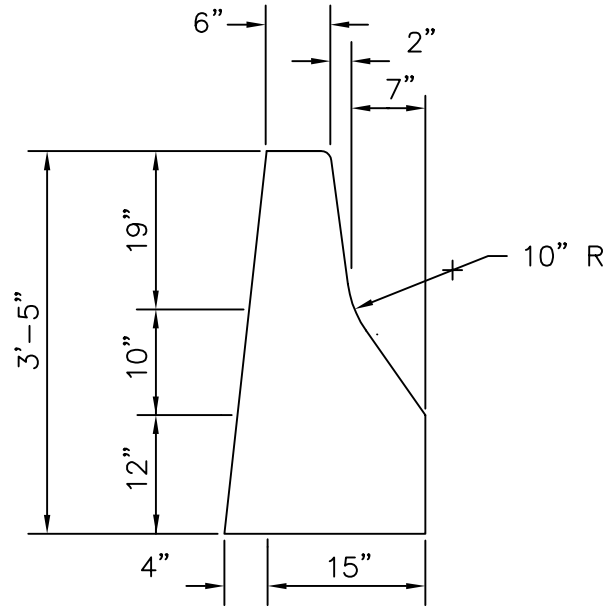
PERMANENT PRECAST CONCRETE
HALF SECTION BARRIER

DWG. NO.

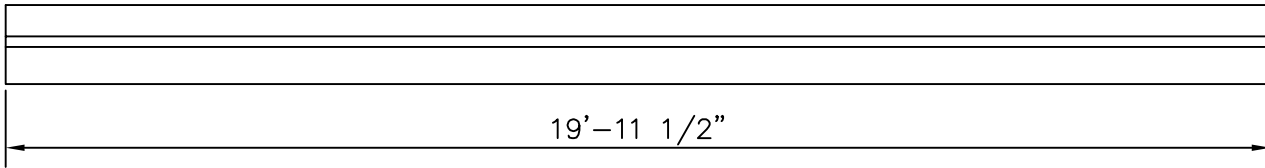
MB-5-6 ©



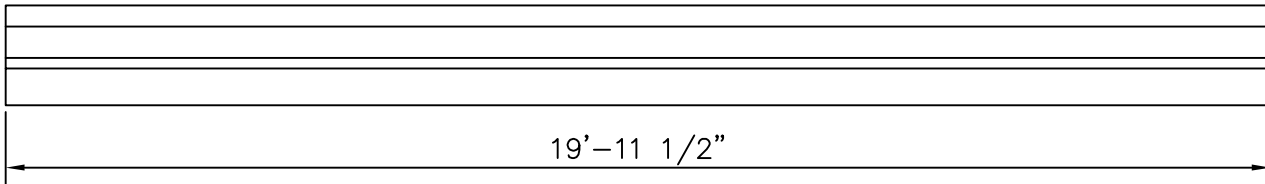
END VIEW - TYPE I



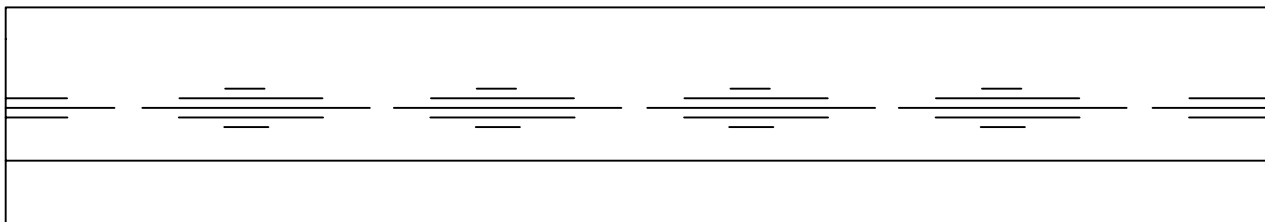
END VIEW - TYPE II



PLAN VIEW - TYPE I



PLAN VIEW - TYPE II



ELEVATION - TYPE I & II

NOTE:

FOR ALL DETAILS, DIMENSIONS, AND OTHER
INFORMATION SEE N.Y.S.D.O.T. DWG. 606-21(HALF SECTION)

WEIGHT: I - 8000 LBS.

II - 9480 LBS.