



KISTNER CONCRETE
PRODUCTS INC.
8713 READ ROAD
E. PEMBROKE, N.Y.
14056
(716) 894-2267

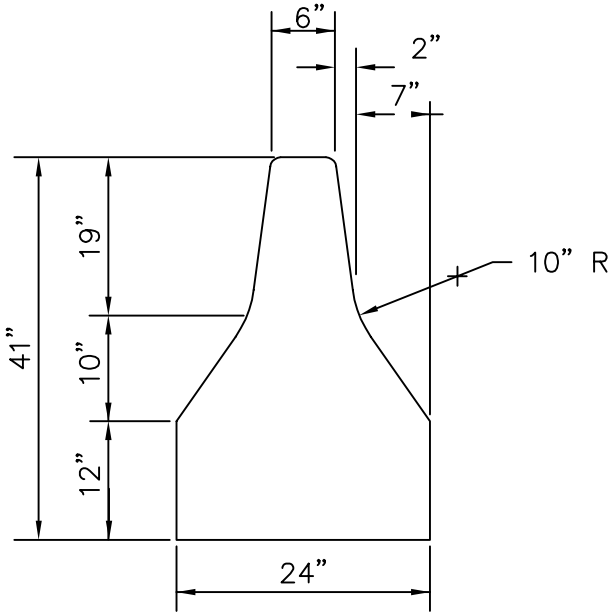
PRODUCT DESIGNATION

PERMANENT PRECAST CONCRETE
FULL SECTION BARRIER

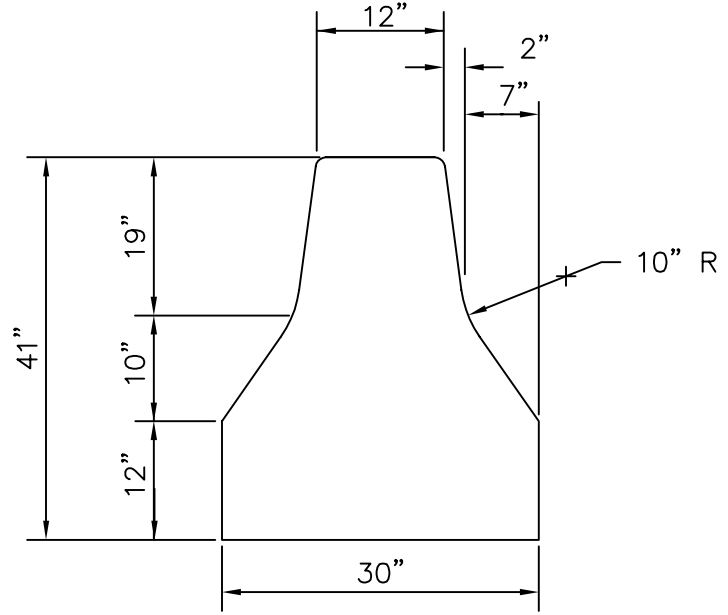
DWG. NO.

MB-3
5-18-89

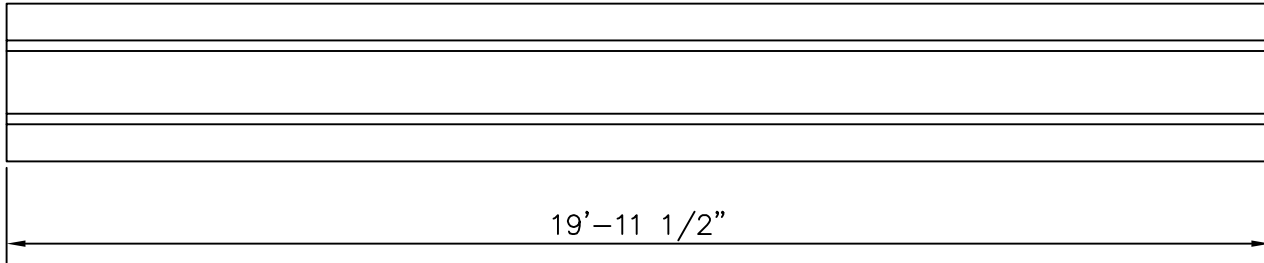
©



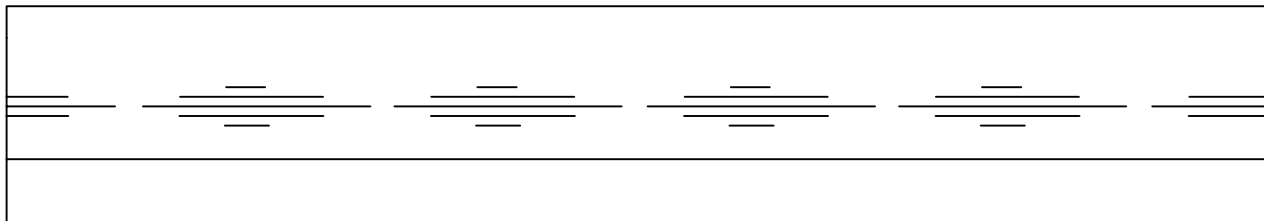
END VIEW



END VIEW



PLAN VIEW



ELEVATION

NOTE:

FOR ALL DETAILS, DIMENSIONS, AND OTHER
INFORMATION SEE N.Y.S.D.O.T. DWG. 606-21(TYPE-A)

WEIGHT: 6" - 11840 LBS.

12" - 16900 LBS.