

Project: **10k, 17k, 20k, & 27k GALLON SEPTIC TANKS -  
12K, 14k, 24k to 26k GALLON EFFLUENT/UTILITY TANK  
& KAST-POD SW-DRRTS**

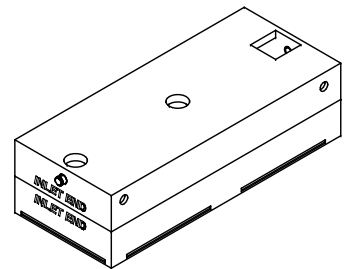
Location: **KCP LOCKPORT**

# PRESENTATION PACKAGE

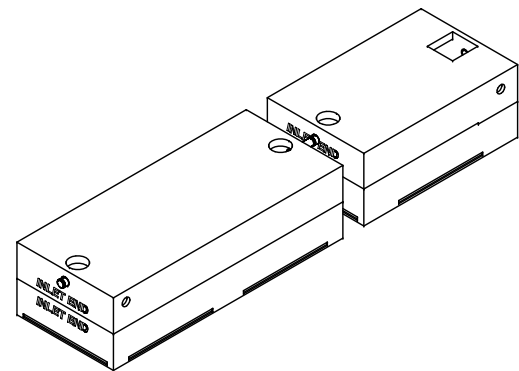
**SHEET NO.**

**DESCRIPTION**

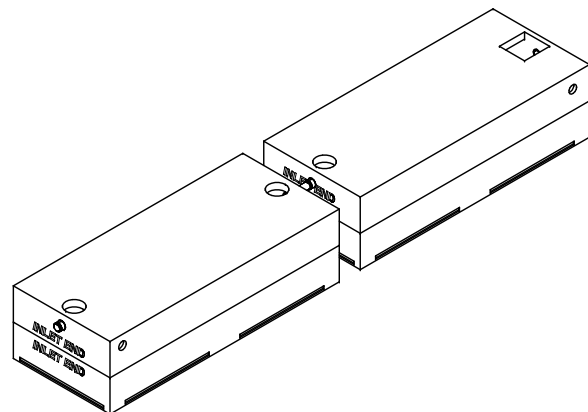
P-1	SEPTIC TANK PRESENTATION TITLE SHEET & INDEX
P-2	10,000 GALLON SEPTIC TANK PRESENTATION DETAILS
P-3	17,000 GALLON SEPTIC TANK PRESENTATION DETAILS
P-4	20,000 GALLON 5050 SEPTIC TANK PRESENTATION DETAILS
P-5	20,000 GALLON 6633 SEPTIC TANK PRESENTATION DETAILS
P-6	27,000 GALLON SEPTIC TANK PRESENTATION DETAILS
P-15	CAST IN PLACE BOUYANCE COLLAR PRESENTATION DETAILS
P-16	FILED LIFT DETAILS



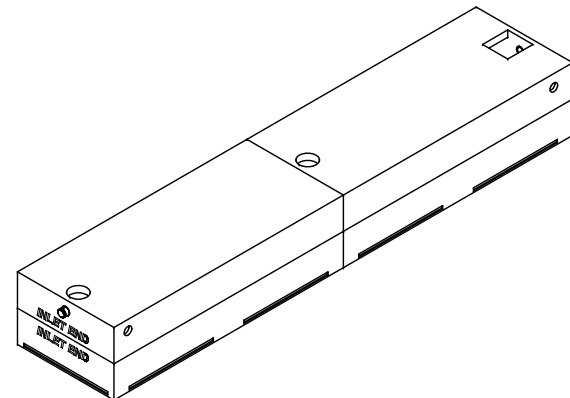
**10K - SEPTIC TANK**  
(OUTSIDE DIMENSIONS:  
27'-4"L x 11'-6"W x 7'-6"H)



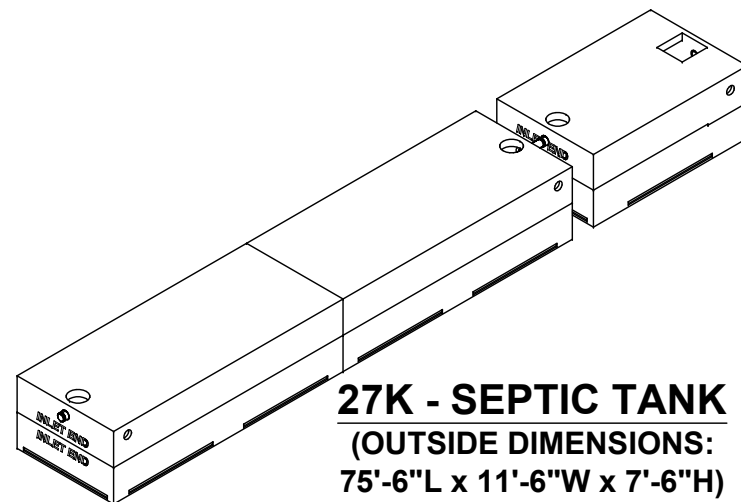
**17K - SEPTIC TANK**  
(OUTSIDE DIMENSIONS:  
48'-2"L x 11'-6"W x 7'-6"H)



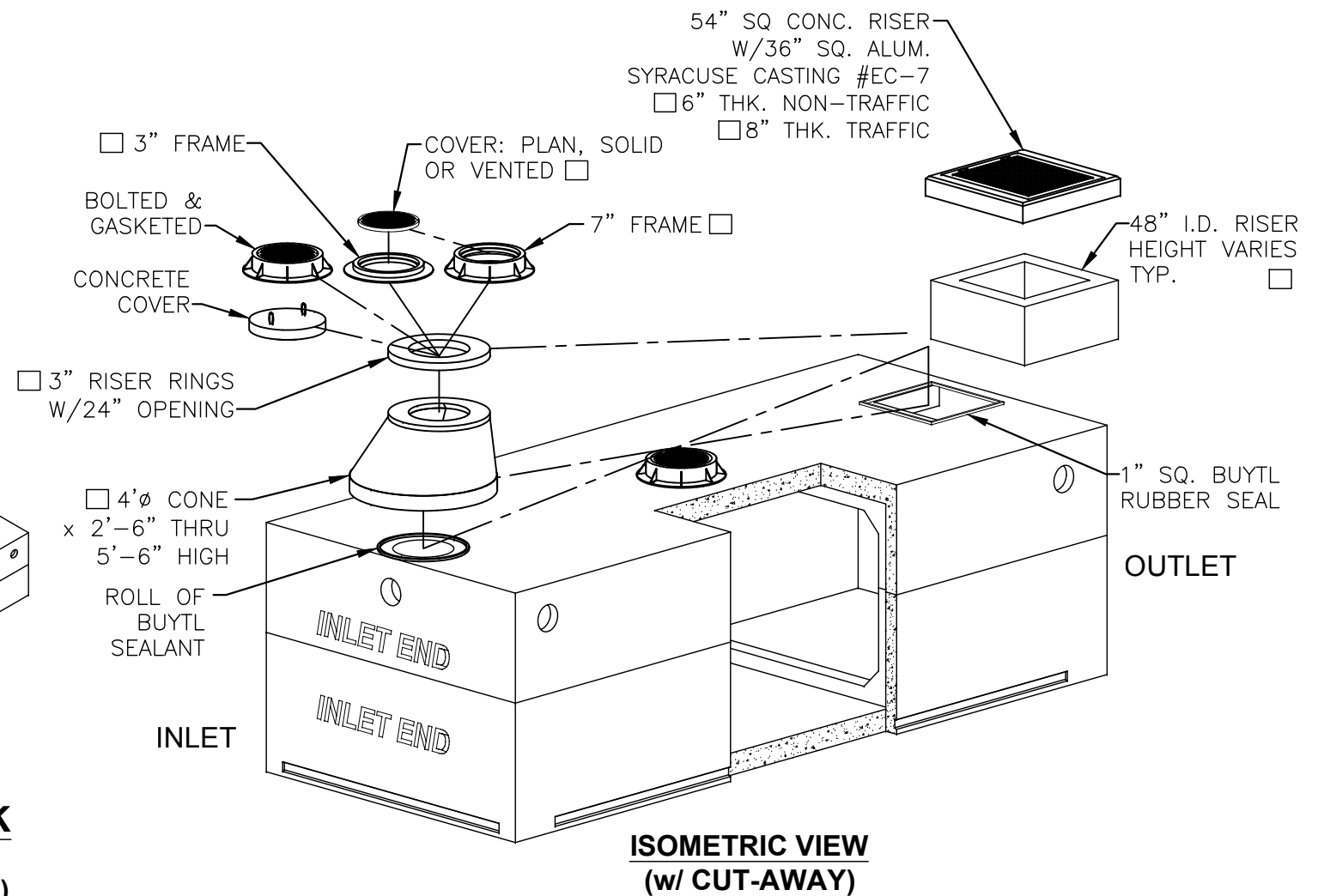
**20K-5050 - SEPTIC TANK**  
(OUTSIDE DIMENSIONS:  
57'-2"L x 11'-6"W x 7'-6"H)



**20K-66-33 - SEPTIC TANK**  
(OUTSIDE DIMENSIONS:  
54'-8"L x 11'-6"W x 7'-6"H)



**27K - SEPTIC TANK**  
(OUTSIDE DIMENSIONS:  
75'-6"L x 11'-6"W x 7'-6"H)

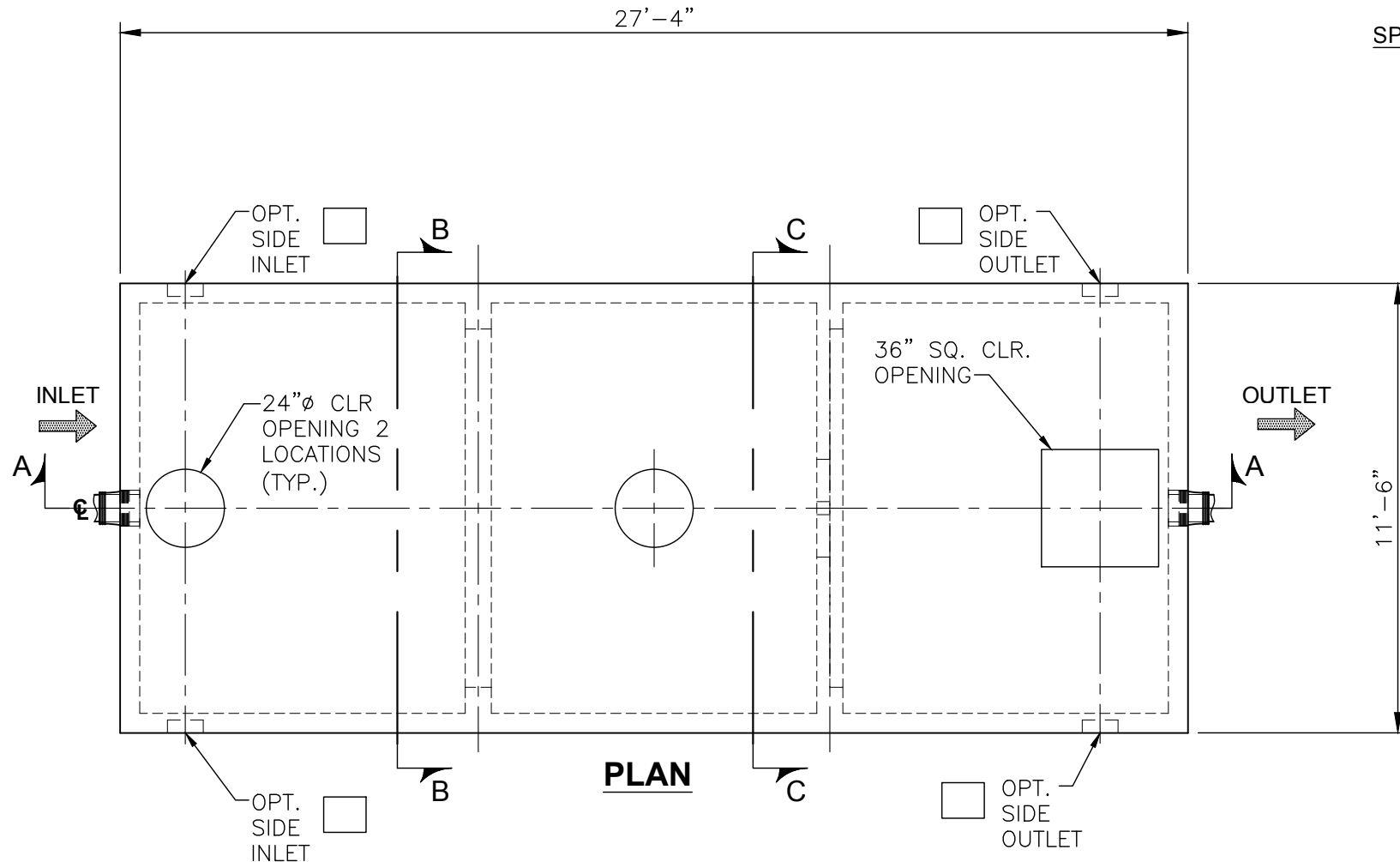


MASTER - PRES.

L:\CADD\PRODUCTS\SQUARE AND RECTANGULAR STRUCTURES\VAULTS\10K-20K SEPTIC TANK WORKBOOK - PRESENTATION PACKAGE.dwg

	<b>KISTNER CONCRETE PRODUCTS, INC.</b> 5550 HINMAN ROAD LOCKPORT, NEW YORK 14094 PHONE 716-434-6157	1	1/16/19	PER D.E.C. 2014	DRAWN BY: MAT	DATE: 1/18/19	PROJECT: 10K TO 26K SEPTIC / EFFLUENT / UTILITY TANKS - PRESENTATION WORKBOOK	SHEET TITLE: SEPTIC TANK PRESENTATION TITLE & INDEX	SHEET NO: P-1
		REV. NO.	DATE	DESCRIPTION	CK'D BY: MJK	SCALE: N.T.S.			FILE NAME: 10k-26k ST-EFF TANK-SW_R5

27'-4"



**SPECIFICATIONS:**

**CONCRETE:** 5,000 PSI @ 28 DAYS

**ENTRAINED AIR:** 5%-9%

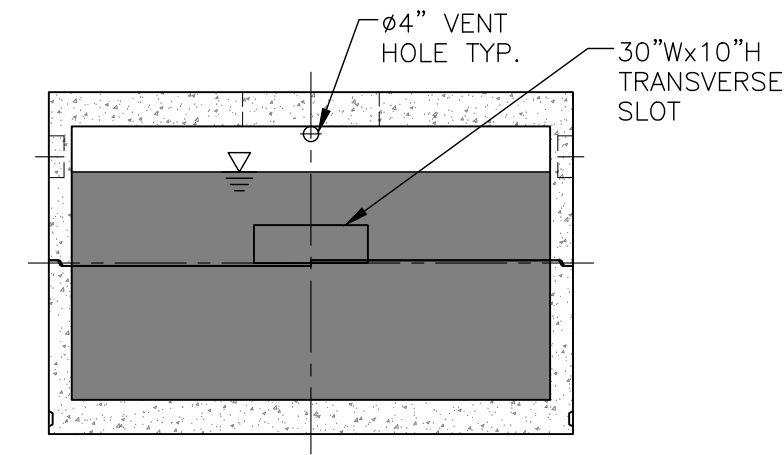
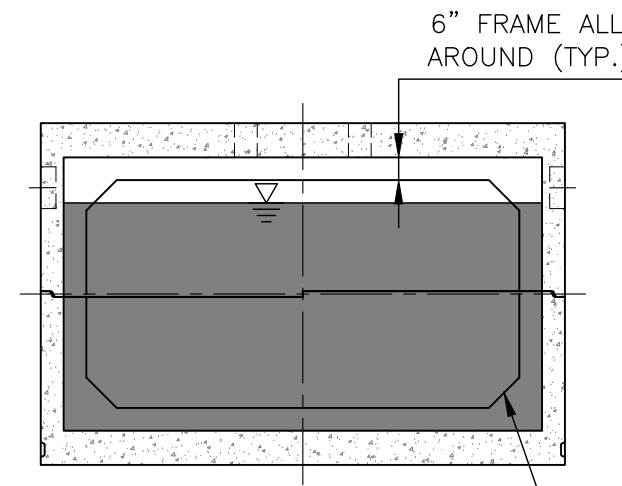
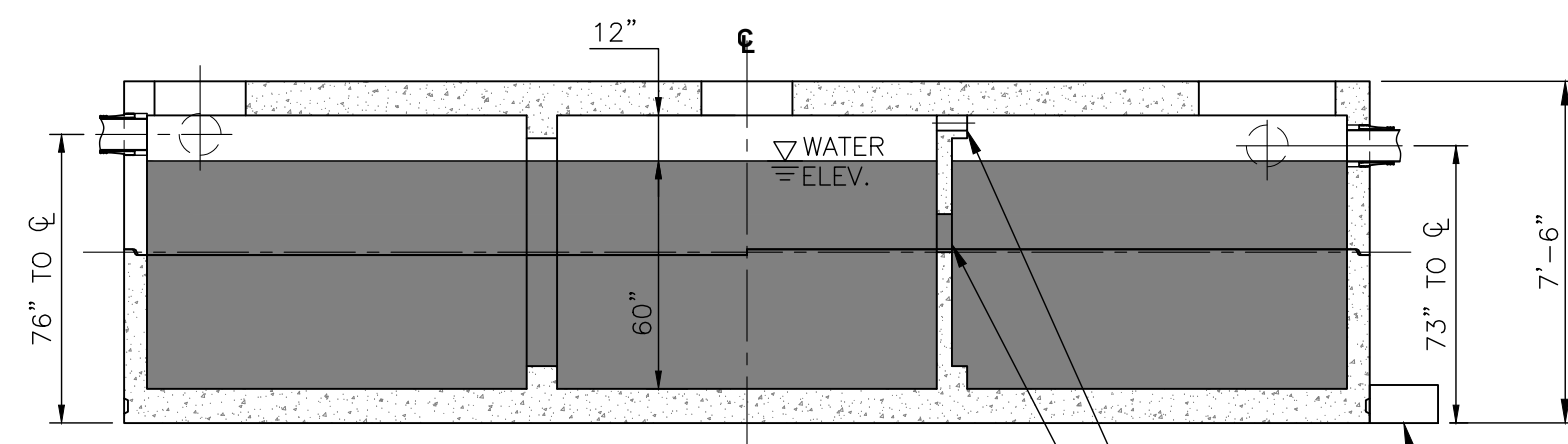
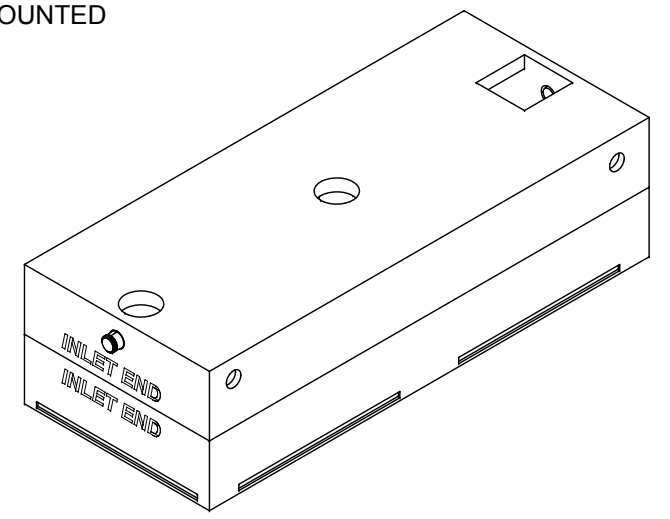
**STEEL:** ASTM A496-A615 GRADE 60-60 KSI.

**DESIGN LOADING:** AASHTO HS-20-44 WITH 30% IMPACT AND EQUIVALENT SOIL PRESSURE OF 30 PCF. 6 FT. OF FILL OVER TOP OF TANK.

**FLOATATION FORCES:** WATER TABLE 3 FT. DOWN FROM GRADE. FLOATATION FORCES NOT ACCOUNTED FOR.

**WEIGHTS:** TOP: 53,200 LBS  
BOTTOM: 55,000 LBS  
TOTAL: 108,200 LBS

DISTANCE FROM FLOOR TO HOLE INVERT		GALLONAGE
INLET	OUTLET	
63"	60"	10,000

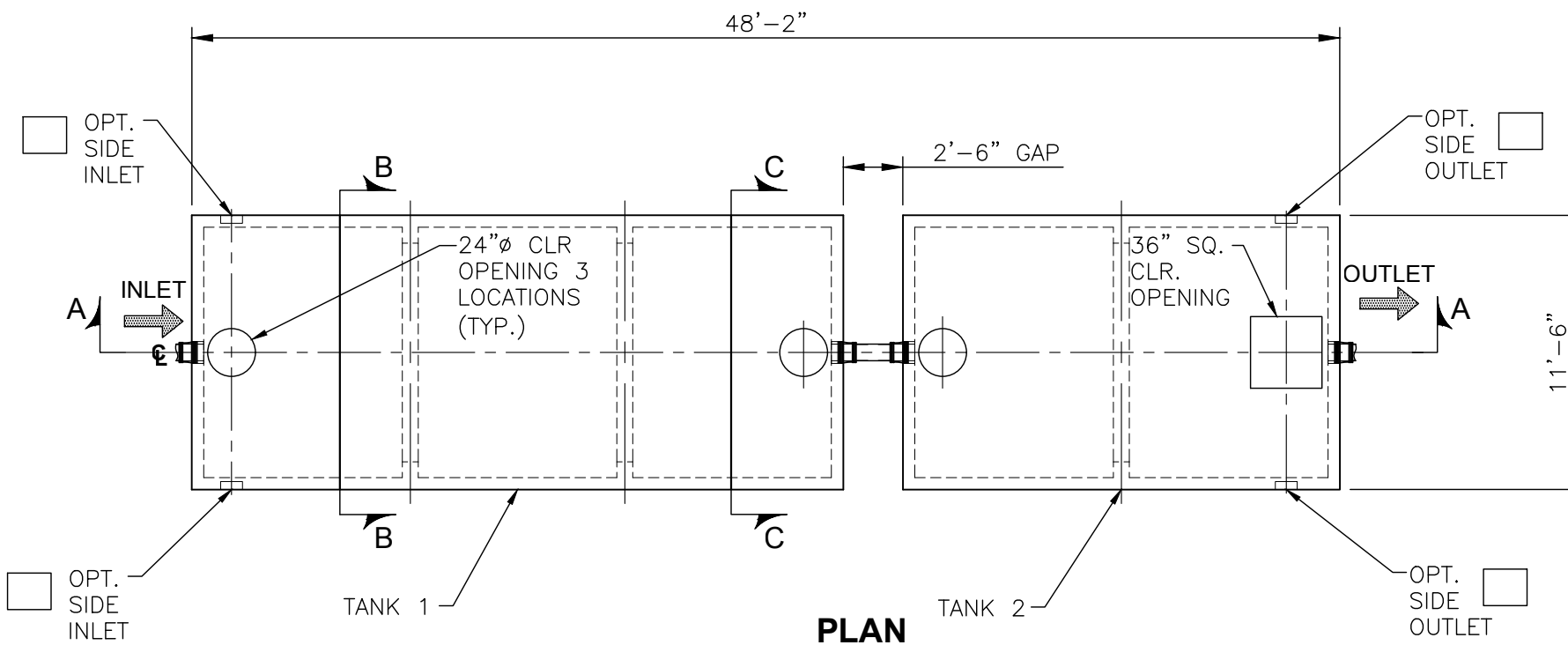


Ø4" VENT HOLE TYP.

30"Wx10"H TRANSVERSE SLOT

A CAST IN PLACE FLANGE WILL BE REQUIRED TO RESIST UPLIFT (C.I.P. - BY G.C. IN FIELD). CONTACT OUR SALES & ENGINEERING DEPARTMENT TO REVIEW THE JOB SPECIFIC REQUIREMENTS

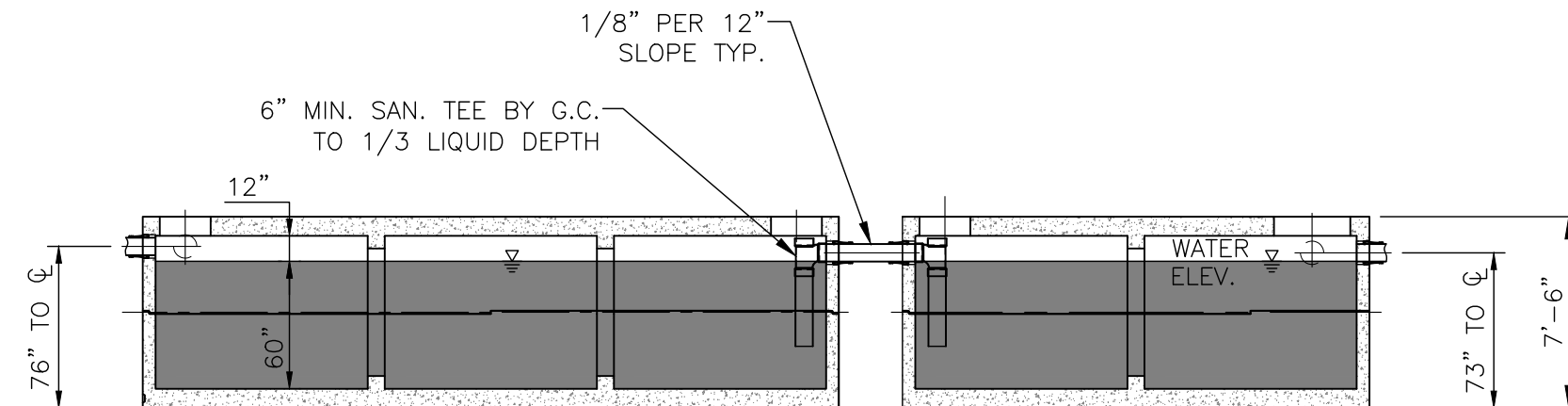
L:\CADD\PRODUCTS\SQUARE AND RECTANGULAR STRUCTURES\VAULTS\10k-26k SEPTIC EFF TANK WORKBOOK\10k-26k ST-EFF TANK-SW\_R5.dwg



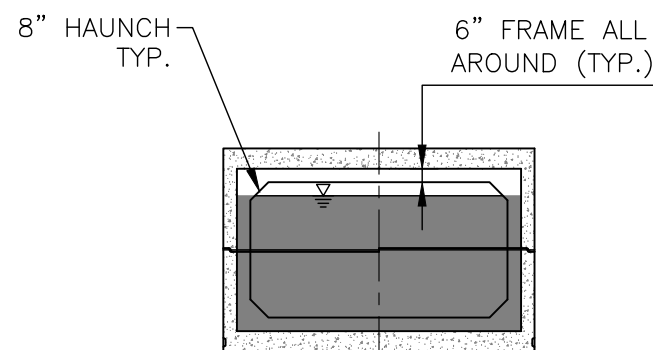
DISTANCE FROM FLOOR TO HOLE INVERT		GALLONAGE
INLET	OUTLET	
63"	60"	17,000

- SPECIFICATIONS:**
- CONCRETE: 5,000 PSI @ 28 DAYS
  - ENTRAINED AIR: 5%-9%
  - STEEL: ASTM A496-A615 GRADE 60-60 KSI.
  - DESIGN LOADING: AASHTO HS-20-44 WITH 30% IMPACT AND EQUIVALENT SOIL PRESSURE OF 30 PCF. 6 FT. OF FILL OVER TOP OF TANK.
  - FLOATATION FORCES: WATER TABLE 3 FT. DOWN FROM GRADE. FLOATATION FORCES NOT ACCOUNTED FOR.
  - WEIGHTS:
 

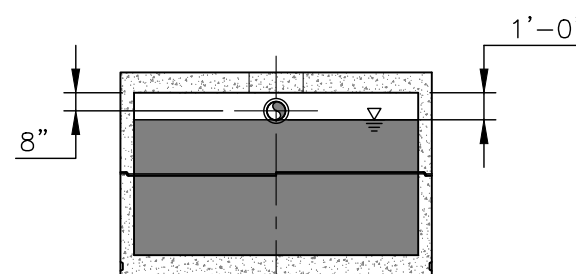
TANK 1 TOP:	53,100 LBS
TANK 1 BOTTOM:	53,900 LBS
TANK 2 TOP:	35,900 LBS
TANK 2 BOTTOM:	37,400 LBS
<b>TOTAL:</b>	<b>180,300 LBS</b>



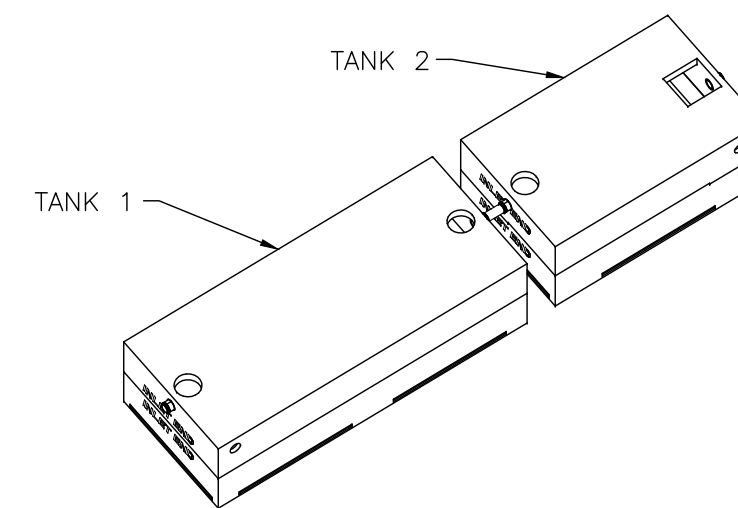
**SECTION A-A**



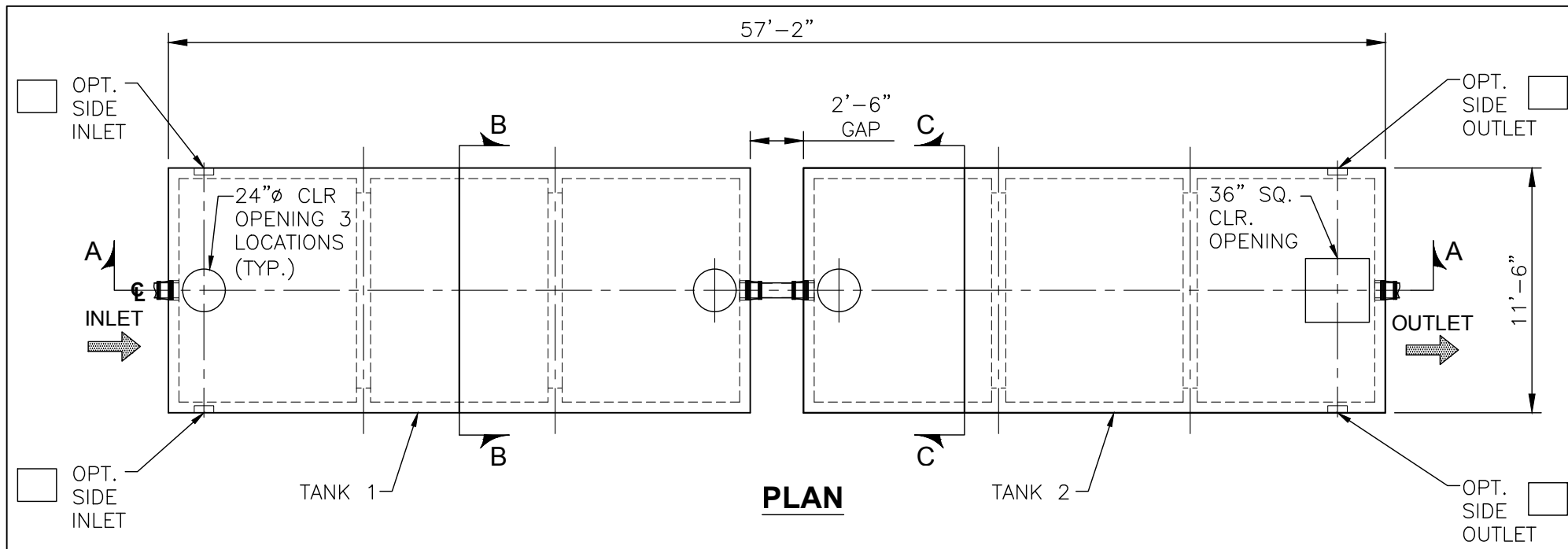
**SECTION B-B**



**SECTION C-C**



**TANK ISOMETRIC**



DISTANCE FROM FLOOR TO HOLE INVERT		GALLONAGE
INLET	OUTLET	
63"	60"	20,000

**SPECIFICATIONS:**

CONCRETE: 5,000 PSI @ 28 DAYS

ENTRAINED AIR: 5%-9%

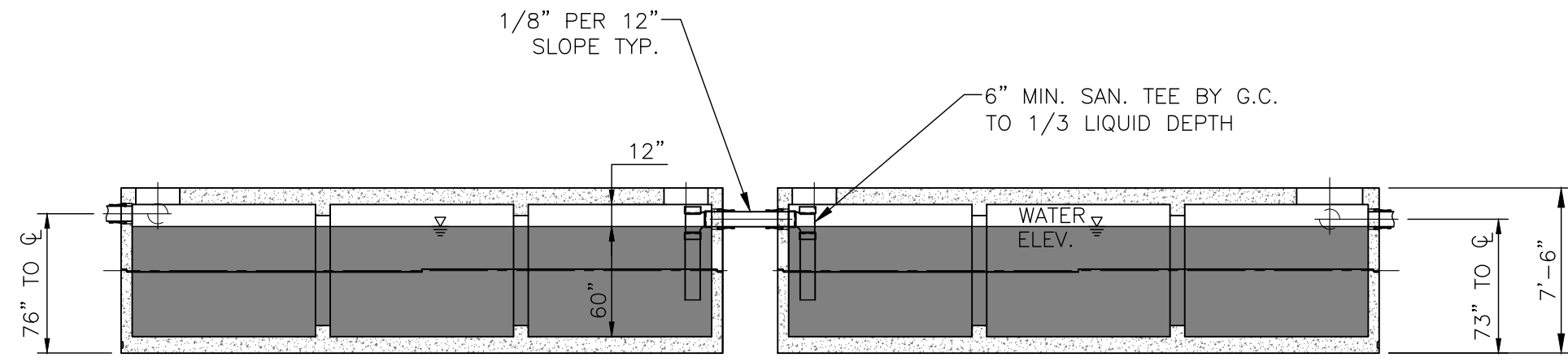
STEEL: ASTM A496-A615 GRADE 60-60 KSI.

DESIGN LOADING: AASHTO HS-20-44 WITH 30% IMPACT AND EQUIVALENT SOIL PRESSURE OF 30 PCF. 6 FT. OF FILL OVER TOP OF TANK.

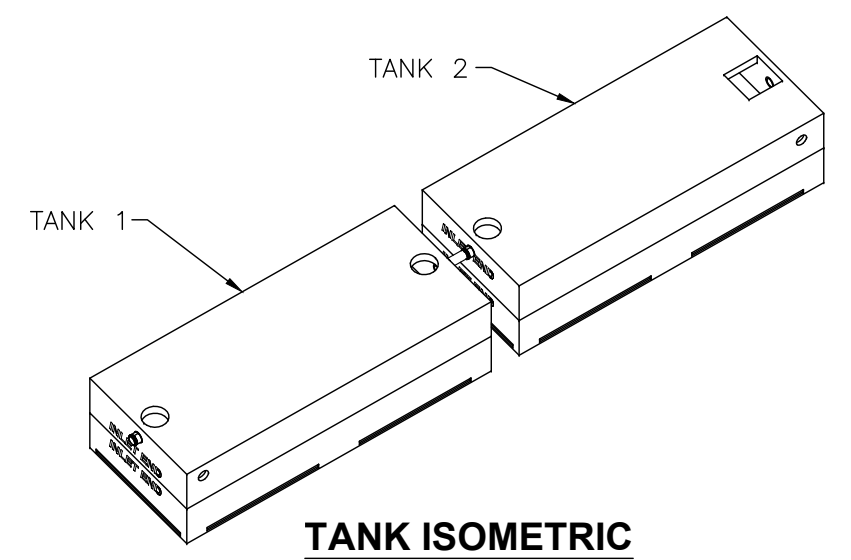
FLOATATION FORCES: WATER TABLE 3 FT. DOWN FROM GRADE. FLOATATION FORCES NOT ACCOUNTED FOR.

**WEIGHTS:**

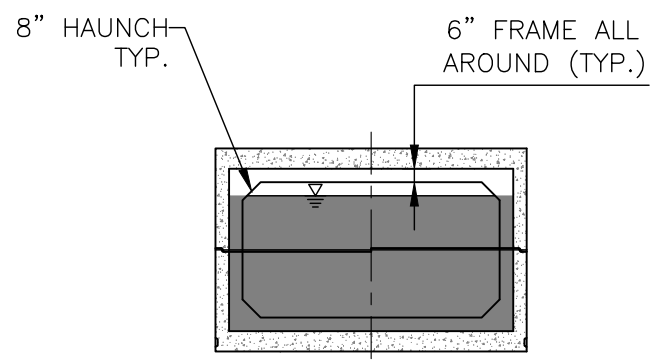
TANK 1 TOP:	53,100 LBS
TANK 1 BOTTOM:	53,900 LBS
TANK 2 TOP:	52,400 LBS
TANK 2 BOTTOM:	53,900 LBS
<b>TOTAL:</b>	<b>213,300 LBS</b>



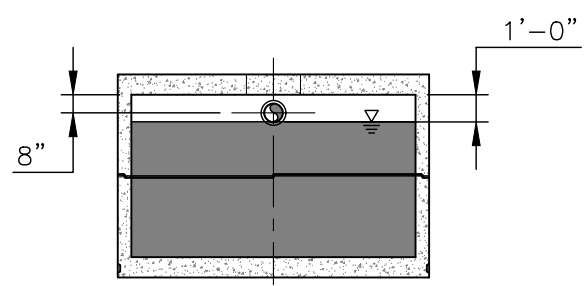
**SECTION A-A**



**TANK ISOMETRIC**

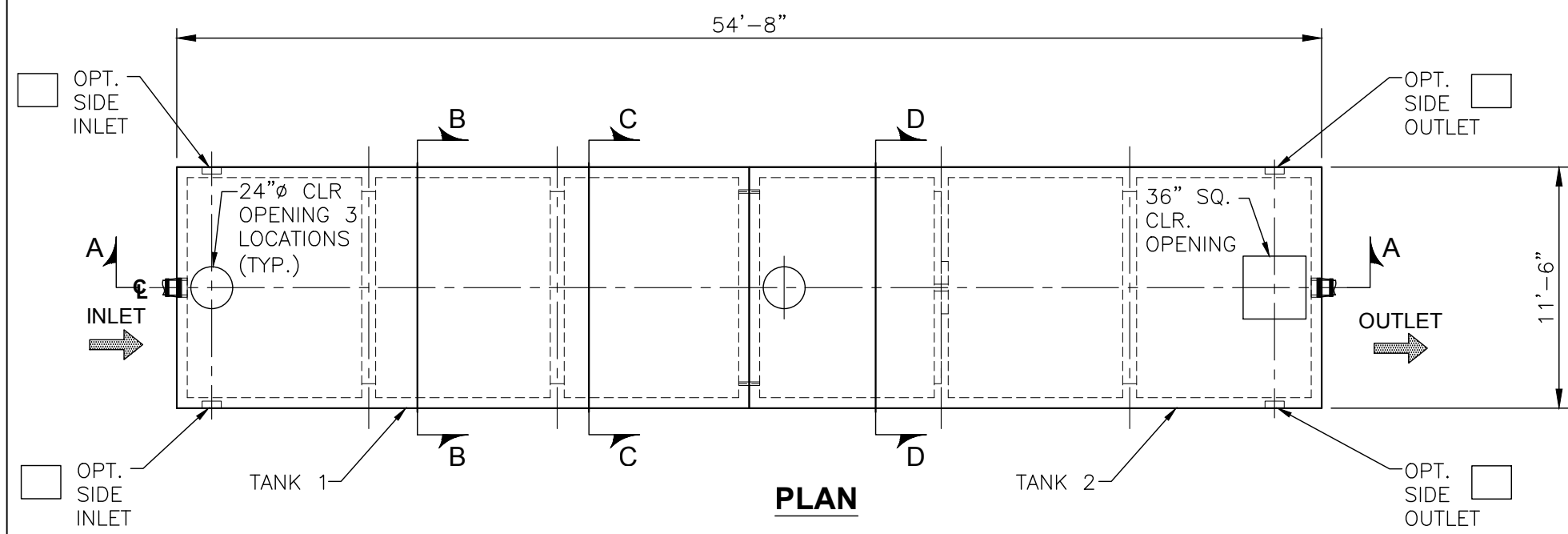


**SECTION B-B**



**SECTION C-C**

L:\CADD\PRODUCTS\SQUARE AND RECTANGULAR STRUCTURES\VAULTS\10k-26k-SEP-EFF TANK WKB\10k-26k-SEP-EFF TANK-SW\_R5.dwg



DISTANCE FROM FLOOR TO HOLE INVERT		GALLONAGE
INLET	OUTLET	
63"	60"	20,000

**SPECIFICATIONS:**

CONCRETE: 5,000 PSI @ 28 DAYS

ENTRAINED AIR: 5%-9%

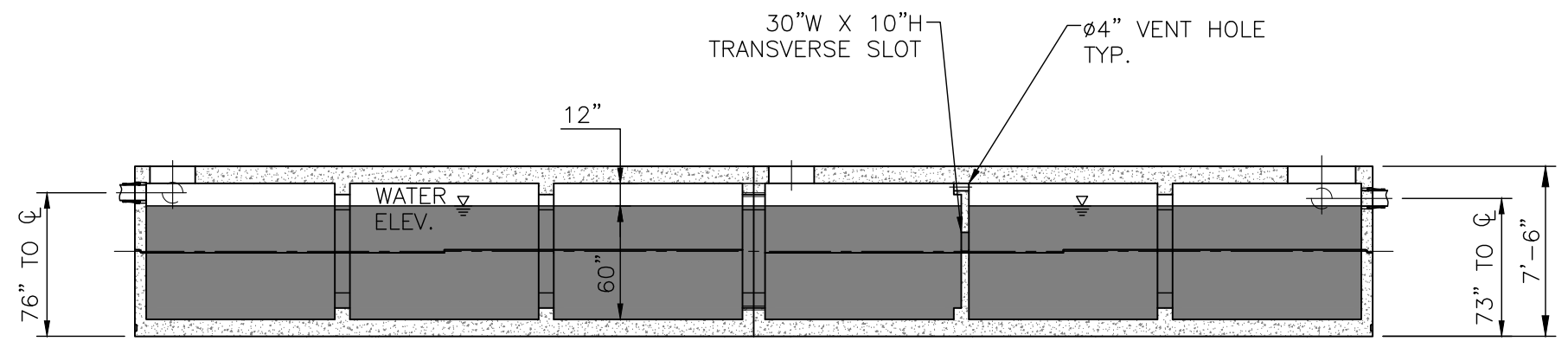
STEEL: ASTM A496-A615 GRADE 60-60 KSI.

DESIGN LOADING: AASHTO HS-20-44 WITH 30% IMPACT AND EQUIVALENT SOIL PRESSURE OF 30 PCF. 6 FT. OF FILL OVER TOP OF TANK.

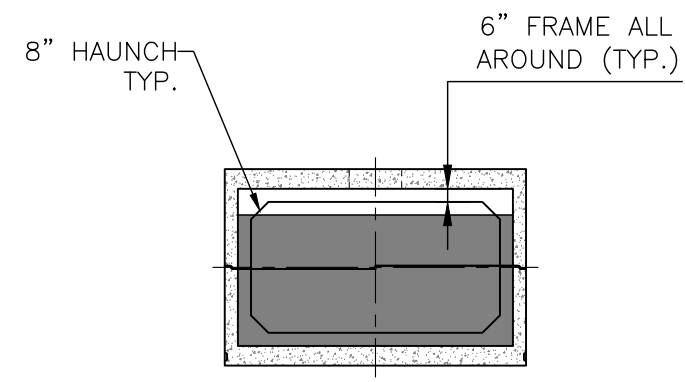
FLOATATION FORCES: WATER TABLE 3 FT. DOWN FROM GRADE. FLOATATION FORCES NOT ACCOUNTED FOR.

**WEIGHTS:**

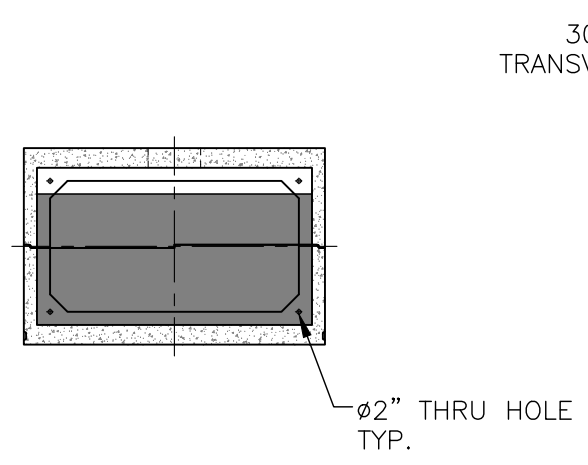
TANK 1 TOP:	51,500 LBS
TANK 1 BOTTOM:	52,100 LBS
TANK 2 TOP:	51,700 LBS
TANK 2 BOTTOM:	53,100 LBS
<b>TOTAL:</b>	<b>208,400 LBS</b>



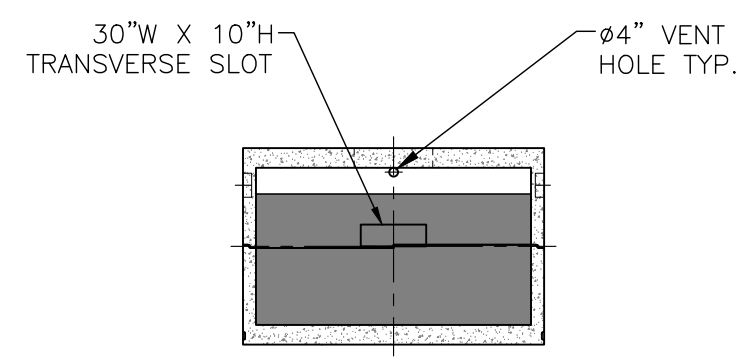
**SECTION A-A**



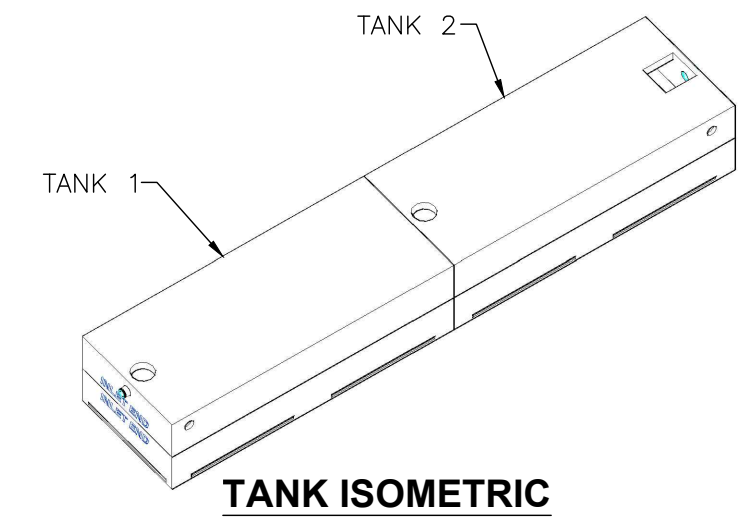
**SECTION B-B**



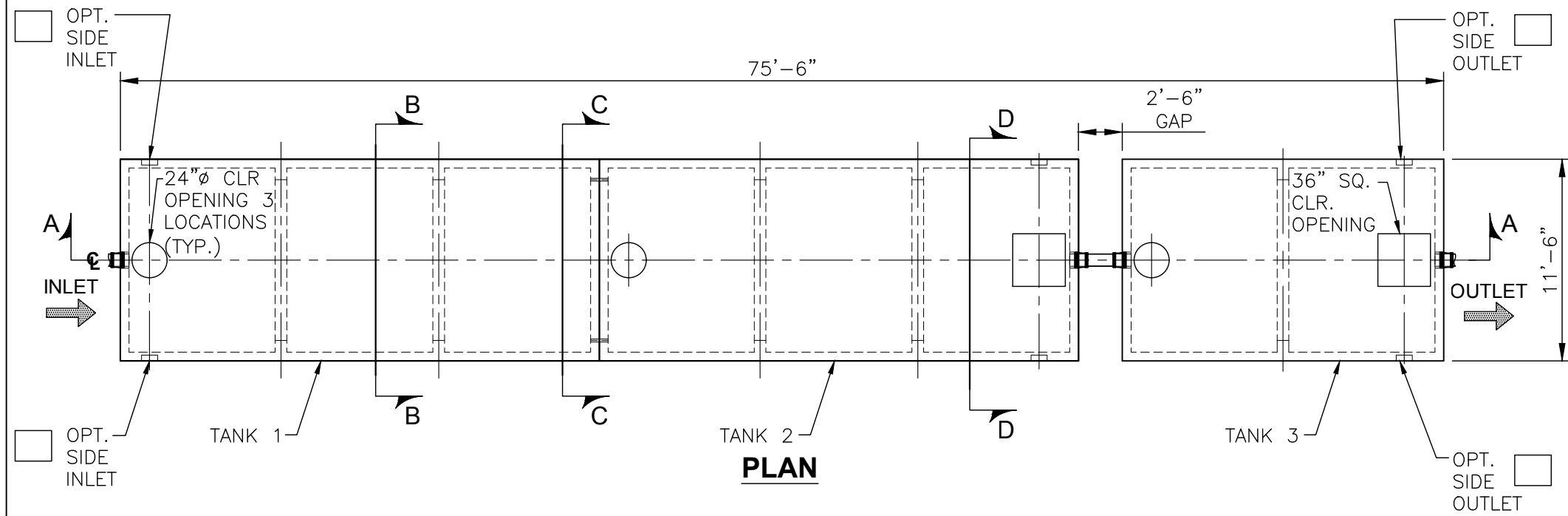
**SECTION C-C**



**SECTION D-D**



**TANK ISOMETRIC**



**PLAN**

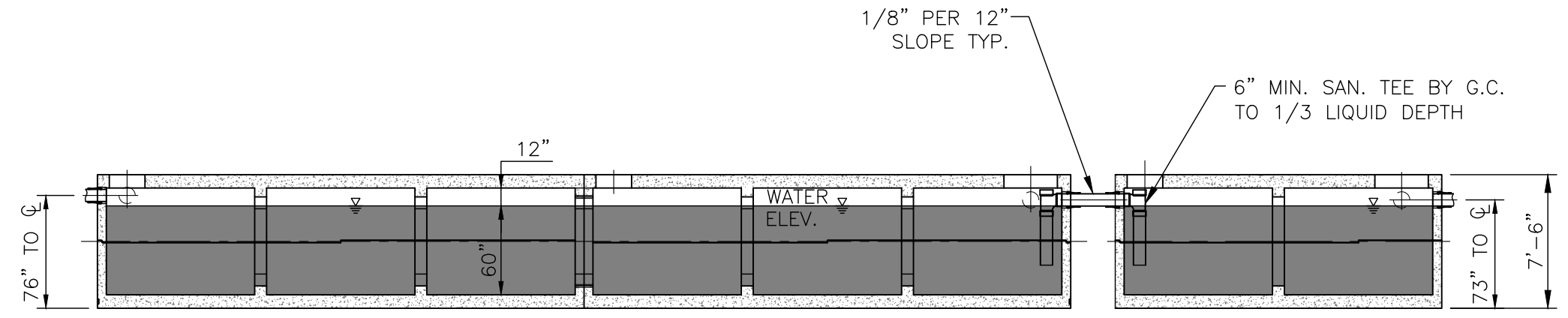
DISTANCE FROM FLOOR TO HOLE INVERT		GALLONAGE
INLET	OUTLET	
63"	60"	27,000

**SPECIFICATIONS:**  
 CONCRETE: 5,000 PSI @ 28 DAYS  
 ENTRAINED AIR: 5%-9%  
 STEEL: ASTM A496-A615 GRADE 60-60 KSI.  
 DESIGN LOADING: AASHTO HS-20-44 WITH 30% IMPACT AND EQUIVALENT SOIL PRESSURE OF 30 PCF. 6 FT. OF FILL OVER TOP OF TANK.

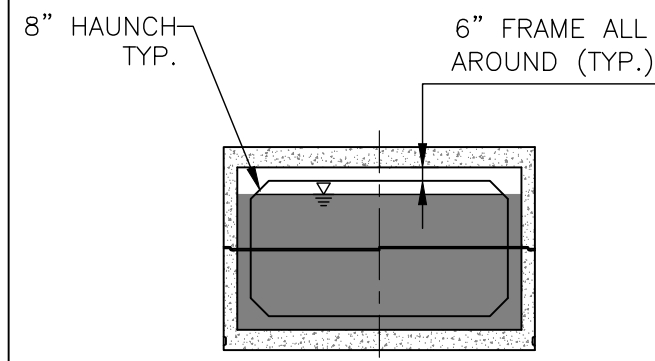
**FLOATATION FORCES:** WATER TABLE 3 FT. DOWN FROM GRADE. FLOATATION FORCES NOT ACCOUNTED FOR.

**WEIGHTS:**

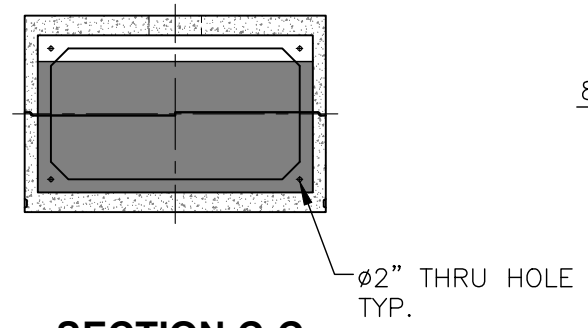
TANK 1 TOP:	51,500 LBS
TANK 1 BOTTOM:	52,100 LBS
TANK 2 TOP:	51,500 LBS
TANK 2 BOTTOM:	52,100 LBS
TANK 3 TOP:	35,900 LBS
TANK 3 BOTTOM:	37,400 LBS
<b>TOTAL:</b>	<b>280,500 LBS</b>



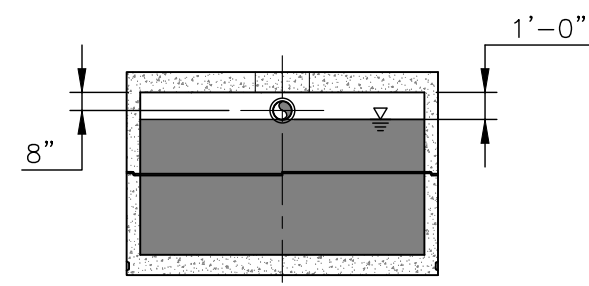
**SECTION A-A**



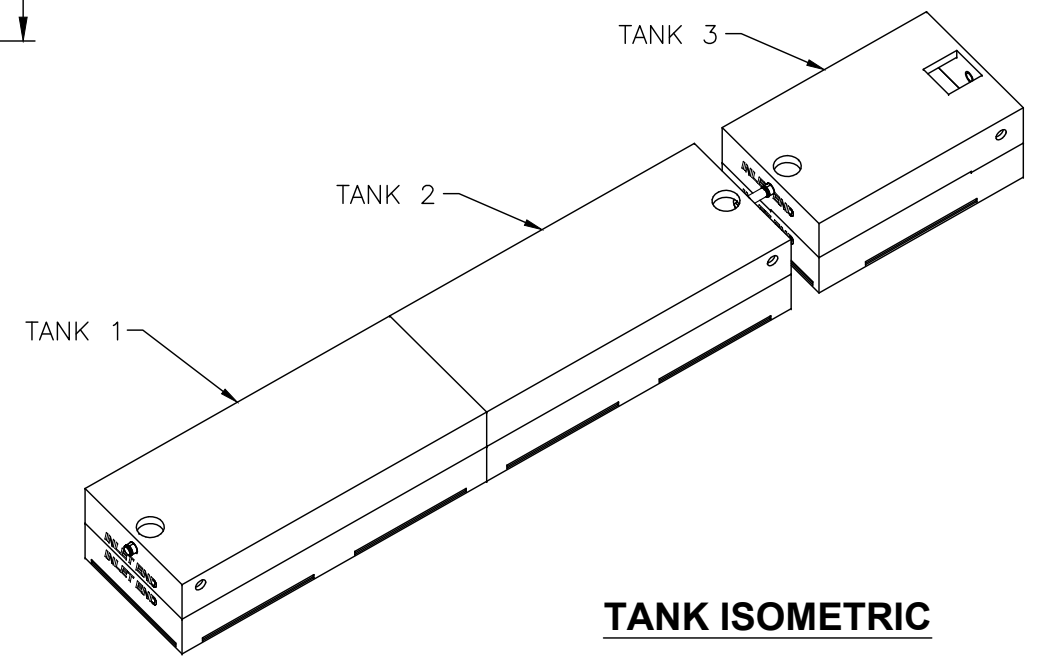
**SECTION B-B**



**SECTION C-C**

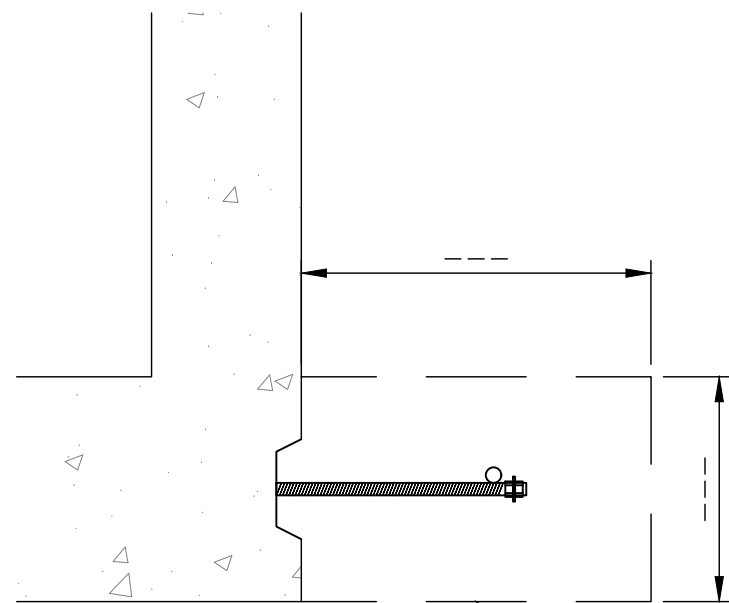


**SECTION D-D**



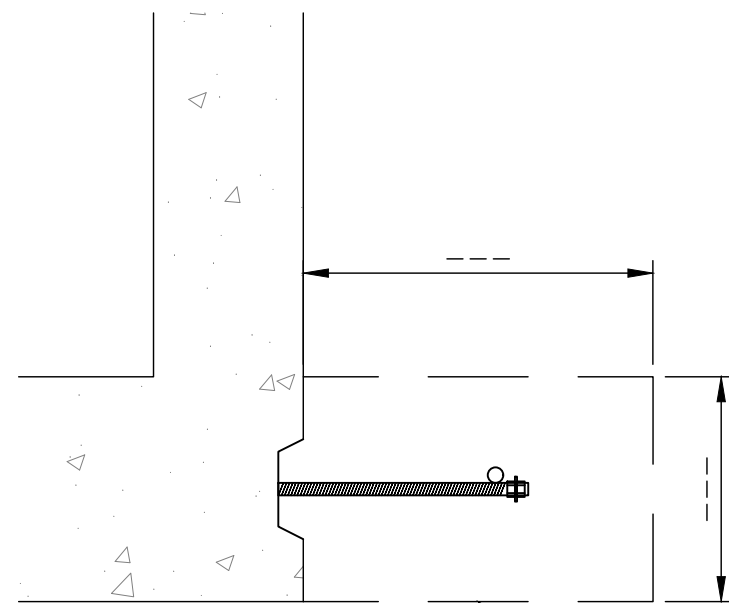
**TANK ISOMETRIC**

L:\CADD\PRODUCTS\SQUARE AND RECTANGULAR STRUCTURES\VAULTS\10k-26k-SEP-EFF TANK\WRK\10k-26k-ST-EFF TANK-SW\_R5.dwg



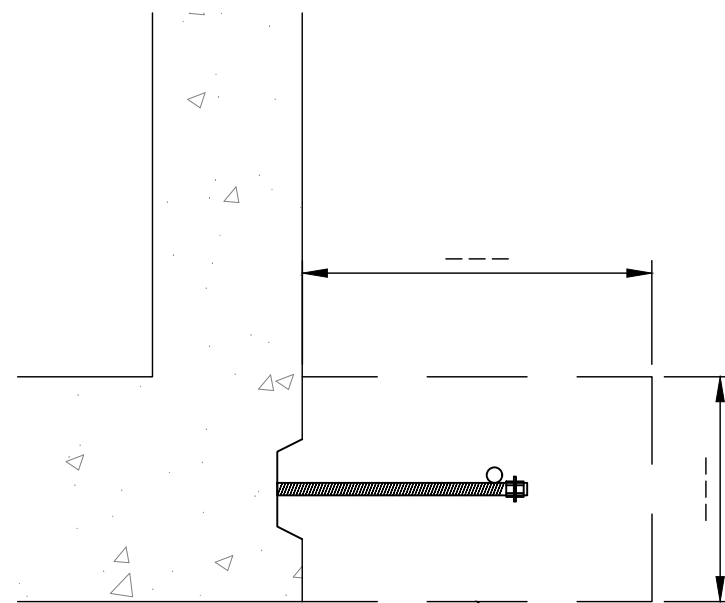
CAST IN PLACE ANTI-BOUYANCY COLLAR

**10,000 GALLON TANK**



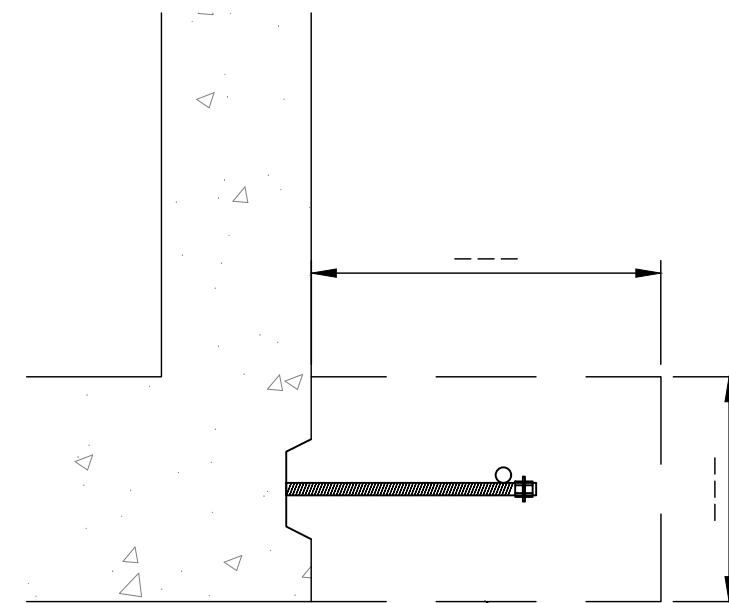
CAST IN PLACE ANTI-BOUYANCY COLLAR

**14,000 GALLON TANK**



CAST IN PLACE ANTI-BOUYANCY COLLAR

**24,000 GALLON TANK**



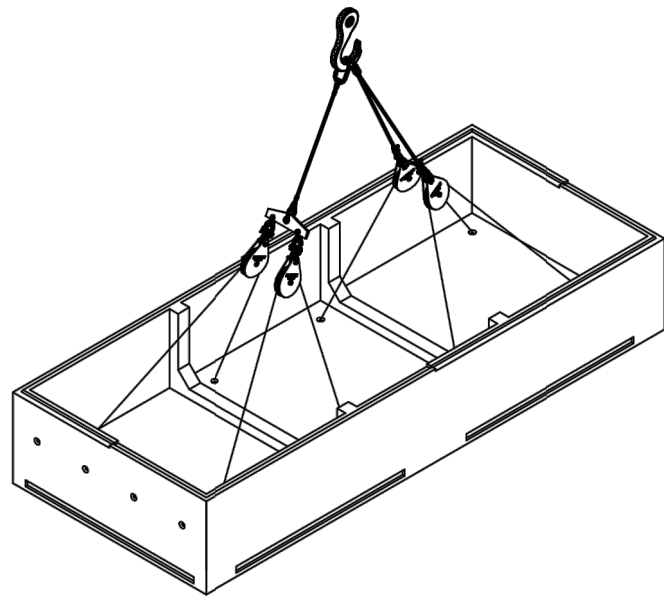
CAST IN PLACE ANTI-BOUYANCY COLLAR

**26,000 GALLON TANK**

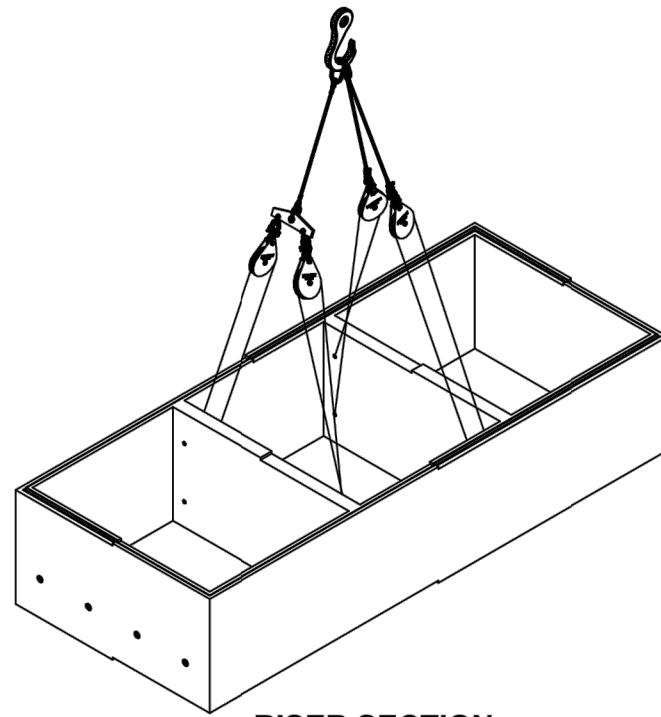
DESIGN ASSUMPTIONS  
WATER TABLE  
SAFETY FACTOR

IF ABOVE "DESIGN ASUMPTIONS"  
REQUIRE MODIFICATION FOR YOUR  
SPECIFIC PROJECT, CALL SALES +  
ENGINEERING TO DISCUSS.

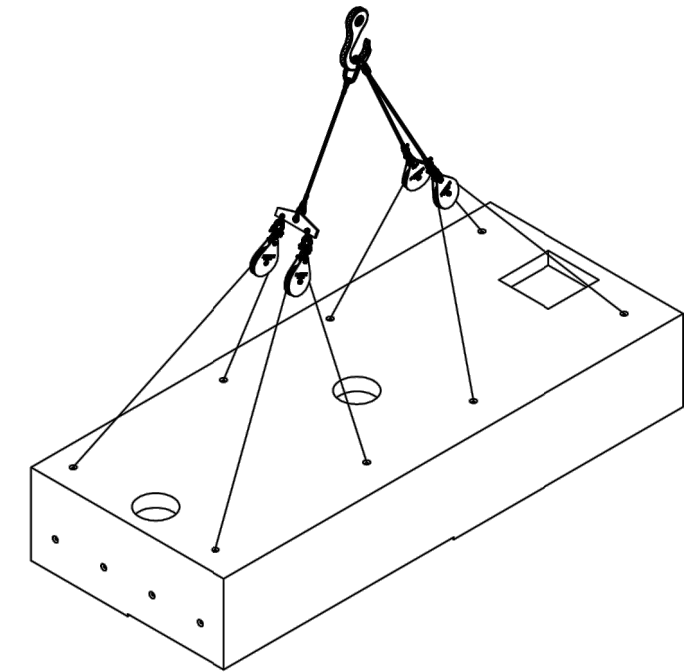
	5550 HINMAN ROAD LOCKPORT, NEW YORK 14094 PHONE 716-434-6157	REV. NO.	DATE	DESCRIPTION	DRAWN BY: <b>ZMS</b>	DATE: <b>1/18/19</b>	PROJECT: <b>10K TO 26K SEPTIC / EFFLUENT / UTILITY TANKS - PRESENTATION WORKBOOK</b>	SHEET TITLE: <b>ANTI-BOUYANCY COLLAR DETAILS</b>	SHEET NO.: <b>P-15</b>
					CK'D BY: <b>MJK</b>	SCALE: <b>N.T.S.</b>			FILE NAME: <b>10k-26k ST-EFF TANK-SW_R5</b>



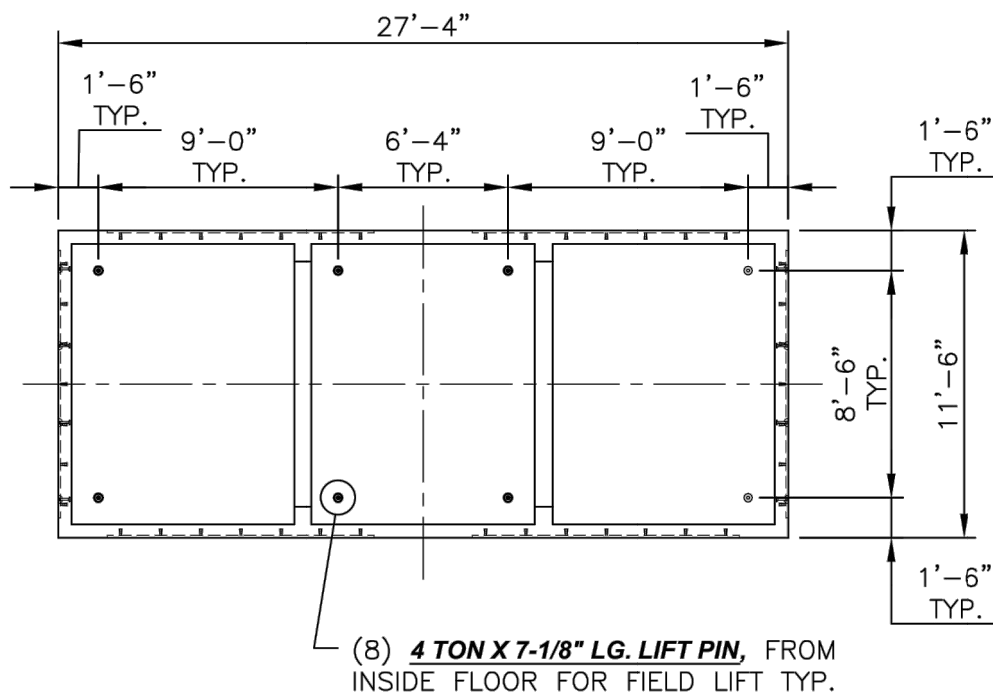
**BOTTOM SECTION**  
8 POINT - INSIDE FLOOR - PICK - FIELD



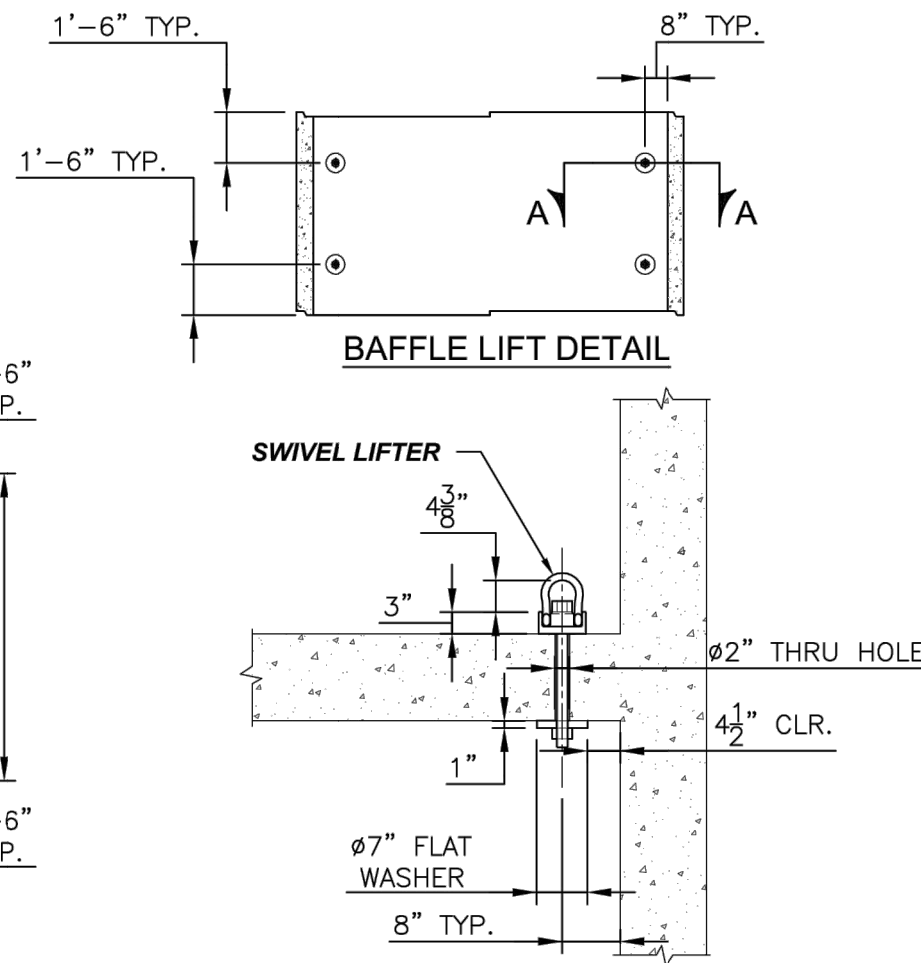
**RISER SECTION**  
8 POINT - BAFFLE WALL - THRU HOLE - PICK - FIELD



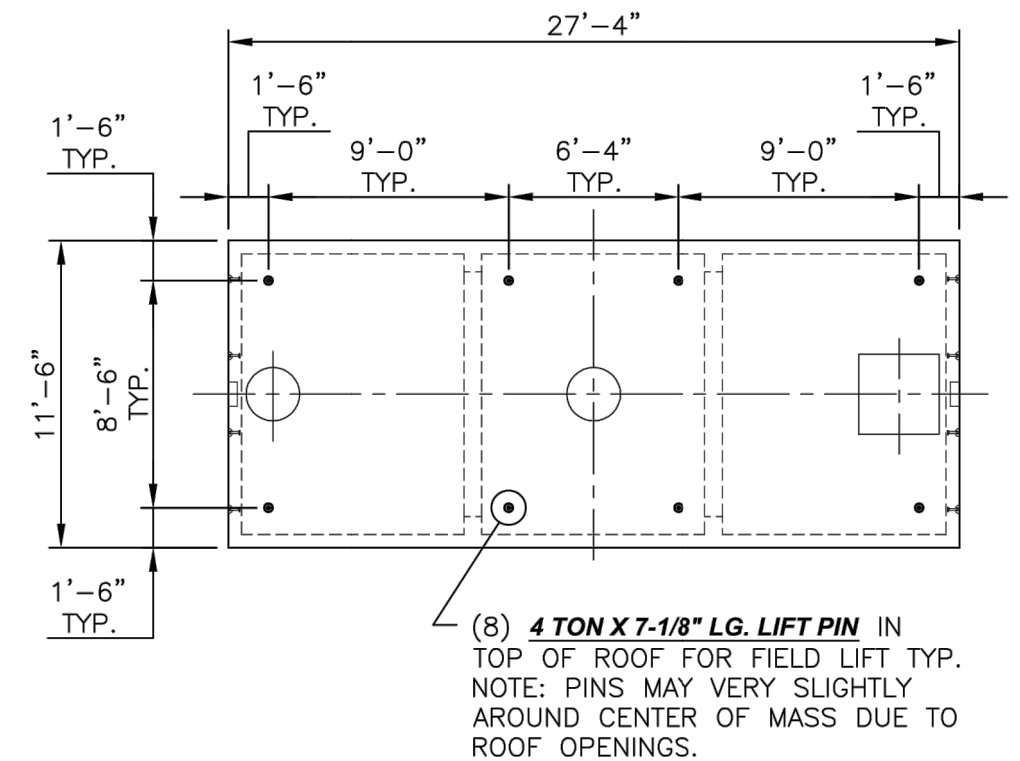
**TOP SECTION**  
8 POINT - TOP - PICK - FIELD



**BOTTOM SECTION DETAIL**



**SECTION A-A**



**TOP SECTION DETAIL**



**KISTNER CONCRETE PRODUCTS, INC.**

5550 HINMAN ROAD  
LOCKPORT, NEW YORK 14094  
PHONE 716-434-6157

REV. NO.

DATE

DESCRIPTION

DRAWN BY:  
**ZMS**  
CK'D BY:  
**MJK**

DATE:  
**1/18/19**  
SCALE:  
**N.T.S.**

PROJECT:  
**10K TO 26K SEPTIC / EFFLUENT / UTILITY TANKS - PRESENTATION WORKBOOK**

SHEET TITLE:

**FIELD LIFT DETAILS**

SHEET NO.:

**P-16**

FILE NAME:  
**10k-26k ST-EFF TANK-SW\_R5**

L:\CADD\PRODUCTS\SQUARE AND RECTANGULAR STRUCTURES\VAULTS\10k-26k SEPTIC EFF TANK WORKBOOK\10k-26k ST-EFF TANK-SW\_R5.dwg