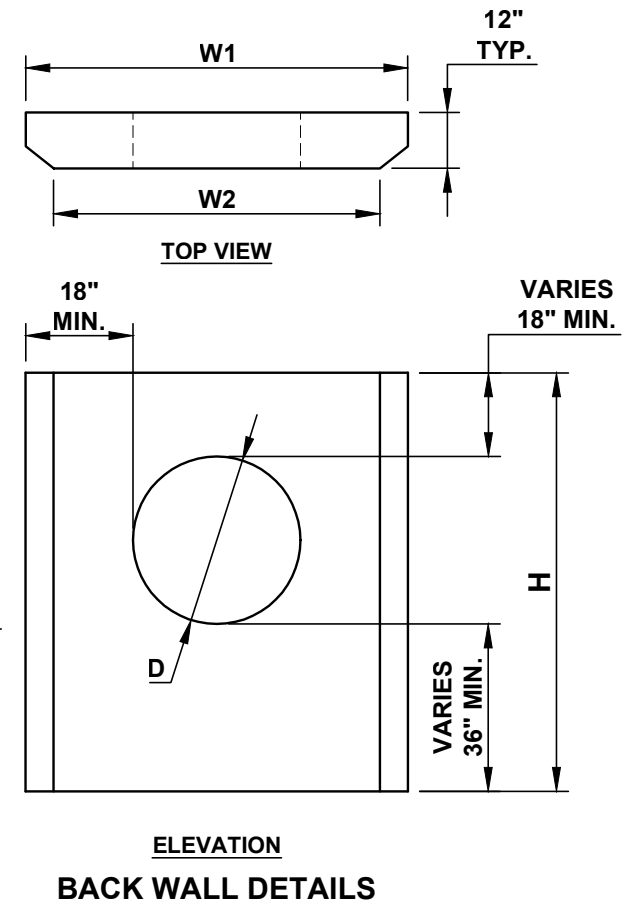
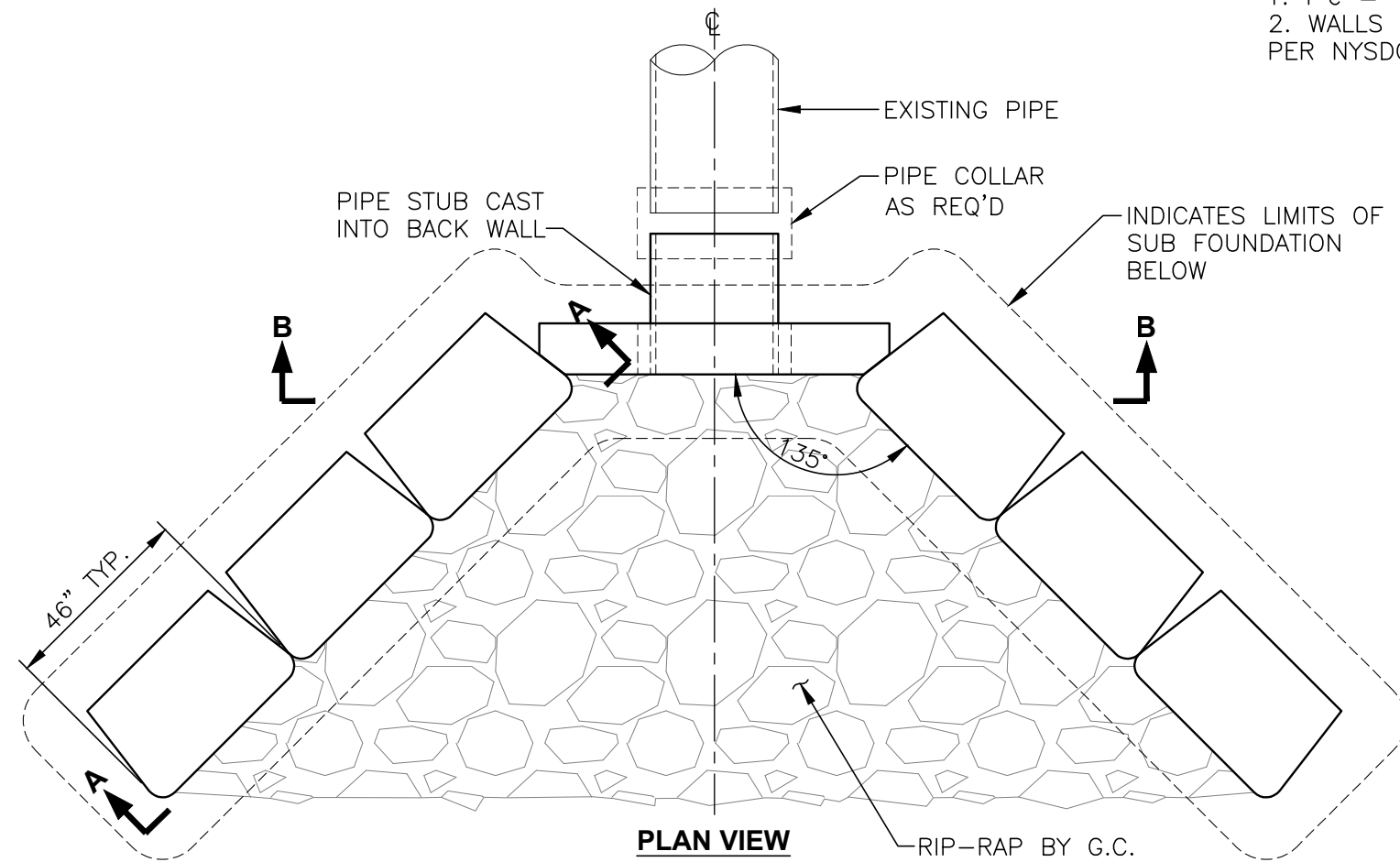
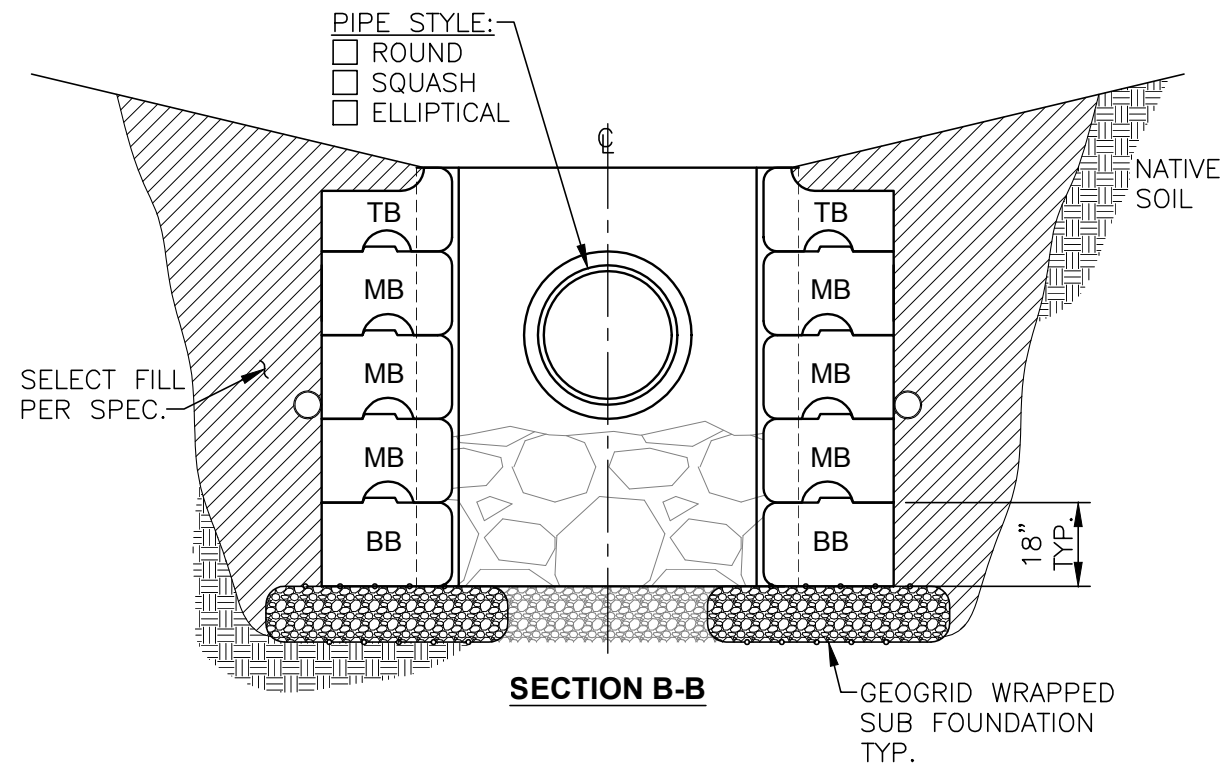
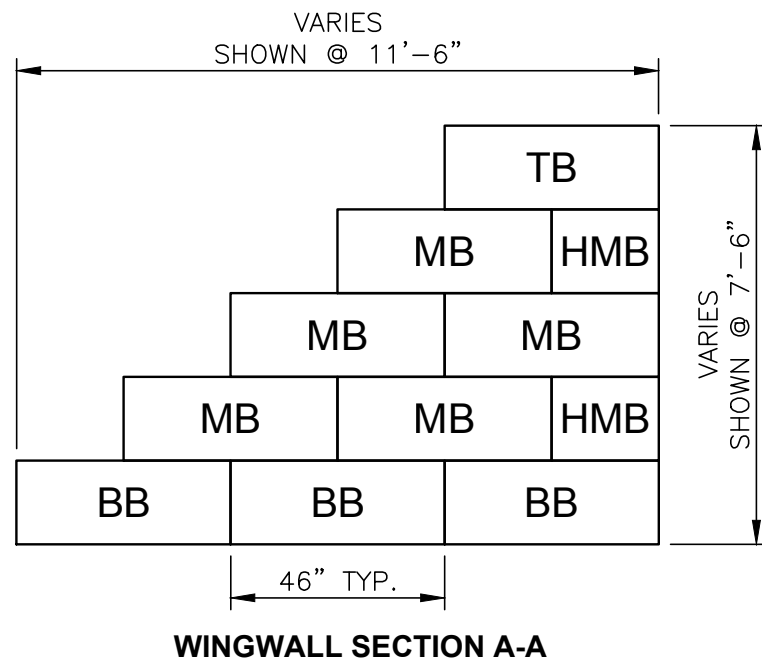


- NOTES:  
 1. F'c = 4,000 PSI  
 2. WALLS - REDI-ROCK PER NYSDOT 554.



W1 = \_\_\_\_\_  
 W2 = \_\_\_\_\_  
 H = \_\_\_\_\_  
 D = PIPE O.D. + 3" TYP.



- Approved  
 Approved As Noted

By: \_\_\_\_\_ DATE \_\_\_\_\_


REV. NO.	DATE	DESCRIPTION

PREPARED FOR: \_\_\_\_\_ ACCT # \_\_\_\_\_

**PRESENTATION SHEET**

JOB ID:			
DATE:	6/18/19	SHEET TITLE:	PRECAST MODULAR PIPE END SECTION
SCALE:	N.T.S.	DRAWN BY:	MAK
PROJECT:		CK'D BY:	MJK

CONTRACT DWG NO.:		SHT NO.:	03
KISTNER PROJECT NO.:		NYSDOT DWG NO.:	

**KISTNER PRECAST CONCRETE PRODUCTS, INC.**  
 5550 HINMAN ROAD  
 LOCKPORT, NEW YORK 14094  
 PHONE 716-434-6157  
 PROPRIETARY INFORMATION  
 ALL RIGHTS OF KISTNER CONCRETE PRODUCTS, INC.