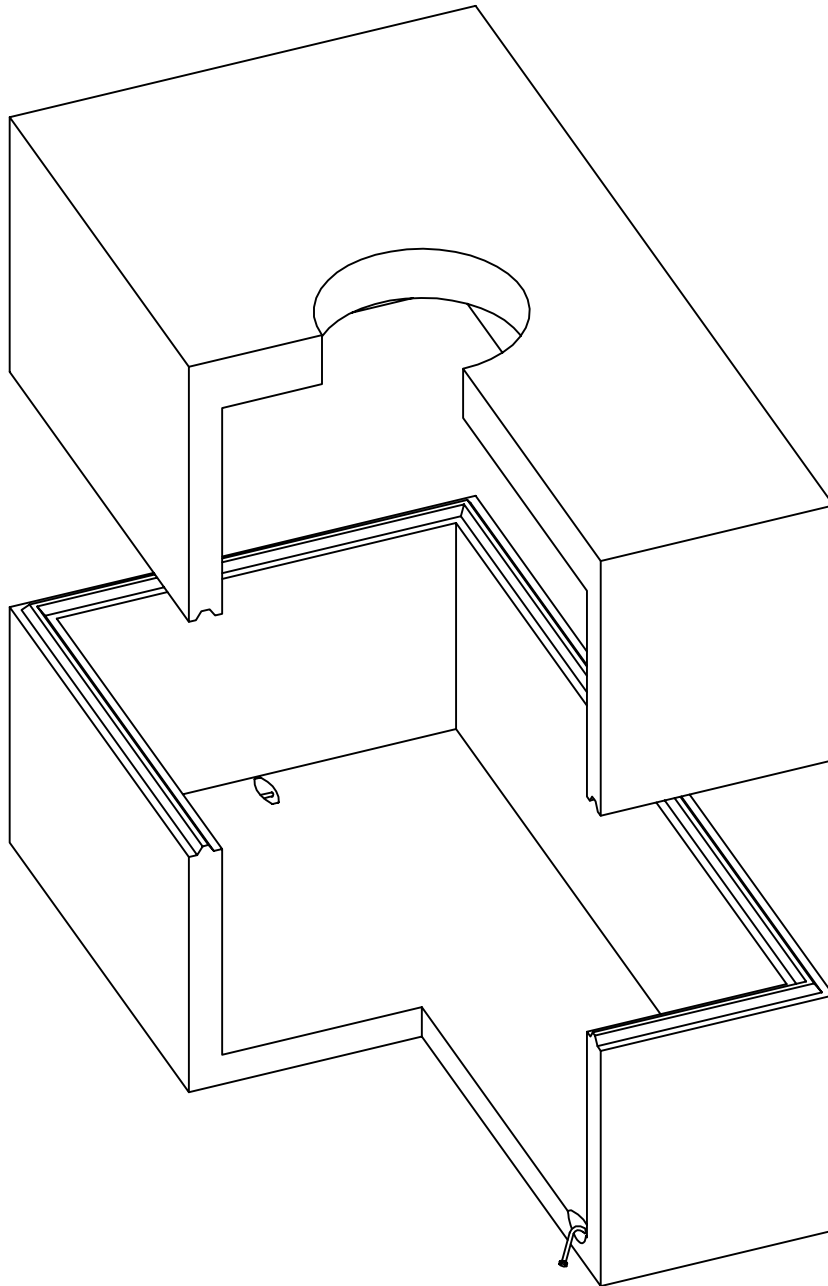




POWER/COMMUNICATION MANHOLES



RECTANGULAR & SQUARE MANHOLES							
QTY	LENGTH (FT.)	WIDTH (FT.)	HEIGHT (FT.)	KO'S QTY.	H (in.)	W (in.)	NOTES
	4	4	VARIES	VARIES	VARIES	VARIES	
	5	5	VARIES	VARIES	VARIES	VARIES	
	4.5	8	VARIES	VARIES	VARIES	VARIES	
	6	8	VARIES	VARIES	VARIES	VARIES	
	6	12	VARIES	VARIES	VARIES	VARIES	
	8	8	VARIES	VARIES	VARIES	VARIES	

LARGER SIZES AVAILABLE - PLEASE INQUIRE.

OPTIONS: 24" OR 36" DIA. ROOF OPENINGS
 SIZE & LOCATION OF KNOCKOUTS
 TERMINATORS

PULLING IRONS
 SUMP