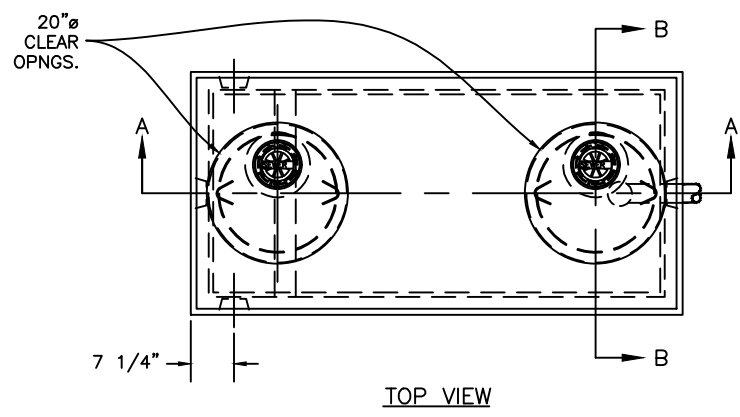




KISTNER CONCRETE PRODUCTS, INC.
 8713 READ ROAD
 E. PEMBROKE, N.Y.
 14056
 (716) 894-2267

PRODUCT DESIGNATION
 500 GALLON OIL SEPARATOR

DWG. NO.
 OS-0S500
 4-4-05



SPECIFICATIONS:

CONCRETE: 4,000 P.S.I. @ 28 DAYS.
 5% - 9%
 ENTRAINED AIR: A.S.T.M. A496-A615
 GRADE 60-60 KSI.
 STEEL: A-0.3/300PSF/WALKWAYS. FLOTATION FORCES NOT ACCOUNTED FOR.
 DESIGN LOADING: OUTLET TEES AND DROP LEGS SUPPLIED & INSTALLED BY G.C.

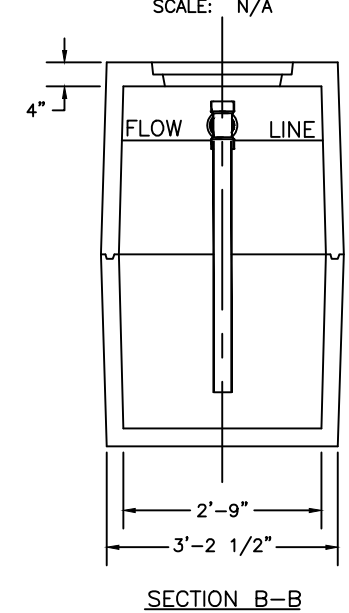
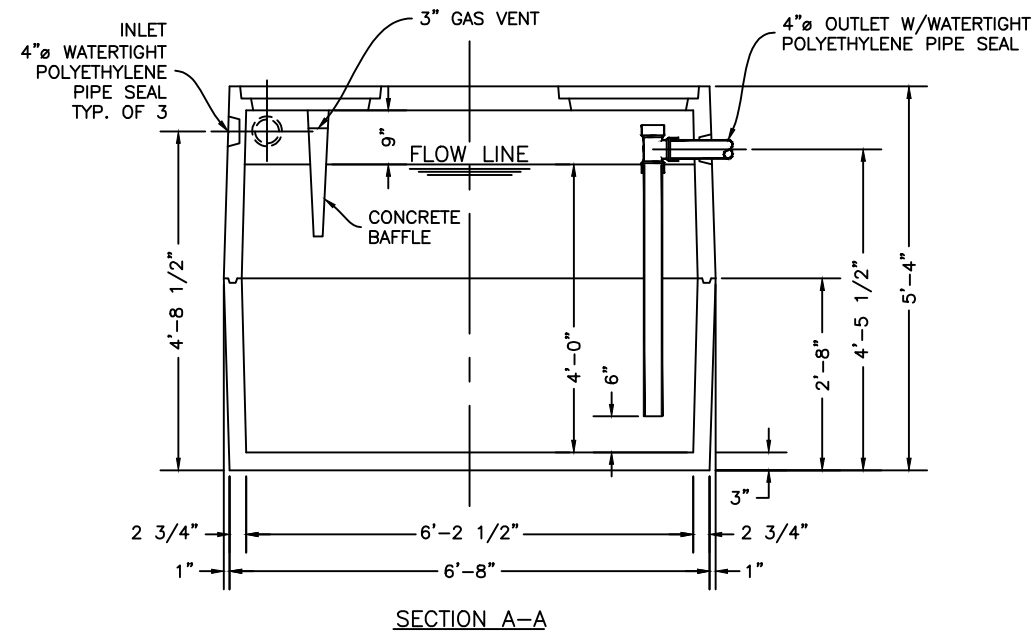
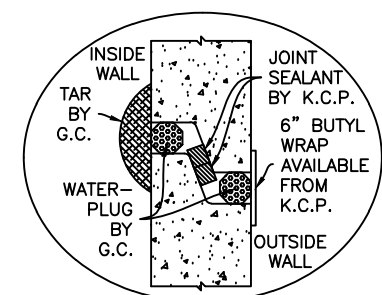
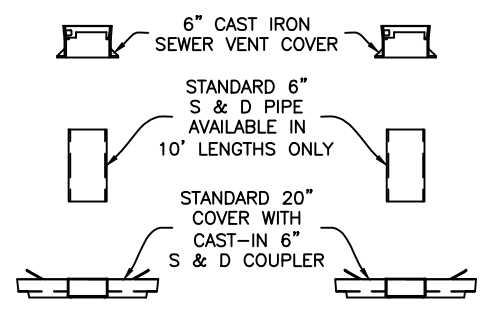
PIPEING: SEE DWG. #GO-NTTNKRSR - "NON-TRAFFIC TANK RISERS".

FRAME & COVER & RISERS: MAX. 3' OF EARTH FILL.

COVER OVER TANK: 6" SEWER VENT COVER.
 20"Ø PLUG COVER.

INCLUDED ITEMS: 2,847 LBS.
 TOP SECTION: 2,513 LBS.
 BOTTOM SECTION: 5,360 LBS.
 TOTAL:

WEIGHT:



L:\CADD\PRODUCTS\001a-0500 gallon tank\OS500.dwg