



KISTNER CONCRETE PRODUCTS INC.
8713 READ ROAD
E. PEMBROKE, N.Y.
14056
(716) 894-2267

PRODUCT DESIGNATION

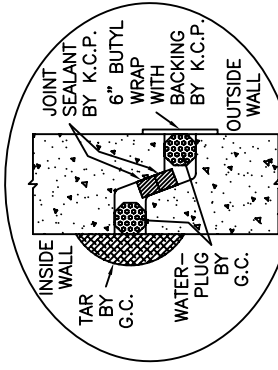
3700 GALLON OIL SEPARATOR

DWG. NO.

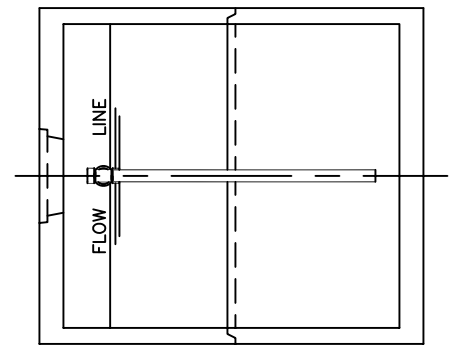
OS-OS3700 ©

4-4-05

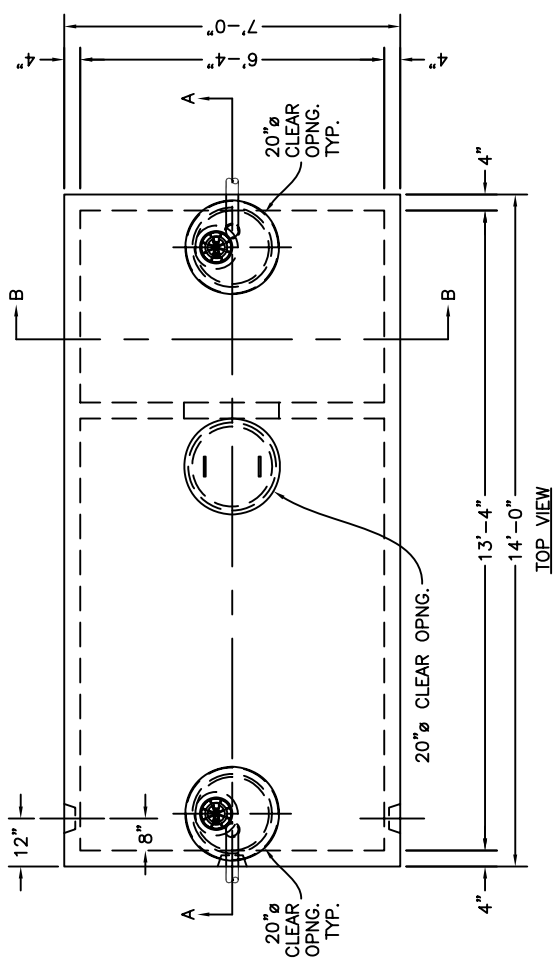
- SPECIFICATIONS:**
 CONCRETE: 4,000 P.S.I. @ 28 DAYS.
 ENRAINED AIR: 5% - 9%
 STEEL: A.S.T.M. A496-A615
 GRADE 60-60 KSI.
 DESIGN LOADING: A-0.3/300PSF/WALKWAYS. FLOTATION FORCES NOT ACCOUNTED FOR.
 PIPING: OUTLET TEES AND DROP LEGS SUPPLIED & INSTALLED BY G.C.
 FRAME & COVER & RISERS: SEE DWG. #GO-NITNKRSR - "NON-TRAFFIC TANK RISERS".
 COVER OVER TANK: MAX. 3' OF EARTH FILL.
 INCLUDED ITEMS: 6" SEWER VENT COVER. 20"Ø PLUG COVER.
 WEIGHT: TOP SECTION: 16,829 LBS. BOTTOM SECTION: 16,708 LBS. TOTAL: 33,537 LBS.



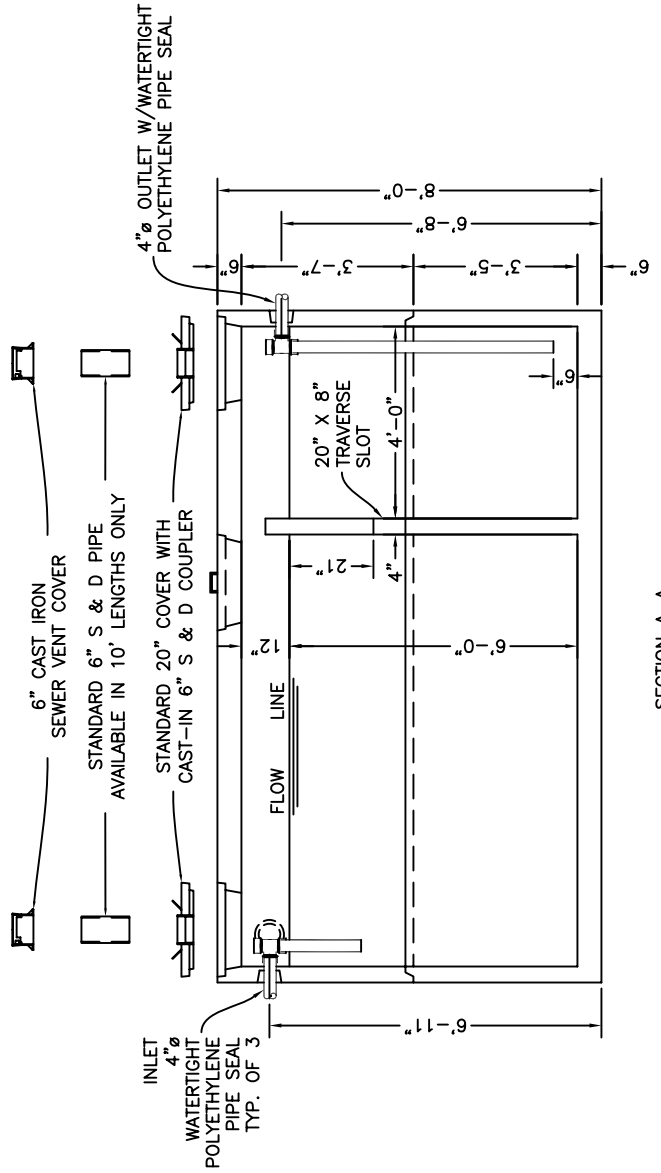
WATERTIGHT JOINT DETAIL
SCALE: N/A



SECTION B-B



TOP VIEW



SECTION A-A