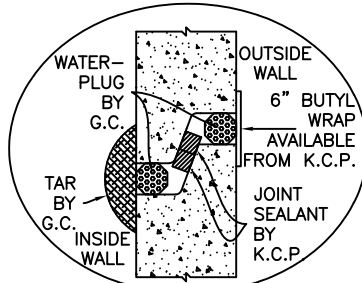
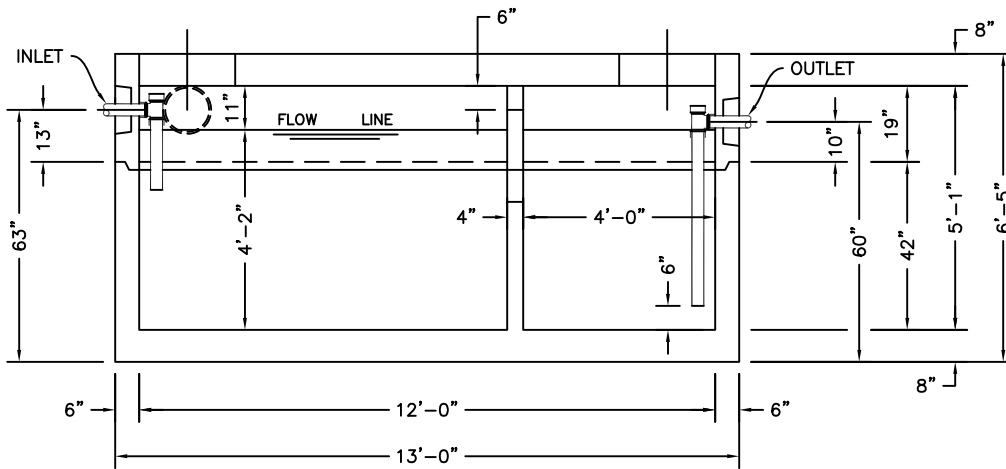


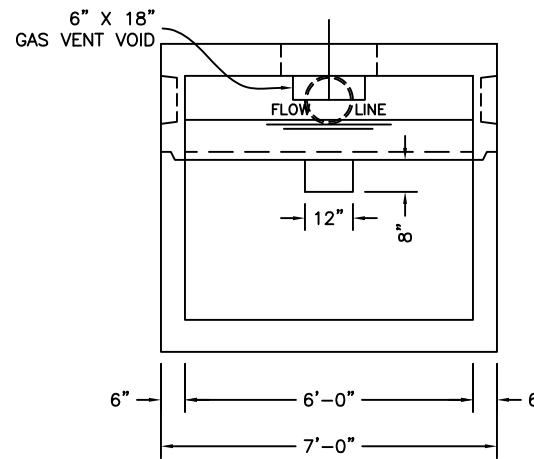
TOP VIEW



WATERTIGHT JOINT DETAIL
SCALE: N/A



SECTION A-A



SECTION B-B

SP-7A

SPECIFICATIONS:

CONCRETE: 5,000 P.S.I. @ 28 DAYS.
 ENTRAINED AIR: 5% - 8%.
 STEEL: A.S.T.M. A496-A615
 GRADE 60-80 KSI.
 DESIGN LOADING: ACI 318-99 TRAFFIC. USE ACI LOAD FACTORS.
 A.A.S.H.T.O. METHOD OF DESIGN. EQUIVALENT
 SOIL PRESSURE OF 40 (PCF).

LIVE LOAD: H20.
 EARTH FILL: 0 TO 6'.
 WATER TABLE: 3' BELOW GRADE.

WEIGHT:
 TOP SECTION: 14,145 LBS.
 BOTTOM SECTION: 22,000 LBS.
 TOTAL: 36,145 LBS.

PIPING: TEES, DROP LEGS & FITTINGS SUPPLIED
 AND INSTALLED BY G.C.

WATERTIGHT ASSEMBLY IS THE RESPONSIBILITY OF THE INSTALLING CONTRACTOR. ASK FOR KISTNER "WATERTIGHT JOINT INSTALLATION" DETAIL.

PIPE OPENINGS STOCK:

- PIPE SEALS REQUIRED
 - 4" PVC - OPENING WITH SEAL - STOCK
 - 6" PVC - OPENING STOCK - SEAL TO BE INSTALLED
 - 8" PVC - OPENING STOCK - SEAL TO BE INSTALLED
- GROUDED OPENINGS ONLY - REQUIRED
 - 4" PVC - OPENING WITH SEAL - STOCK
 - 6" PVC - STOCK KNOCKOUT TO BE BROKEN OUT BY CONTRACTOR
 - 8" PVC - STOCK KNOCKOUT TO BE BROKEN OUT BY CONTRACTOR



KISTNER CONCRETE
 PRODUCTS, INC.
 8713 READ ROAD
 E. PEMBROKE, N.Y.
 14056
 (716) 894-2267

2000 GAL. OIL SEPARATOR - TRAFFIC

PRODUCT DESIGNATION

DWG. NO.

OS-OS2000T

4/2/19

