

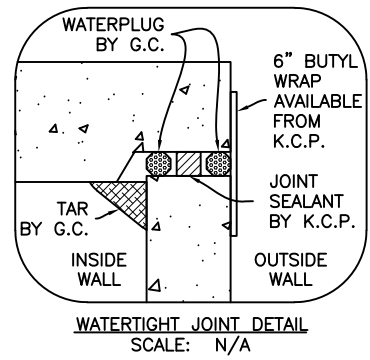
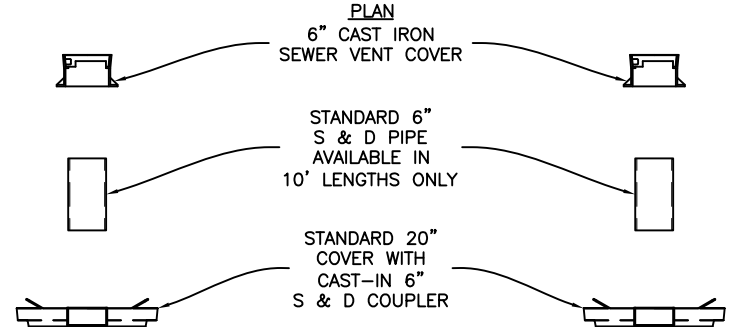
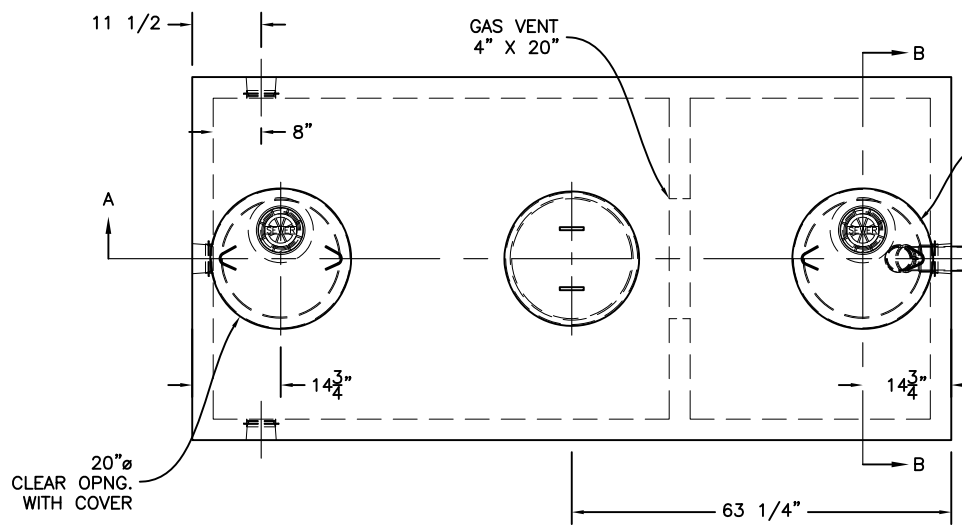


KISTNER CONCRETE PRODUCTS INC.  
8713 READ ROAD  
E. PEMBROKE, N.Y.  
14056  
(716) 894-2267

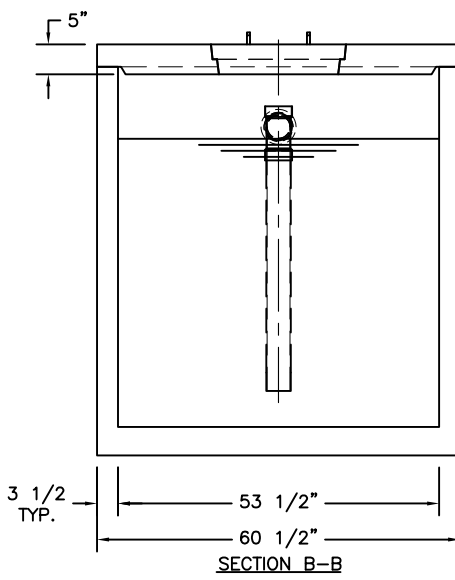
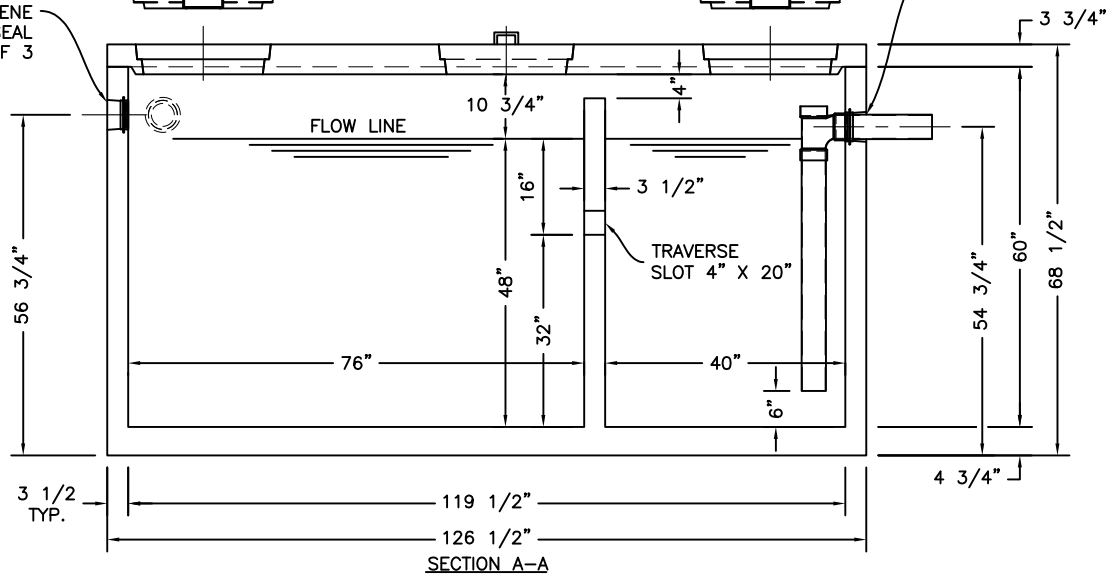
**PRODUCT DESIGNATION**  
**1250 GALLON OIL SEPARATOR - LOW PROFILE**

**DWG. NO.**  
**OS-OS1250-LP**  
11-1-19

**SPECIFICATIONS:**  
**CONCRETE:** 4,000 P.S.I. @ 28 DAYS.  
 5% - 9%  
**ENTRAINED AIR:** A.S.T.M. A496-A615  
**STEEL:** GRADE 60-60 KSI.  
**DESIGN LOADING:** A-0.3/300PSF/WALKWAYS. FLOTATION FORCES NOT ACCOUNTED FOR.  
**PIPING:** OUTLET TEES AND DROP LEGS SUPPLIED & INSTALLED BY G.C.  
**FRAME & COVER & RISERS:** SEE DWG. #GO-NTTNKRSR - "NON-TRAFFIC TANK RISERS".  
**COVER OVER TANK:** MAX. 3' OF EARTH FILL.  
**INCLUDED ITEMS:** 6" SEWER VENT COVER.  
 20"Ø PLUG COVER.  
**WEIGHT:**  
 TOP SECTION: 3,300 LBS.  
 BOTTOM SECTION: 11,475 LBS.  
 TOTAL: 14,775 LBS.



4"Ø INLET WATERTIGHT POLYETHYLENE PIPE SEAL TYP. OF 3



L:\CADD\PRODUCTS\024-SquareRectangular-05x10.5-60X126\OS1250-LP.dwg