

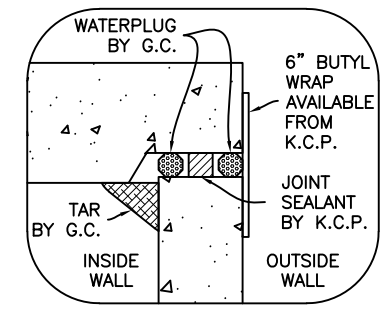
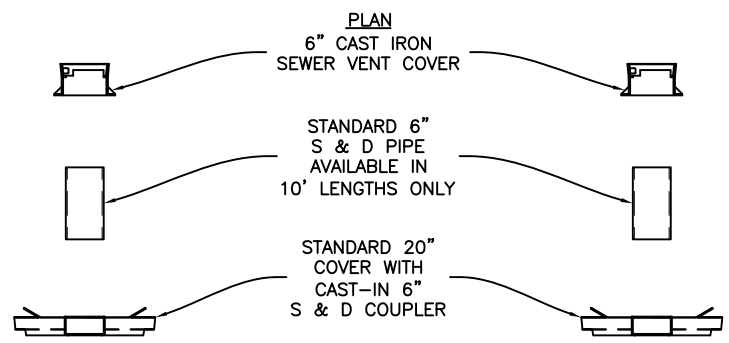
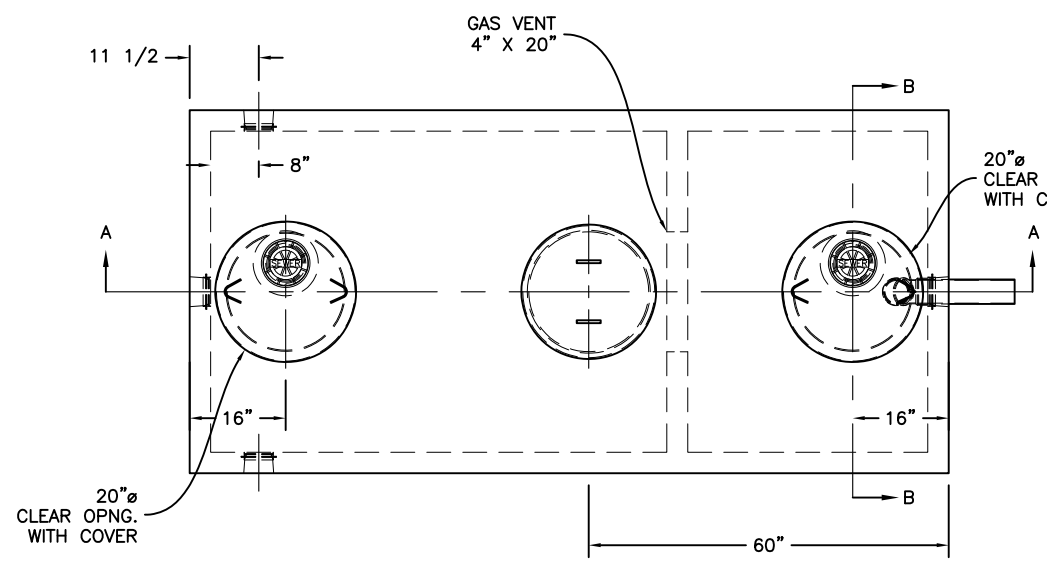


KISTNER CONCRETE PRODUCTS INC.
8713 REARD ROAD
E. PEMBROKE, N.Y.
14056
(716) 894-2267

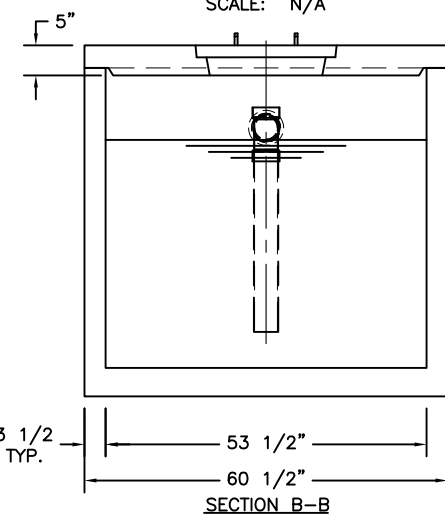
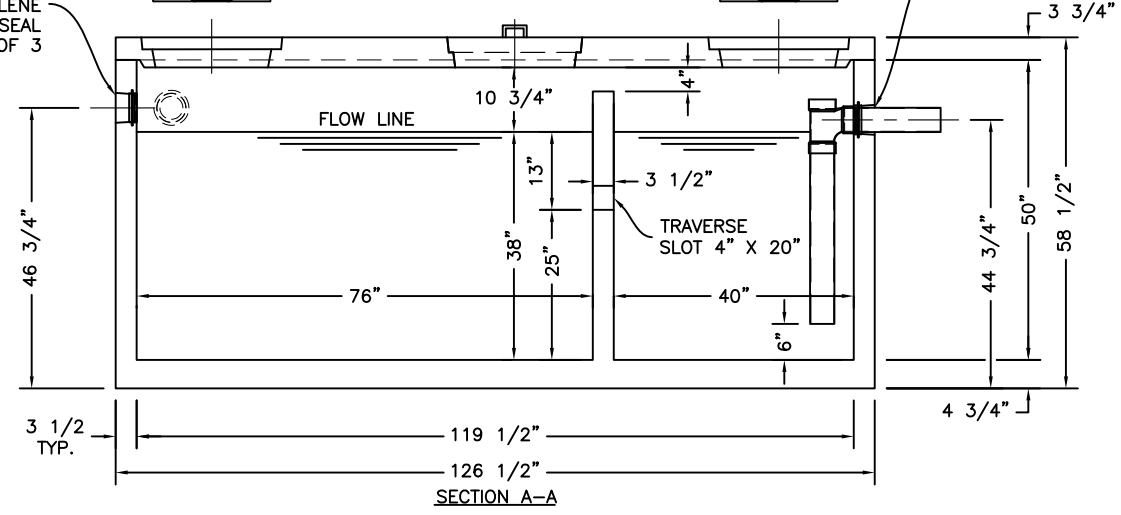
PRODUCT DESIGNATION
1000 GALLON OIL SEPARATOR - LOW PROFILE

DWG. NO.
OS-OS1000-LP
11-1-19

SPECIFICATIONS:
 CONCRETE: 4,000 P.S.I. @ 28 DAYS.
 ENTRAINED AIR: 5% - 9%.
 STEEL: A.S.T.M. A496-A615
 GRADE 60-60 KSI.
 DESIGN LOADING: A-0.3/300PSF/WALKWAYS. FLOTATION FORCES NOT ACCOUNTED FOR.
 PIPING: OUTLET TEES AND DROP LEGS SUPPLIED & INSTALLED BY G.C.
 FRAME & COVER & RISERS: SEE DWG. #GO-NTTNKRSR - "NON-TRAFFIC TANK RISERS".
 COVER OVER TANK: MAX. 3' OF EARTH FILL.
 INCLUDED ITEMS: 6" SEWER VENT COVER.
 20"Ø PLUG COVER.
 WEIGHT:
 TOP SECTION: 3,300 LBS.
 BOTTOM SECTION: 10,110 LBS.
 TOTAL: 13,410 LBS.



4"Ø INLET WATERTIGHT POLYETHYLENE PIPE SEAL TYP. OF 3



L:\CADD\PRODUCTS\024-SquareRectangular-05x10.5-60X126\OS1000-LP.dwg