



**KISTNER CONCRETE PRODUCTS INC.**  
 8713 READ ROAD  
 E. PEMBROKE, N.Y.  
 14056  
 (716) 894-2267

**PRODUCT DESIGNATION**

**MANHOLE 6' DIA. STORM**

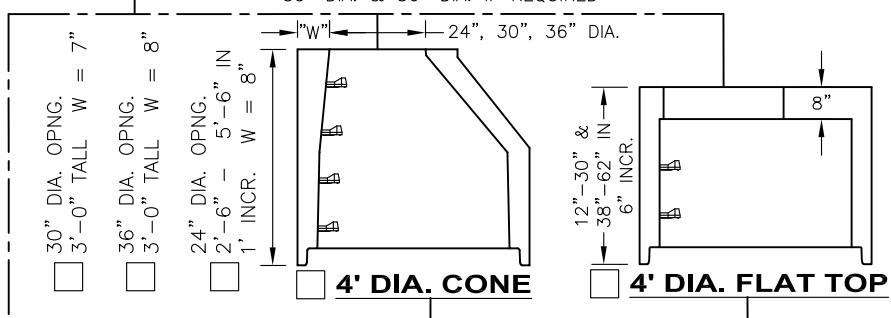
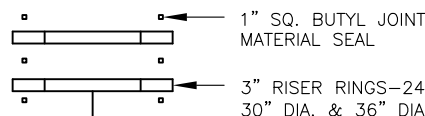
**DWG. NO.**

**MH6ST**

5/23/12

**GENERAL NOTES:**

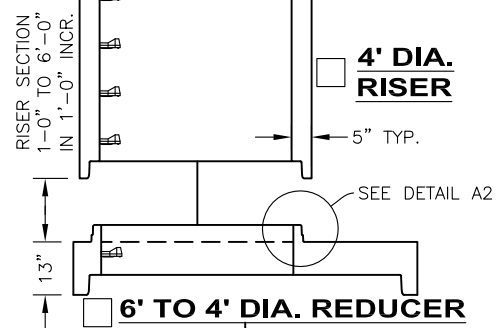
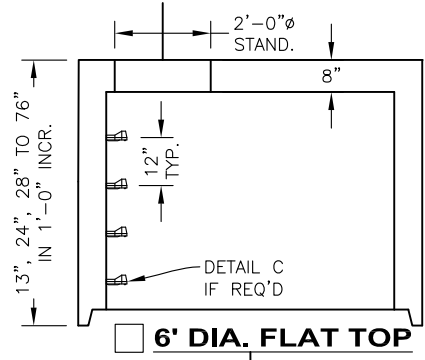
1. REINFORCED STEEL CONFORMS TO ASTM A185 SPEC. 0.18 in<sup>2</sup>/LF AND 0.18 in<sup>2</sup>/LF B/W IN BOT. SLAB 72" DIA. BARREL.
2. REINFORCED STEEL CONFORMS TO ASTM A185 SPEC. 0.12 in<sup>2</sup>/LF 48" DIA. BARREL.
3. CONCRETE COMPRESSIVE STRENGTH 4,000 PSI. MINIMUM.
4. MANHOLE DESIGN SPECIFICATIONS CONFORM TO LATEST ASTM C478 SPEC. FOR PRECAST REINFORCED CONCRETE MANHOLE SECTIONS.
5. ONE POUR MONOLITHIC BASE SECTION.



FLAT TOP SLAB IS STEEL REINFORCED TO MEET OR EXCEED HS-20 LOADING.

**AVAILABLE OPENINGS**

- 24" DIA.
- 24" SQ.
- 30" DIA.
- 

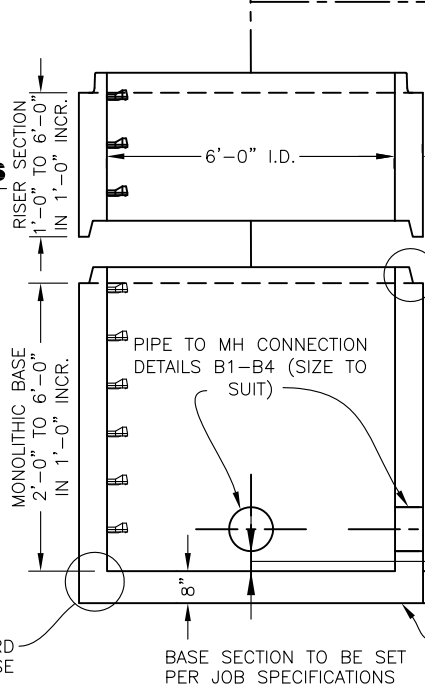


**DIMENSION FROM INVERT TO START OF CONE/REDUCER**

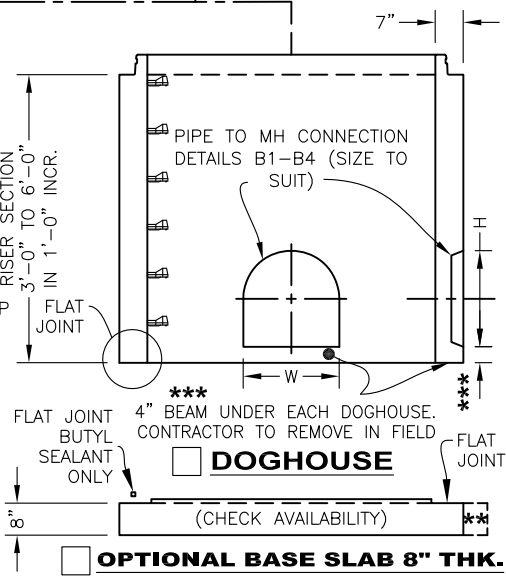
**BITUMASTIC COATINGS**  
 (IF REQ'D) 2 COATS PER FACE

- INSIDE
- OUTSIDE
- NONE

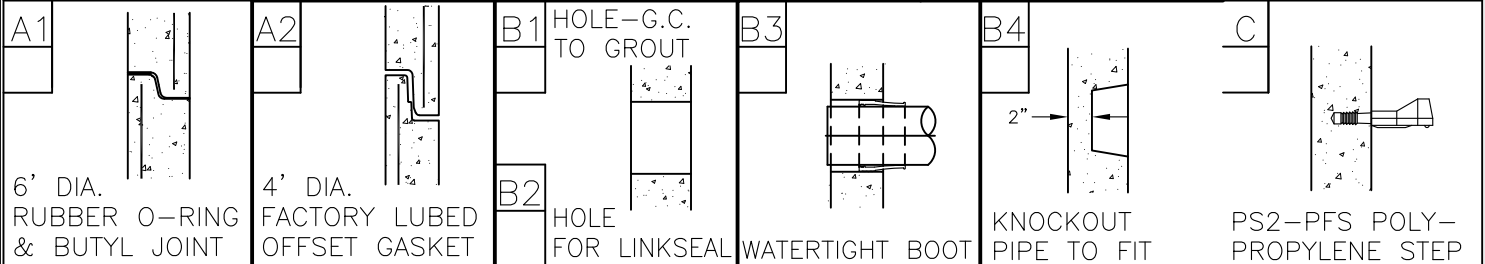
- OPTIONAL BUTYL SEALANT IN ADDITION TO O-RING. MFG. RECOMMENDATION ONLY. (6' JOINT ONLY)



- SEE DETAIL A1
- VARIABLE SUMP \*\*\*
  - 6" SUMP
  - 12" SUMP
  - 24" SUMP
  - " SUMP
- OPTIONAL BUTYL SEALANT ONLY
- OPTIONAL 6" FLANGE



NOTE: STEEL REINFORCED COPOLYMER POLYPROPYLENE PLASTIC STEP CONFORMS TO LATEST ASTM C478 SPEC.



C:\Drawings\New Stuff after 2-26-10\MANHOLES\6' DIA MANHOLES\Types\Storm\MH6ST.DWG