



KISTNER CONCRETE PRODUCTS INC.
8713 READ ROAD
E. PEMBROKE, N.Y.
14056
(716) 894-2267

PRODUCT DESIGNATION

**MANHOLE 6' DIA. SHALLOW
STORM CATCH BASIN**

DWG. NO.

MH6CB-RVL ©

5/23/12

GENERAL NOTES:

1. REINFORCED STEEL CONFORMS TO ASTM A185 SPEC. 0.18 in²/LF AND 0.18 in²/LF B/W IN BOT. SLAB 72" DIA. BAR-REL.
2. CONCRETE COMPRESSIVE STRENGTH 4,000 PSI. MINIMUM.
3. MANHOLE DESIGN SPECIFICATIONS CONFORM TO LATEST ASTM C478 SPEC. FOR PRECAST REINFORCED CONCRETE MANHOLE SECTIONS.
4. ONE POUR MONOLITHIC BASE SECTION.
5. DOGHOUSE:
 - H= _____
 - W= _____

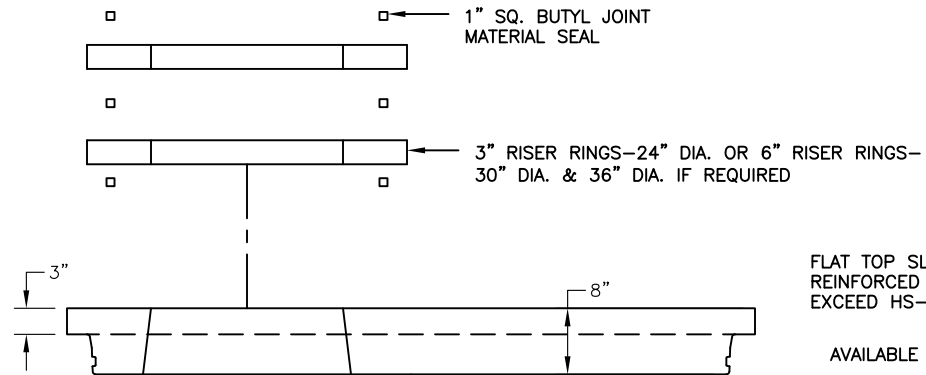
DIMENSION FROM INVERT TO START OF CONE _____

BITUMASTIC COATINGS
(IF REQ'D) 2 COATS PER FACE

- INSIDE
- OUTSIDE
- NONE

STANDARD BASE

OPTIONAL BUTYL SEALANT IN ADDITION TO O-RING. MFG. RECOMMENDATION ONLY. (6' JOINT ONLY)



FLAT TOP SLAB IS STEEL REINFORCED TO MEET OR EXCEED HS-20 LOADING.

AVAILABLE OPENINGS

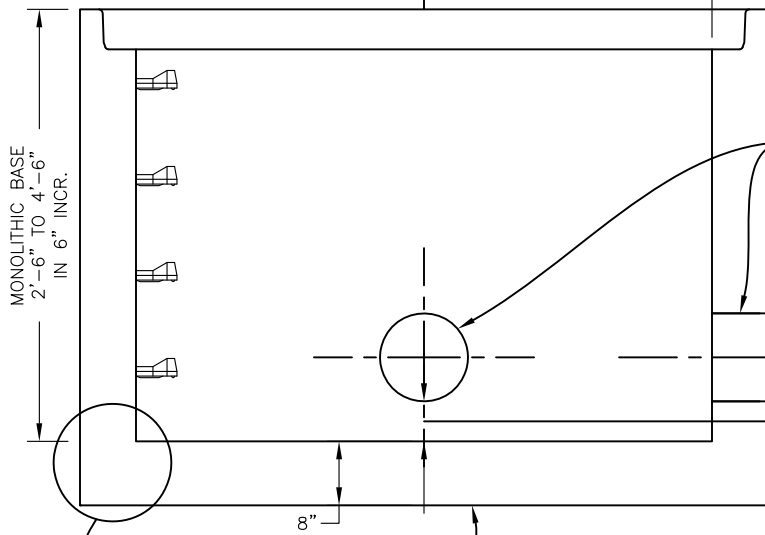
- 24" DIA.
- 24" SQ.
- 30" DIA.
- _____

PIPE OPENINGS DET. B1 THRU B5 (SIZE TO SUIT)

VARIABLE SUMP

- 6" SUMP
- 12" SUMP
- 24" SUMP
- _____ SUMP

OPTIONAL 6" FLANGE



O-RING SECTION JOINT CONFORMS TO LATEST ASTM C443 SPEC.

NOTE: STEEL REINFORCED COPOLYMER POLYPROPYLENE PLASTIC STEP CONFORMS TO LATEST ASTM C478 SPEC.

<p>A</p> <p>6' DIA. RUBBER O-RING & BUTYL JOINT</p>	<p>B1</p> <p>HOLE-G.C. TO GROUT</p> <p>B2</p> <p>HOLE FOR LINKSEAL</p>	<p>B3</p> <p>2"</p> <p>DOGHOUSE PIPE TO FIT</p>	<p>B4</p> <p>WATERTIGHT BOOT</p>	<p>B5</p> <p>2"</p> <p>KNOCKOUT PIPE TO FIT</p>	<p>C</p> <p>PS2-PFS POLYPROPYLENE STEP</p>
---	--	---	----------------------------------	---	--