



# HIGHWAY PRODUCTS

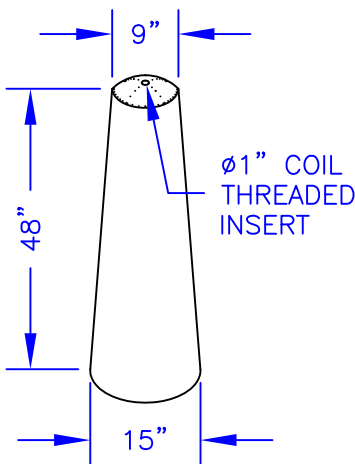
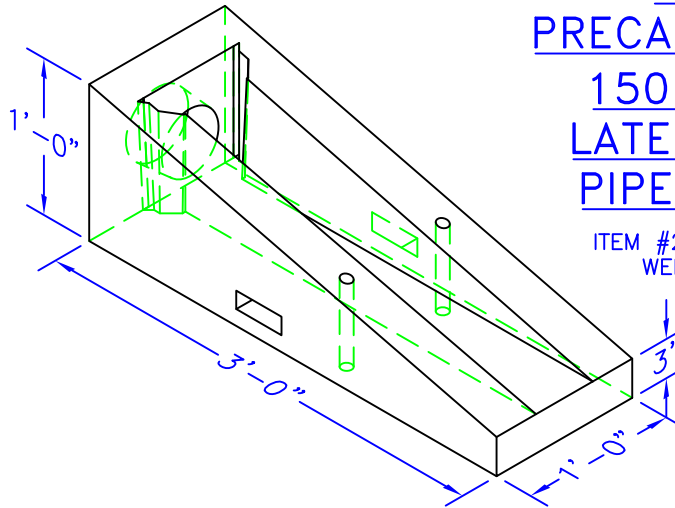
"ALWAYS IN STOCK AND READY FOR SHIPMENT!"

## N.Y.S.D.O.T. PRECAST CONCRETE 100mm. (4"Ø) LATERAL OUTLET PIPE HEADWALL

ITEM #18605.2101M  
WEIGHT - 197.17lbs.

## N.Y.S.T.A. PRECAST CONCRETE 150mm. (6"Ø) LATERAL OUTLET PIPE HEADWALL

ITEM #25 605.210150 m  
WEIGHT - 197.17lbs.

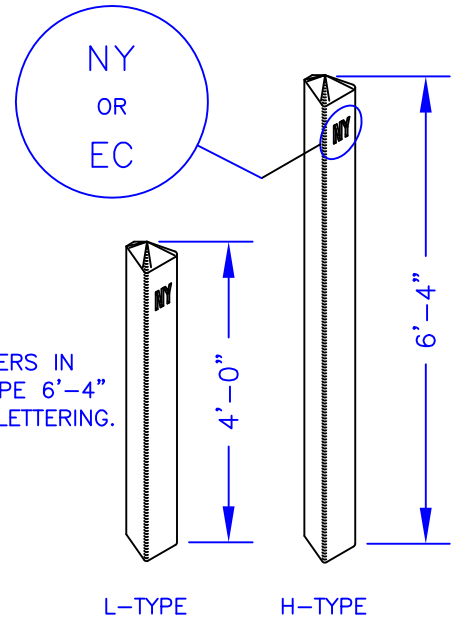


## SURVEY MARKERS

KISTNER CONCRETE PRODUCTS, INC. HAS 4'-0" (1219.2mm.) HIGH N.Y.S.D.O.T. SURVEY MARKERS. UNITS COMPLY WITH N.Y.S.D.O.T. STANDARD SHEET. G.C. SUPPLIES CAP.

\* CODE: HP-SM

ITEM #626-01  
WEIGHT - 467.77lbs.



## RIGHT OF WAY MARKERS

KISTNER CONCRETE PRODUCTS, INC. STOCKS RIGHT OF WAY MARKERS IN TWO DIFFERENT HEIGHTS - L-TYPE 4'-0" (1219.2mm.) AND H-TYPE 6'-4" (1930.4mm.). WITH BRASS PIN CAST IN TOP. PLEASE SPECIFY LETTERING.

\* CODE: HP-ROW-H WEIGHT - 186.49lbs.  
HP-ROW-L WEIGHT - 116.40lbs.

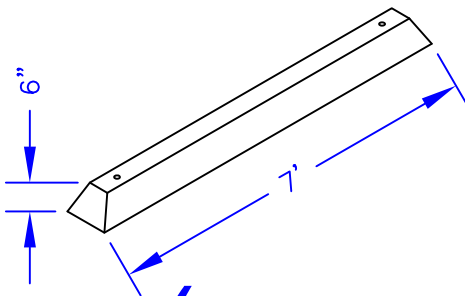
ITEM #625.03

## PARKING BUMPER

KISTNER CONCRETE PRODUCTS, INC. HAS 7'-0" (2133.6mm.) LONG N.Y.S.D.O.T. PARKING BUMPERS. G.C. SUPPLIES STAKES.

\* CODE: HP-PRK-7-DOT

ITEM #609.0  
WEIGHT - 292.16lbs.



**( OTHER HIGHWAY PRODUCTS, INCLUDING BOX CULVERTS, MEDIAN BARRIERS AND PULL BOXES ARE AVAILABLE. CONTACT OUR SALES STAFF FOR MORE INFORMATION. )**

\* CAT-530