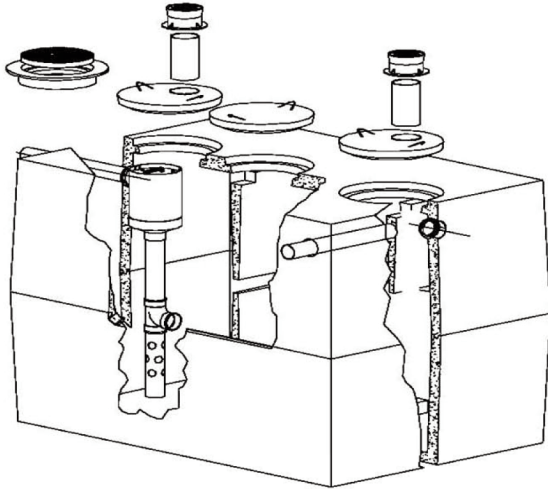
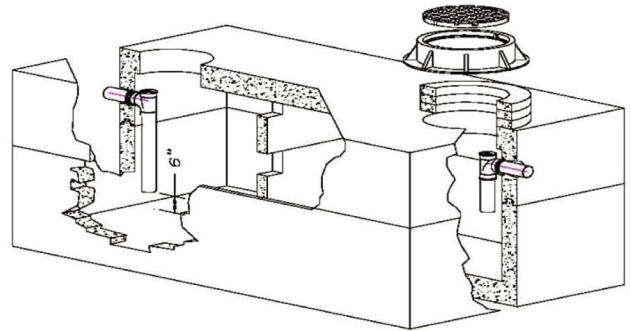




GREASE / OIL SYSTEMS H-20, LOW PROFILE, STANDARD DUTY

IN STOCK NOW!

OIL SEPARATOR
Discharge to Sanitary Sewer
*Contact your sewer department for minimum requirement



IN STOCK NOW!

GREASE INTERCEPTOR
Discharged to Storm Sewer
*Contact your sewer department for minimum requirement

DESIGN CRITERIA * FOR TANKS

Per NYSDEC-EPA-Health Department the following two equations should be used for estimating the size grease traps necessary for restaurants and other types of commercial kitchens. The minimum size grease trap should be 500 gallons.

1. Restaurants:

$(D)(GL)(ST)(HR/2)(LF)$ = size of grease trap, gallons where,
D = Number of seats in dining area
GL = Gallons of wastewater per meal, normally 5 gallons
ST = Storage capacity factor (minimum = 1.7, onsite disposal = 2.5)
HR = Number of hours open
LF = Loading factor (interstate freeways = 1.25, other freeways and recreational areas = 1.0, main highways = 0.8, other highways = 0.5)

2. Hospitals, Nursing Homes, etc.:

$(M)(GL)(ST)(2.5)(LF)$ = size of grease trap, gallons where,
M = Meals per day
GL = Gallons of wastewater per meal, normally 4.5 gallons
ST = Storage capacity factor (minimum = 1.7, onsite disposal = 2.5)
LF = Loading factor (garbage disposal and dishwashing = 1/25, without garbage disposal = 1.0, without dishwashing = 0.75, without dishwashing and garbage disposal = 0.5)

GREASE INTERCEPTOR MANUFACTURER'S RECOMMENDATION (STANDARD)*

BAFFEL: QTY 1 - 2/3 : 1/3 RATIO
CLEANING: @ 75% Bottom of tank to invert or 60 - 120 days
RETENTION TIME: 15 Minutes (Minimum)
DISCHARGE CRITERIA: 200 MG/L
LIQUID DEPTH: 60"

OUTSIDE ACCESS: Required (2)(Minimum)
OUTLET FILTER: Recommended (Cartridge type)
MAINTENANCE: Recommended riser at each access port
DESIGN GUIDELINES: NYSDEC & EPA - Grease formula
NPCA - Recommendations For Designing Grease Interceptors, 2000

* RECOMMENDATIONS ONLY - CONSULT A PROFESSIONAL ENGINEER FOR SPECIFIC SITE CONDITIONS.

ESK OIL / WATER SEPARATOR THAT MEETS EPA REGULATIONS (15PPM) FOR DIRECT DISCHARGE TO WATERWAYS

(PPM - parts per million)



SEE PAGE 113

MEETS EPA GUIDELINES

IN STOCK NOW!