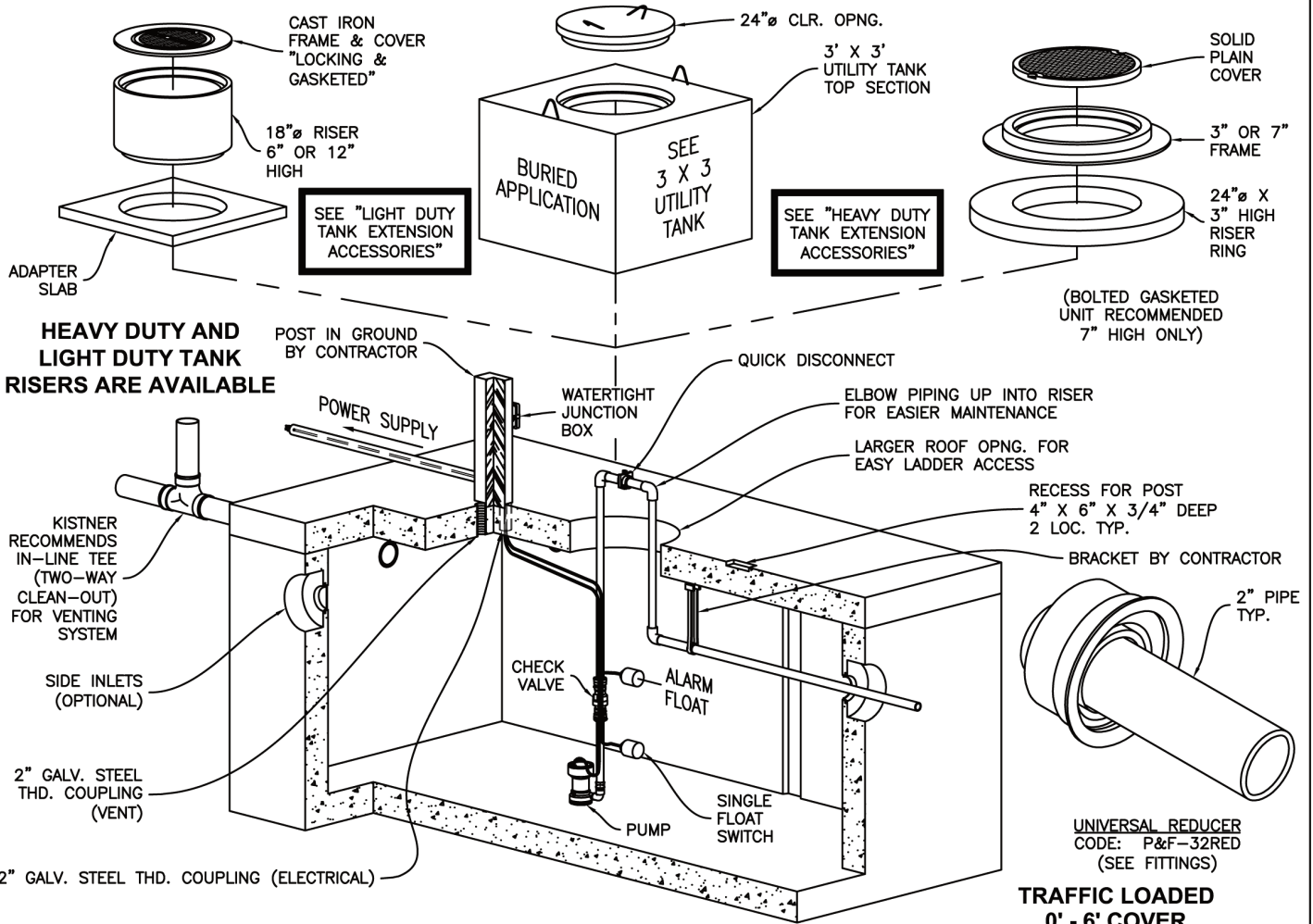




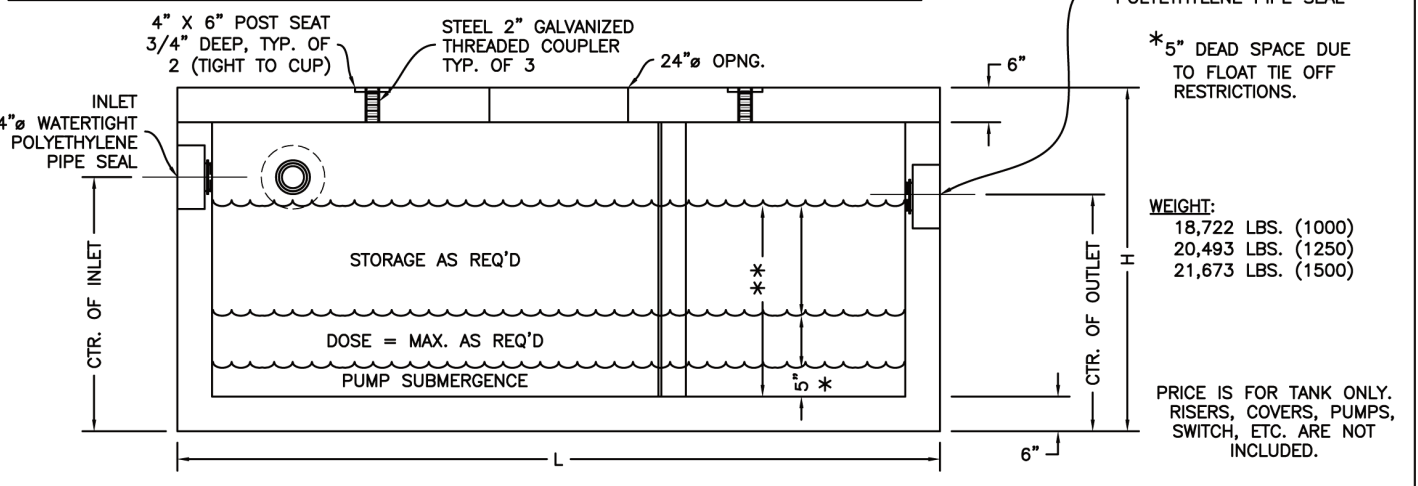
TRAFFIC PUMP TANK 1000/1250/1500 GALLONS

THIS PUMP TANK IS NOT DESIGNED FOR HIGH GROUNDWATER CONDITIONS. HIGH GROUNDWATER PRESSURE MAY EXCEED STRUCTURAL DESIGN. SEE SECTION ON ROUND RESIDENTIAL PUMP TANKS OR CONTACT ENGINEERING STAFF FOR MORE INFORMATION.



HEAVY DUTY AND LIGHT DUTY TANK RISERS ARE AVAILABLE

DESCRIPTION	PRODUCT CODE	GALLONS	L	W	H	CTR. OF INLET	CTR. OF OUTLET	WATER **
PUMP TANK - 1000 GALLON - TRAFFIC	PT-1000-T	1000	11'-0"	6'-0"	4'-11 $\frac{1}{2}$ "	44"	41"	2'-9"
PUMP TANK - 1250 GALLON - TRAFFIC	PT-1250-T	1250	11'-0"	6'-0"	5'-8 $\frac{1}{2}$ "	53"	50"	3'-6"
PUMP TANK - 1500 GALLON - TRAFFIC	PT-1500-T	1500	11'-0"	6'-0"	6'-2 $\frac{1}{2}$ "	61"	58"	4'-2"



© Kistner Concrete Products, Inc., 2016
 PRICES & SPECIFICATIONS ARE SUBJECT TO CHANGE WITHOUT NOTICE.

Rev. 2/15/16
 OFFICE/MC2016/PGXX - PT5X10-T, PRINTED IN USA