



# SEPTIC TANKS

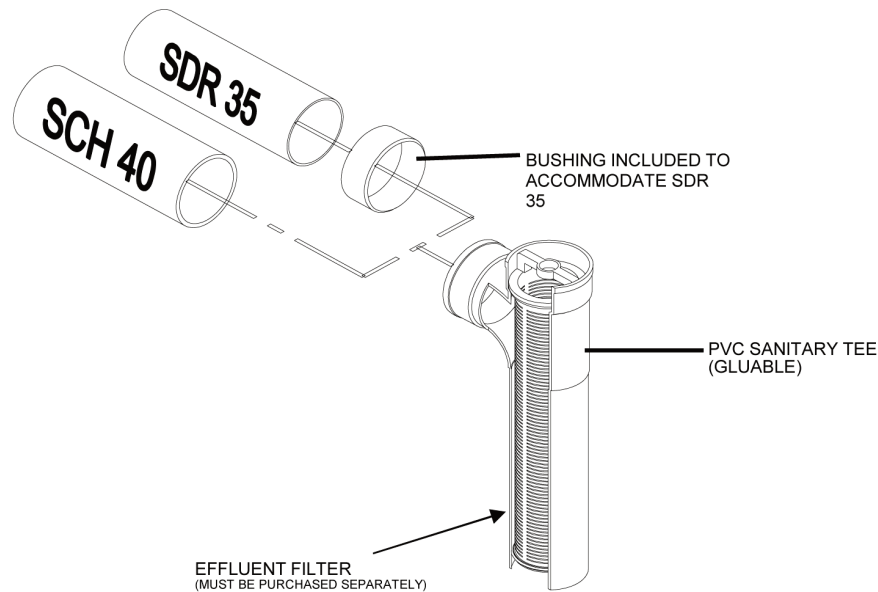
## STANDARD



**Not rated for vehicular traffic loading**

DESCRIPTION	CODE	WT. (LBS.)	L	W	H	CTR OF INLET	CTR OF OUTLET
300	(ST-300)	3,825	53"	53"	47"	38.50"	37.50"
500	(ST-500)	4,886	82"	40"	64"	56.50"	53.50"
750 <b>PUMP TANK</b>	(PT-550)	6,209	96"	48"	65"	57.50"	40.75"
1000 STANDARD	(ST1000)	7,650	96"	62"	64"	56.75"	53.75"
1000 TWO COMPARTMENT	(ST1000-II)	8,350	96"	62"	64"	56.75"	53.75"
1250 TWO COMPARTMENT	(ST1250-II)	9,466	96"	62"	76"	68.50"	65.50"
1500 TWO COMPARTMENT	(ST1500-II)	11,412	102"	70"	76"	68"	65"
2000 TWO COMPARTMENT	(ST-2000-JC)	18,655	153.50'	82"	62.50"	54.62"	51.62"

Kistner Concrete Products does not recommend or endorse the use of standard septic tanks for water storage tanks (cisterns), or any other use where tanks may be empty for prolonged periods of time.



**OUTLET BAFFLE DETAIL**