



N.Y.S.D.O.T. - CB/DI MANHOLE - CATCH BASIN PER N.Y.S.D.O.T. 706-04

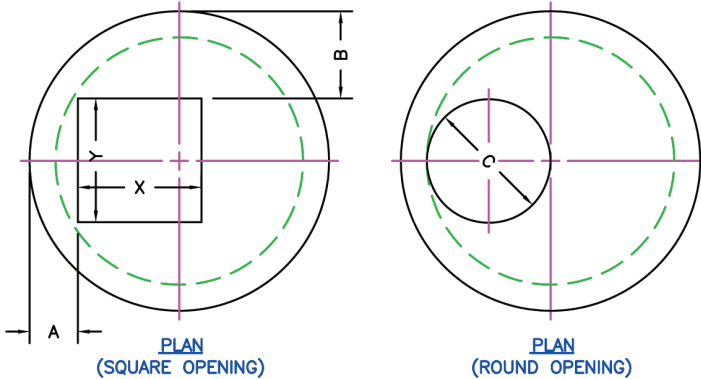
TOP SLAB IS STEEL REINFORCED TO MEET OR EXCEED HS-20 LOADING.

PROJECT: _____

STRUCTURE: _____

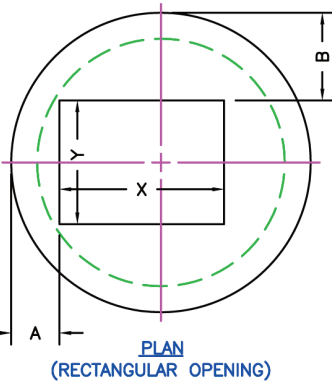
ITEM NO.: _____

NOTE:
STEEL REINFORCED COPOLYMER POLYPROPYLENE PLASTIC STEP CONFORMS TO LATEST A.S.T.M. C478 PARA.11 SPEC. REQUIRED $\geq 4'$ (1219.2mm.) DEPTH MEETS - 725-02



BUTYL SEALANT IN ADDITION

X: _____
Y: _____
A: _____
B: _____
C: _____



- OPENING DIAMETER:
- 24"(609.6mm.) ϕ
 - 32"(812.8mm.) ϕ
 - 36"(914.4mm.) ϕ

CATCH BASIN MANHOLE DIAMETER:	WALL		BASE	
	4' DIA. (1219.2mm.)	5" (127.0mm.)	8" (203.2mm.)	8" (203.2mm.)
<input type="checkbox"/> 5' DIA. (1524.0mm.)	6" (152.4mm.)	8" (203.2mm.)	8" (203.2mm.)	8" (203.2mm.)
<input type="checkbox"/> 6' DIA. (1828.8mm.)	7" (177.8mm.)	8" (203.2mm.)	8" (203.2mm.)	8" (203.2mm.)
<input type="checkbox"/> 8' DIA.* (2438.4mm.)	9" (228.6mm.)	14" (355.6mm.)	14" (355.6mm.)	14" (355.6mm.)
<input type="checkbox"/> 10' DIA.* (3048.0mm.)	10" (254.0mm.)	14" (355.6mm.)	14" (355.6mm.)	14" (355.6mm.)

* = VARIES PER DIA. USED.

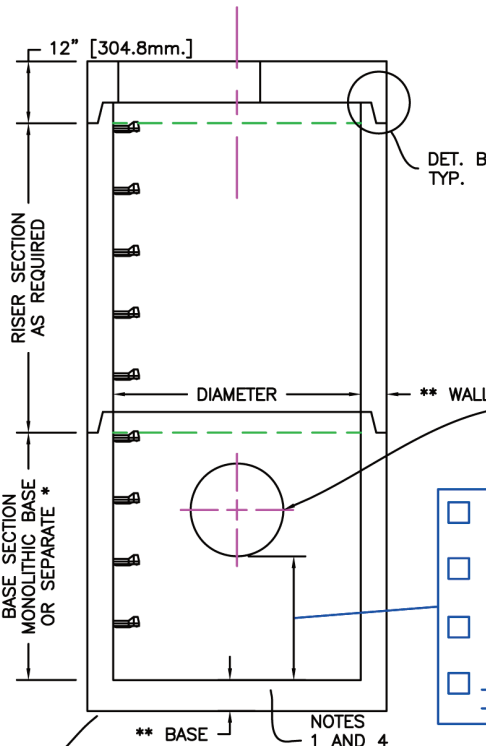
SEE SECTION 14 FOR PIECE DETAILS FOR EACH DIAMETER.

PIPE TO MANHOLE CONNECTIONS	PS2-PF	POLYPROPYLENE STEP		A
	BUTYL RUBBER	SECTION JOINT		B
PIPE TO MANHOLE CONNECTIONS	* KNOCKOUT	PIPE TO FIT	PIPE SIZE:	2" [50.8 mm.]
	* PIPE TO FIT			
PIPE TO MANHOLE CONNECTIONS	* HOLE	* PIPE TO FIT	PIPE SIZE:	C2

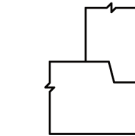
* MIN. 2"(50.8mm.), MAX. 3"(76.2mm.) BETWEEN OUTSIDE PIPE & OPENING.

GENERAL NOTES:

- REINFORCED STEEL CONFORMS TO LATEST A.S.T.M. A185 SPEC. ** SQ. IN./LINEAR FT. AND ** SQ. IN. (BOTH WAYS) IN BASE SLAB.
- CONCRETE COMPRESSIVE STRENGTH - 4000 P.S.I. MINIMUM.
- MANHOLE DESIGN SPECIFICATIONS CONFORM TO LATEST A.S.T.M. C478 SPEC. FOR "PRECAST REINFORCED CONCRETE MANHOLE SECTIONS."
- SINGLE POUR MONOLITHIC BASE SECTION. ** 8'(2438.4mm.) & 10'(3048.0mm.) DIA. SEPARATE BASE.



- 6" SUMP (152.4mm.)
- 12" SUMP (304.8mm.)
- 24" SUMP (609.6mm.)
- " SUMP mm.



** 8'(2438.4mm.) & 10'(3048.0mm.) DIA. SEPARATE BASE.

STANDARD BASE

8"(203.2mm.) THICK. BASE SLAB