



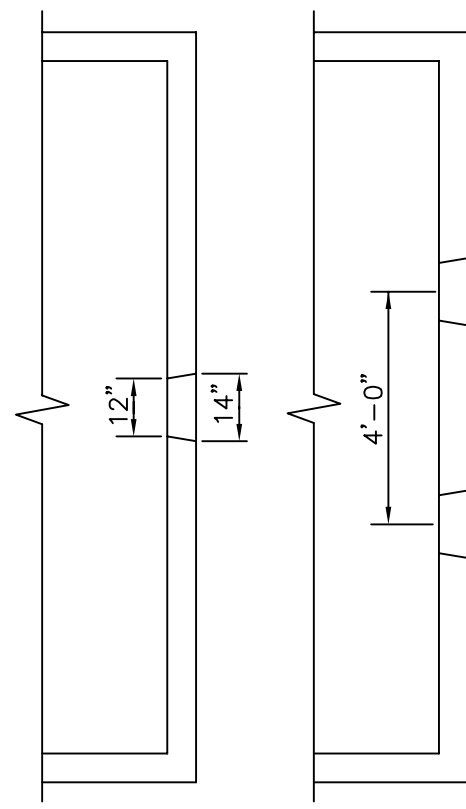
KISTNER CONCRETE
 PRODUCTS, INC.
 8713 READ ROAD
 E. PEMBROKE, N.Y.
 14056
 (716) 894-2267

PRODUCT DESIGNATION

1" TYPE DOSING CHAMBER

DWG. NO.

DC-1-TYPE

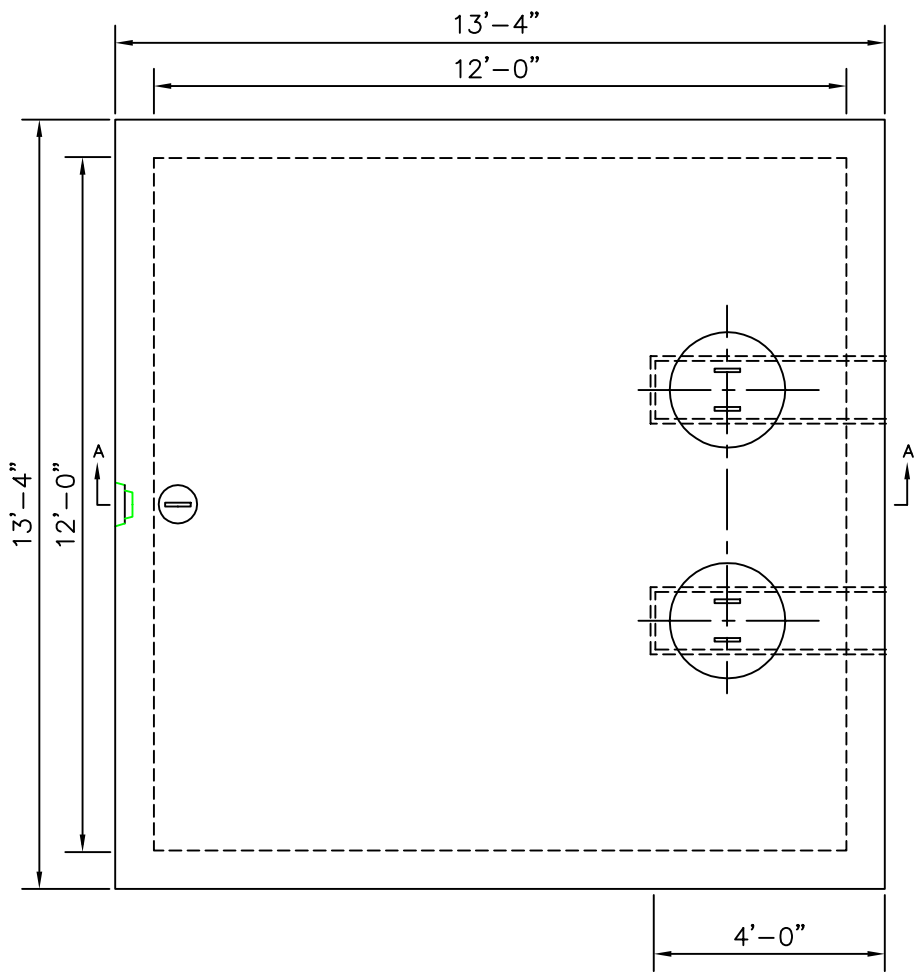


- PARTIAL SIDE VIEW OF SINGLE SIPHON.
- PARTIAL SIDE VIEW OF DOUBLE ALTERNATING SIPHONS.

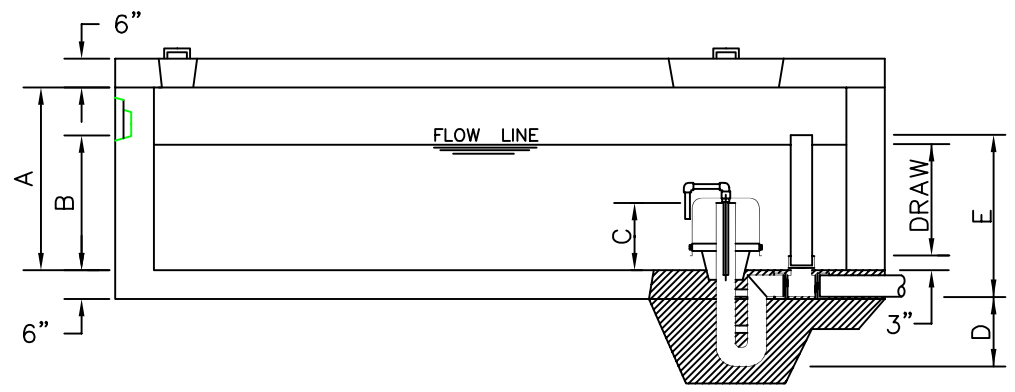
- SPECIFICATIONS:
 CONCRETE: 4,000 P.S.I. @ 28 DAYS.
 ENTRAINED AIR: 5% - 9%.
 STEEL: A.S.T.M. A496-A615
 GRADE 60-60 KSI.
 DESIGN LOADING: A-0.3/300PSF/WALKWAYS.

- SPECIFICATIONS:
 CONCRETE: 4000 P.S.I. @ 28 DAYS.
 ENTRAINED AIR: 5% - 9%.
 STEEL: A.S.T.M. A496-A615
 GRADE 60-60 KSI.
 DESIGN LOADING: A.A.S.H.T.O. HS-20-44
 WITH 30% IMPACT AND
 EQUIVALENT SOIL PRESSURE
 OF 130 (PSI).

SIPHON	GAL	DRAW	A	B	C	D	E
6.30	2693	30"	45"	35"	16"	30"	45"
8.36	3231	36"	51"	41"	20"	30"	49.5"



PLAN



SECTION A-A

