

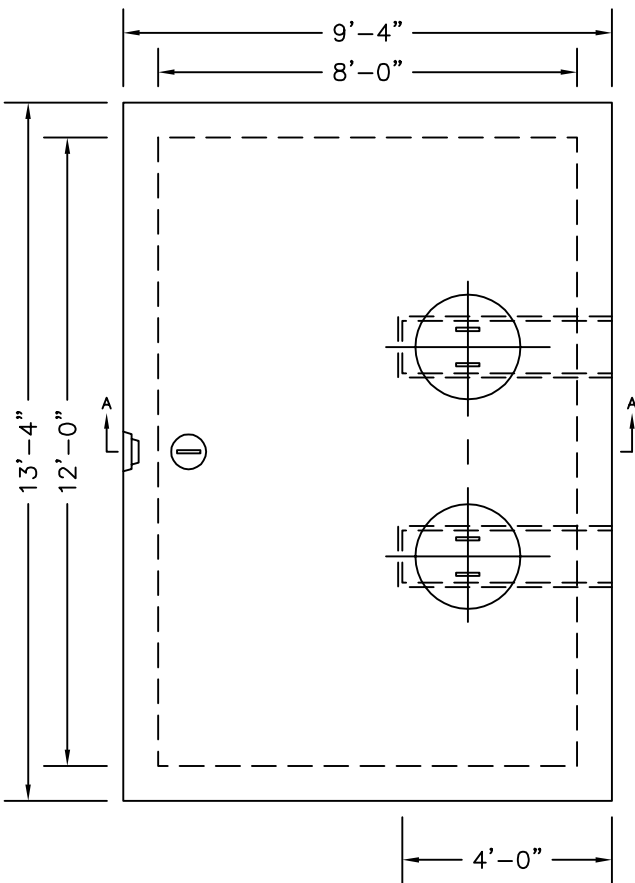


KISTNER CONCRETE PRODUCTS INC.
 8713 READ ROAD
 E. PEMBROKE, N.Y.
 14056
 (716) 894-2267

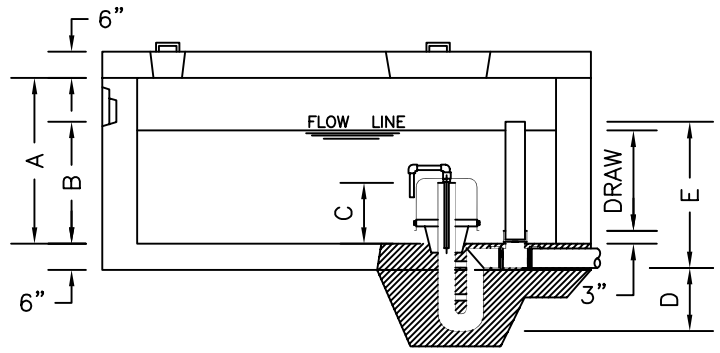
PRODUCT DESIGNATION
 "H" TYPE DOSING CHAMBER

DWG. NO.
 DC-H-TYPE

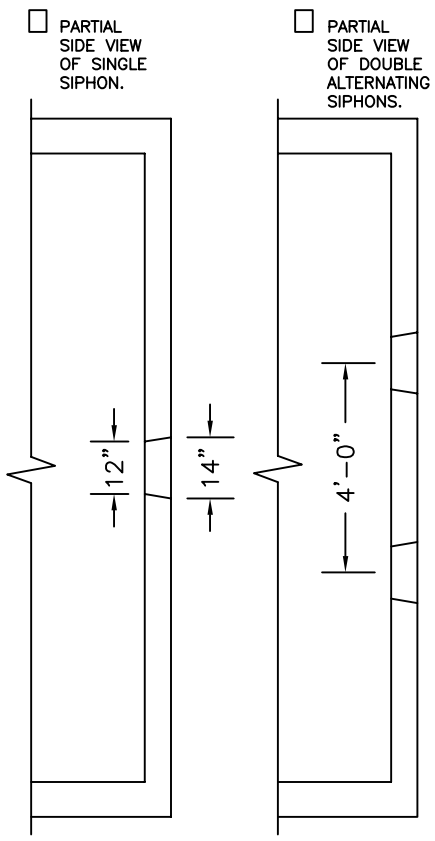
11-8-05



PLAN



SECTION A-A



PARTIAL SIDE VIEW OF SINGLE SIPHON.

PARTIAL SIDE VIEW OF DOUBLE ALTERNATING SIPHONS.

SPECIFICATIONS:
 CONCRETE: 4000 P.S.I. ● 28 DAYS.
 ENTRAINED AIR: 5% - 9%.
 STEEL: A.S.T.M. A496-A615 GRADE 60-60 KSI.
 DESIGN LOADING: A-0.3/300PSF/WALKWAYS.

SPECIFICATIONS:
 CONCRETE: 4000 P.S.I. ● 28 DAYS.
 ENTRAINED AIR: 5% - 9%.
 STEEL: A.S.T.M. A496-A615 GRADE 60-60 KSI.
 A.A.S.H.T.O. HS-20-44 WITH 30% IMPACT AND EQUIVALENT SOIL PRESSURE OF 130 (PSI).
 WEIGHT: 630: TOP: 13,169 LBS. BOTTOM: 31,773 LBS. TOTAL: 44,942 LBS.
 836: TOP: 13,169 LBS. BOTTOM: 34,275 LBS. TOTAL: 47,444 LBS.

SIPHON	GAL	DRAW	A	B	C	D	E
630	1795	30"	45"	35"	16"	30"	45"
836	2150	36"	51"	41"	20"	30"	49.5"