



KISTNER CONCRETE PRODUCTS INC.  
8713 READ ROAD  
E. PEMBROKE, N.Y.  
14056  
(716) 894-2267

PRODUCT DESIGNATION

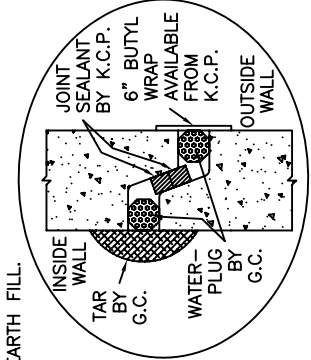
6000 GALLON "K-SEP" GREASE INTERCEPTOR

DWG. NO.

GI-KSEP-GI6000©

1-18-07

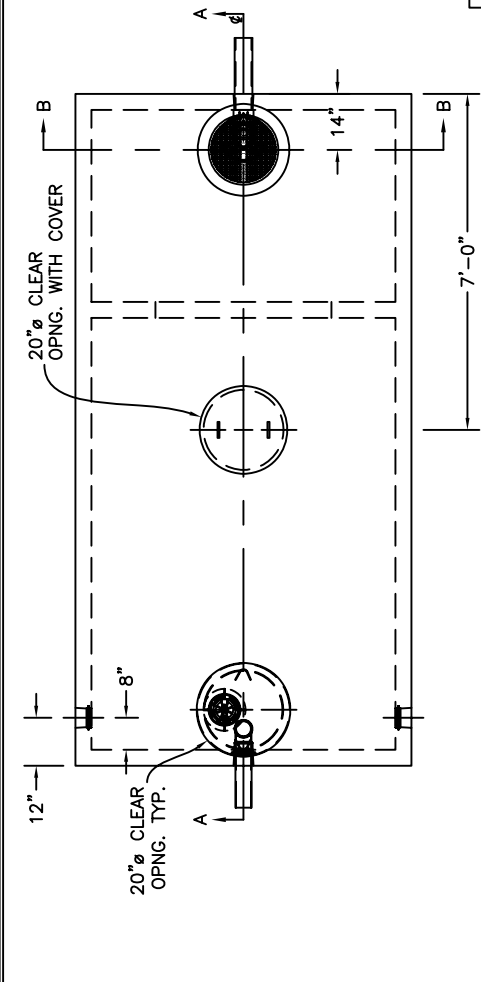
- SPECIFICATIONS:**
- CONCRETE: 4,000 P.S.I. @ 28 DAYS.
  - ENTRAINED AIR: 5% - 9%.
  - STEEL: A.S.T.M. A496-A615 GRADE 60-60 KSI.
  - DESIGN LOADING: A-0.3/300PSF/WALKWAYS. FLOTATION FORCES NOT ACCOUNTED FOR.
  - PIPING: OUTLET TEES, DROP LEGS & FITTINGS SUPPLIED & INSTALLED BY CONTR. CONTR. TO DRILL MIN. 6"-2" HOLES BELOW TEE FITTING STARTING 6" OFF FLOOR.
  - FRAME & COVER & RISERS: SEE DWG. #ST-NITNKRSR - "NON-TRAFFIC TANK RISERS".
  - COVER OVER TANK: MAX. 3" OF EARTH FILL.
  - WEIGHT: TOP SECTION: 16,829 LBS.
  - MID-SECTION: 8,936 LBS.
  - BOTTOM SECTION: 16,655 LBS.
  - TOTAL: 42,420 LBS.



WATERTIGHT JOINT DETAIL  
SCALE: N/A

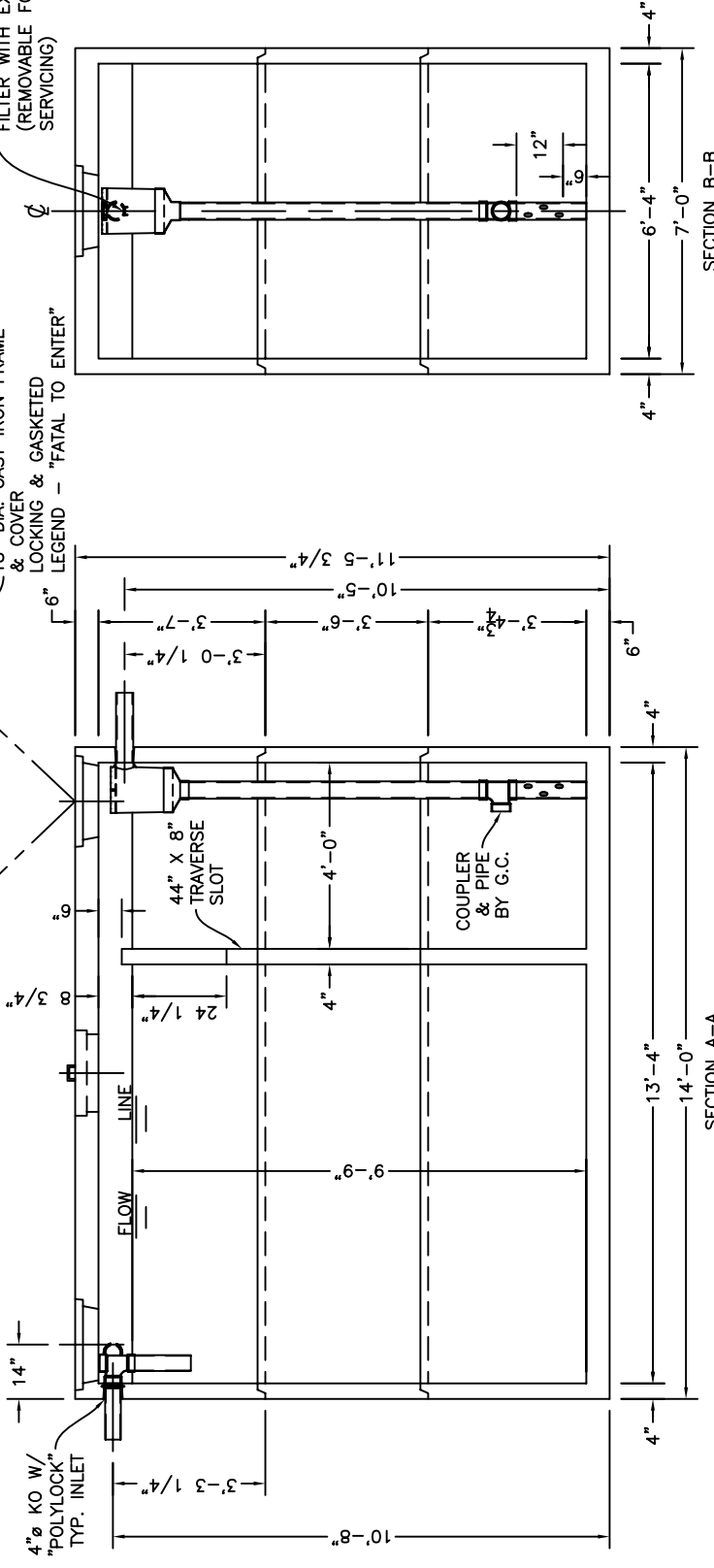
- OPTIONAL A300 TERTIARY EFFLUENT POLISHING FILTER WITH EXTENSION (REMOVABLE FOR SERVICING)

- STANDARD 20" COVER WITH 6" PVC COUPLER CAST IN WITH 6" SEWER VENT COVER ARE INCLUDED IF 18" DIA. FRAME & COVER ARE NOT USED
- OPTIONAL - (REQ'D IF EFFLUENT FILTER IS USED) 18" DIA. CAST IRON FRAME & COVER LOCKING & GASKETED LEGEND - "FATAL TO ENTER"

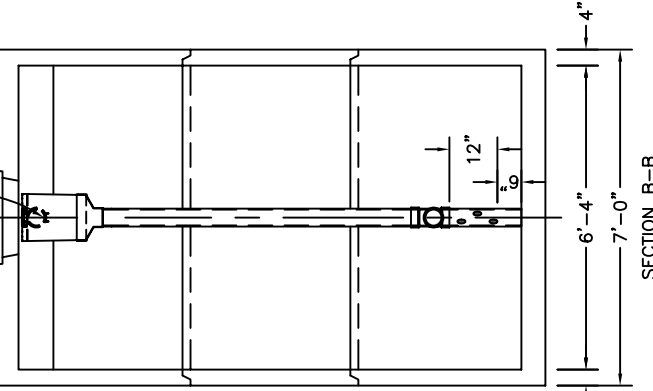


TOP VIEW

- 6" CAST IRON SEWER VENT COVER
- STANDARD 6" S & D PIPE AVAILABLE IN 10' LENGTHS ONLY
- STANDARD 20" COVER WITH CAST-IN 6" S & D COUPLER



SECTION A-A



SECTION B-B