



KISTNER CONCRETE PRODUCTS INC.
8713 READ ROAD
E. PEMBROKE, N.Y.
14056
(716) 894-2267

PRODUCT DESIGNATION

DWG. NO.

4500 GALLON "K-SEP" GREASE INTERCEPTOR

GI-KSEP-GI4500©

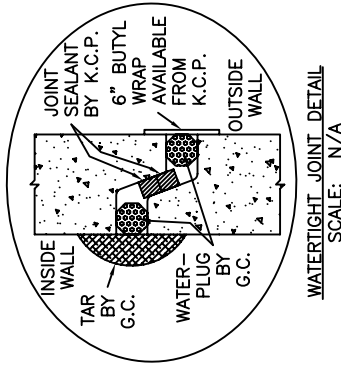
1-18-07

4,000 P.S.I. @ 28 DAYS.
5% - 9%
A.S.T.M. A496-A615
GRADE 60-60 KSI.
A-0.3/300PSF/WALKWAYS. FLOTATION FORCES NOT ACCOUNTED FOR.
OUTLET TEES, DROP LEGS & FITTINGS SUPPLIED & INSTALLED BY CONTR.
CONTR. TO DRILL MIN. 6"-2" HOLES BELOW TEE FITTING STARTING 6" OFF FLOOR.
SEE DWG. #ST-NTTKRSR - "NON-TRAFFIC TANK RISERS".

SPECIFICATIONS:
CONCRETE: ENTRAINED AIR:
STEEL:
DESIGN LOADING:
PIPING:
FRAME & COVER & RISERS:

COVER OVER TANK: MAX. 3" OF EARTH FILL.

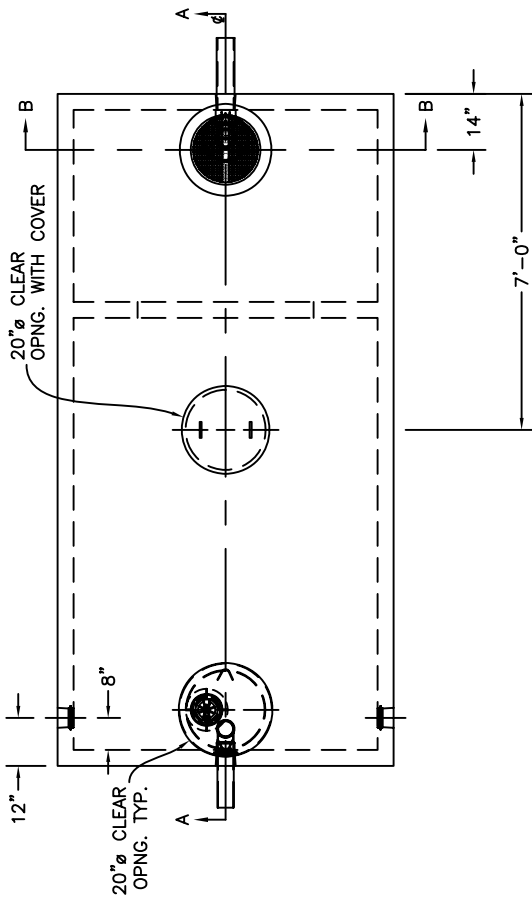
WEIGHT:
TOP SECTION: 16,829 LBS.
MID-SECTION: 8,936 LBS.
BOTTOM SECTION: 11,177 LBS.
TOTAL: 36,942 LBS.



WATERTIGHT JOINT DETAIL
SCALE: N/A

OPTIONAL A300 TERTIARY EFFLUENT POLISHING FILTER WITH EXTENSION (REMOVABLE FOR SERVICING)

OPTIONAL - (REQ'D IF EFFLUENT FILTER IS USED)
18" DIA. CAST IRON FRAME & COVER LOCKING & GASKETED LEGEND - "FATAL TO ENTER"



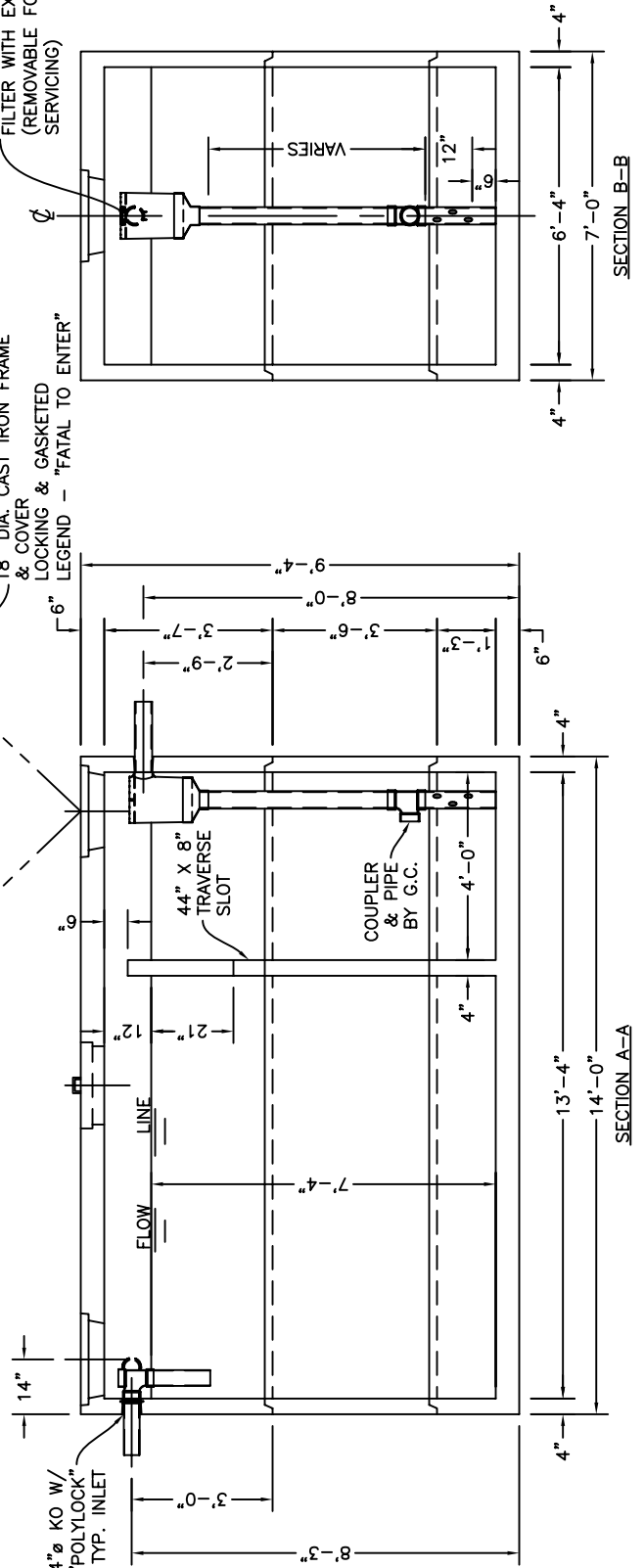
TOP VIEW

STANDARD 20" COVER WITH 6" PVC COUPLER CAST IN WITH 6" SEWER VENT COVER ARE INCLUDED IF 18" DIA. FRAME & COVER ARE NOT USED

6" CAST IRON SEWER VENT COVER

STANDARD 6" S & D PIPE AVAILABLE IN 10' LENGTHS ONLY

STANDARD 20" COVER WITH CAST-IN 6" S & D COUPLER



SECTION A-A

SECTION B-B