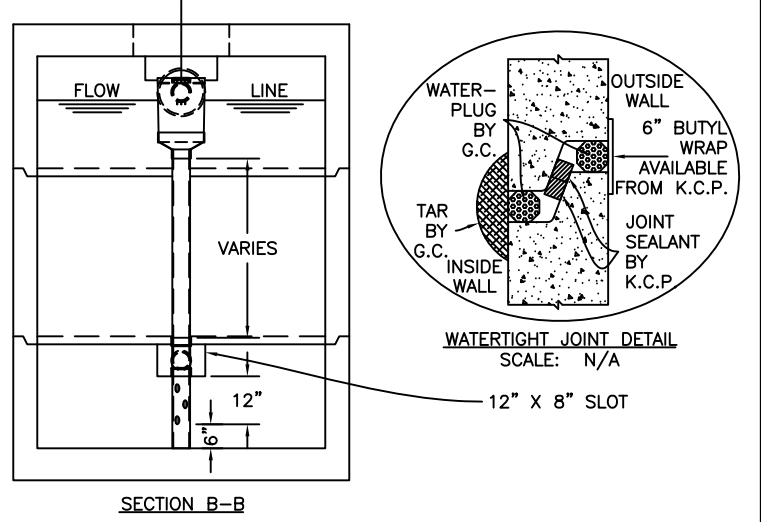


SP-7A
SPECIFICATIONS:
CONCRETE: 5,000 P.S.I. @ 28 DAYS.
ENTRAINED AIR: 5% - 8%.
STEEL: A.S.T.M. A496-A615 GRADE 60-80 KSI.
DESIGN LOADING: ACI 318-99 TRAFFIC. USE ACI LOAD FACTORS. A.A.S.H.T.O. METHOD OF DESIGN. EQUIVALENT SOIL PRESSURE OF 40 (PCF).
LIVE LOAD: H20.
EARTH FILL: 0 TO 6'.
WATER TABLE: 3' BELOW GRADE.
PIPING: TEES, DROP LEGS & FITTINGS SUPPLIED & INSTALLED BY CONTR. CONTR. TO DRILL MIN. 6-2" HOLES BELOW TEE FITTING STARTING 6" OFF FLOOR.
FRAME & COVER & RISERS: SEE DWG. #ST-HDTRRSR - "TRAFFIC TANK RISERS".
WEIGHT:
 TOP SECTION: 16,712 LBS.
 MID-SECTION: 11,935 LBS.
 BOTTOM SECTION: 18,007 LBS.
 TOTAL: 46,654 LBS.
WATERTIGHT ASSEMBLY IS THE RESPONSIBILITY OF THE INSTALLING CONTRACTOR. ASK FOR KISTNER "WATERTIGHT JOINT INSTALLATION" DETAIL.
PIPE OPENINGS STOCK:

- PIPE SEALS REQUIRED
- 4" PVC - OPENING WITH SEAL - STOCK
- 6" PVC - OPENING STOCK - SEAL TO BE INSTALLED
- 8" PVC - OPENING STOCK - SEAL TO BE INSTALLED
- GROUTED OPENINGS ONLY - REQUIRED
- 4" PVC - OPENING WITH SEAL - STOCK
- 6" PVC - STOCK KNOCKOUT TO BE BROKEN OUT BY CONTRACTOR
- 8" PVC - STOCK KNOCKOUT TO BE BROKEN OUT BY CONTRACTOR



PRECAST

KISTNER CONCRETE PRODUCTS, INC.
 8713 READ ROAD
 E. PEMBROKE, N.Y.
 14056
 (716) 894-2267

PRODUCT DESIGNATION

3700 GALLON "K-SEP"

GREASE INTERCEPTOR - TRAFFIC

DWG. NO.

G1KSEP-G13700T ©

10/17/12