



KISTNER CONCRETE PRODUCTS INC.
8713 READ ROAD
E. PEMBROKE, N.Y.
14056
(716) 894-2267

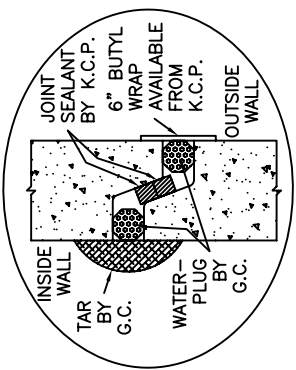
PRODUCT DESIGNATION

2500 GALLON "K-SEP" GREASE INTERCEPTOR

DWG. NO.

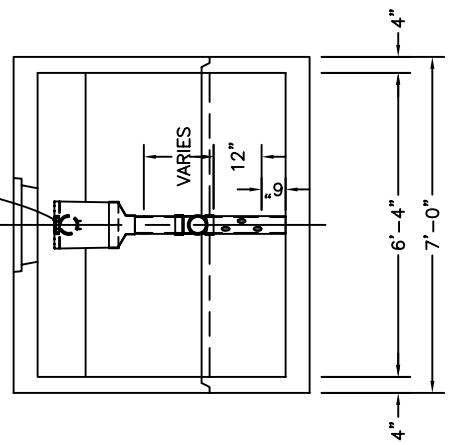
GI-KSEP-GI2500©
1-18-07

SPECIFICATIONS:
CONCRETE: 4,000 P.S.I. @ 28 DAYS.
ENTRAINED AIR: 5% - 9%.
STEEL: A.S.T.M. A496-A615
GRADE 60-60 KSI.
DESIGN LOADING: A-0.3/300PSF/WALKWAYS. FLOTATION FORCES NOT ACCOUNTED FOR.
PIPING: OUTLET TEES, DROP LEGS & FITTINGS SUPPLIED & INSTALLED BY CONTR.
FRAME & COVER: CONTR. TO DRILL MIN. 6"-2" HOLES BELOW TEE FITTING STARTING 6" OFF FLOOR.
SEE DWG. #ST-NTTKRSR - "NON-TRAFFIC TANK RISERS".
COVER OVER TANK: MAX. 3' OF EARTH FILL.
WEIGHT: TOP SECTION: 16,829 LBS.
BOTTOM SECTION: 12,028 LBS.
TOTAL: 28,857 LBS.

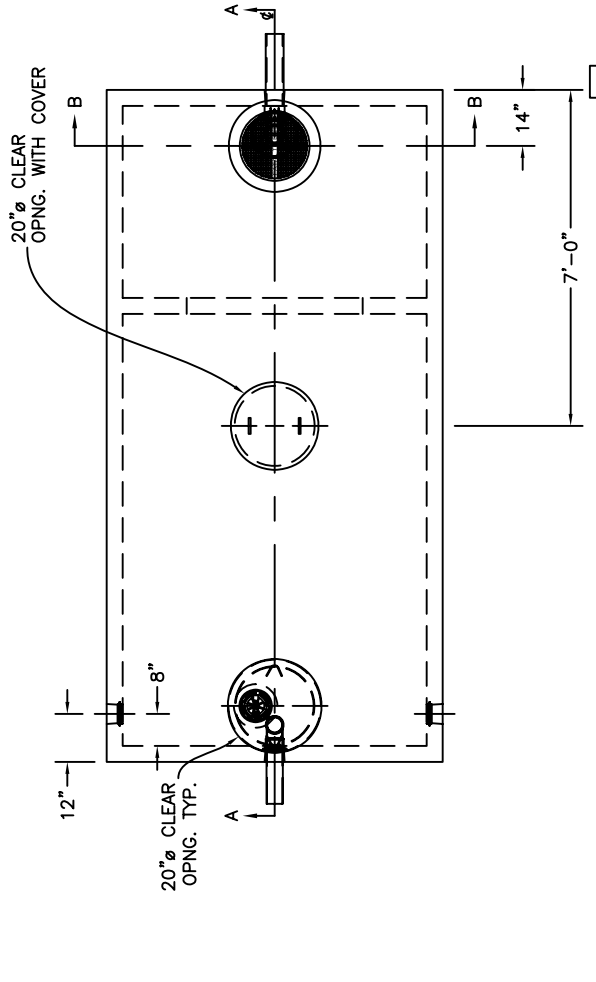


WATERTIGHT JOINT DETAIL
SCALE: N/A

OPTIONAL
A300 TERTIARY
EFFLUENT POLISHING
FILTER WITH EXTENSION
(REMOVABLE FOR
SERVICING)



SECTION B-B

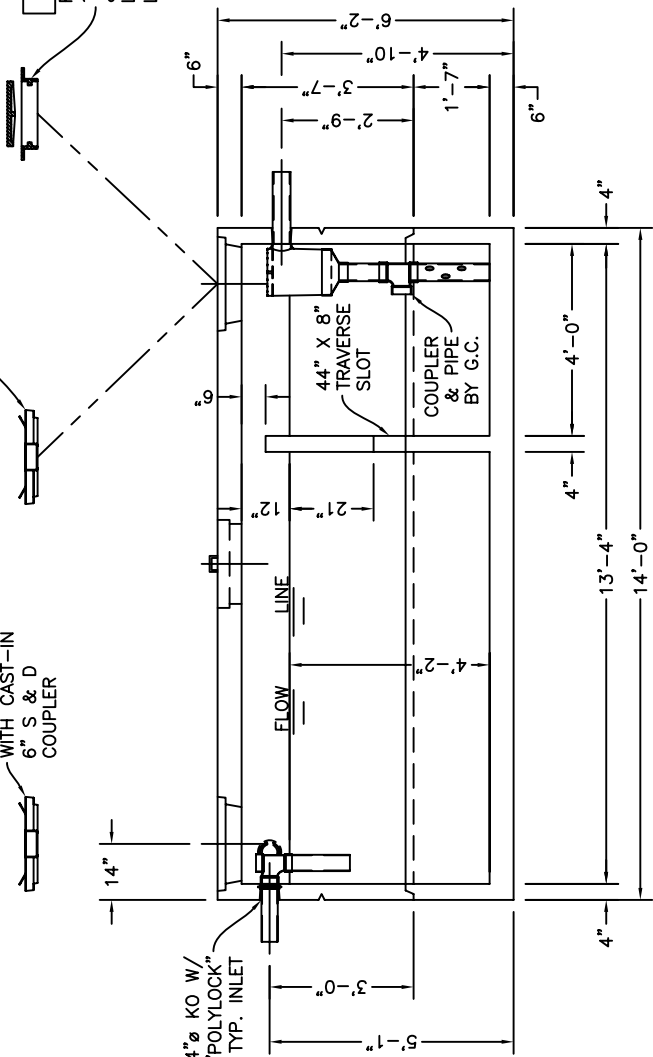


STANDARD 20" COVER WITH
6" PVC COUPLER CAST IN
WITH 6" SEWER VENT COVER
ARE INCLUDED IF 18" DIA.
FRAME & COVER ARE NOT USED

TOP VIEW

6" CAST IRON
SEWER VENT COVER
STANDARD 6" S & D
PIPE AVAILABLE IN
10' LENGTHS ONLY
STANDARD
20" COVER
WITH CAST-IN
6" S & D
COUPLER

OPTIONAL - (REQ'D IF EFFLUENT
FILTER IS USED)
18" DIA. CAST IRON FRAME
& COVER
LOCKING & GASKETED
LEGEND - "FATAL TO ENTER"



SECTION A-A