



KISTNER CONCRETE PRODUCTS INC.  
8713 READ ROAD  
E. PEMBROKE, N.Y.  
14056  
(716) 894-2267

PRODUCT DESIGNATION

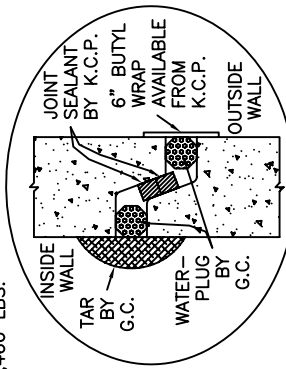
DWG. NO.

1250 GALLON "K-SEP" GREASE INTERCEPTOR

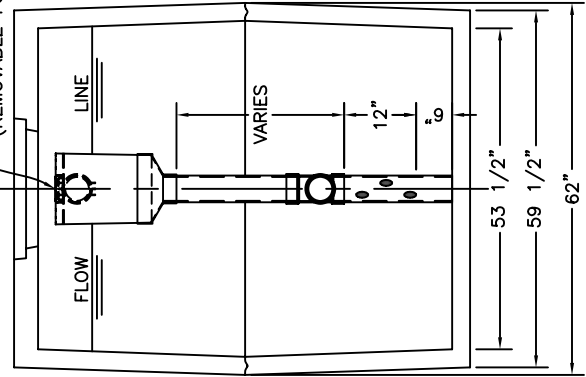
GI-KSEP-GI1250 ©  
1-16-07

**SPECIFICATIONS:**  
CONCRETE: 4,000 P.S.I. @ 28 DAYS.  
ENRAINED AIR: 5% - 9%.  
STEEL: A.S.T.M. A496-A615 GRADE 60-60 KSI.  
DESIGN LOADING: A-0.3/300PSF/WALKWAYS. FLOTATION FORCES NOT ACCOUNTED FOR.  
PIPING: OUTLET TEES, DROP LEGS & FITTINGS SUPPLIED & INSTALLED BY CONTR. CONTR. TO DRILL MIN. 6-2" HOLES BELOW TEE FITTING STARTING 6" OFF FLOOR.  
FRAME & COVER & RISERS: SEE DWG. #ST-NTTKRSR - "NON-TRAFFIC TANK RISERS".  
COVER OVER TANK: MAX. 3' OF EARTH FILL.

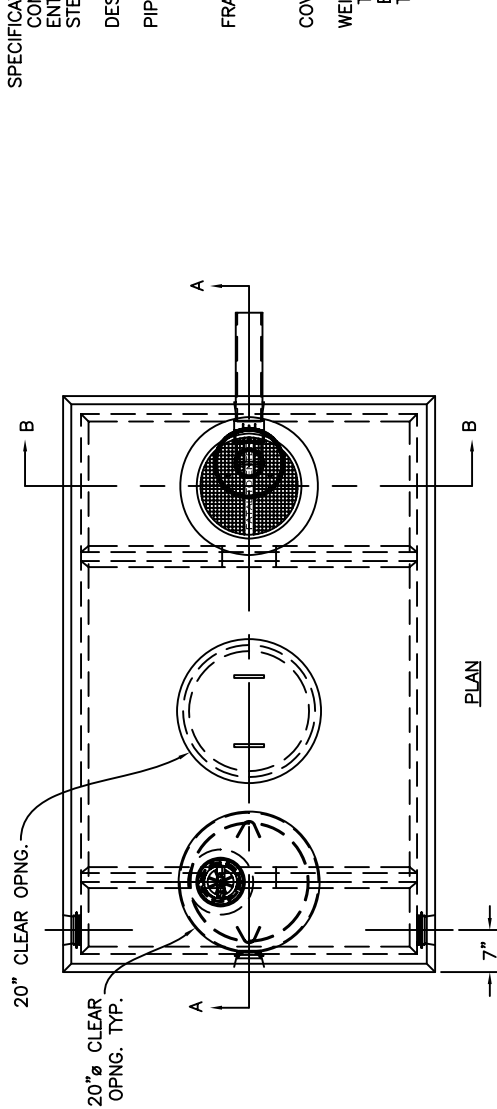
WEIGHT:  
TOP SECTION: 4,980 LBS.  
BOTTOM SECTION: 4,486 LBS.  
TOTAL: 9,466 LBS.



WATERTIGHT JOINT DETAIL  
SCALE: N/A  
 OPTIONAL A300 TERTIARY EFFLUENT POLISHING FILTER WITH EXTENSION (REMOVABLE FOR SERVICING)



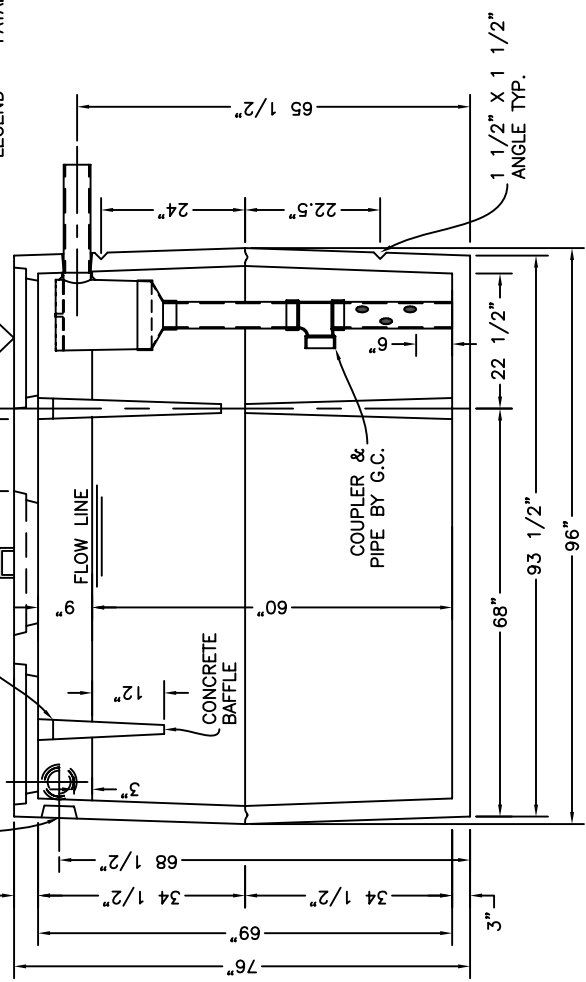
SECTION B-B



PLAN

STANDARD 20" COVER WITH 6" PVC COUPLER CAST IN WITH 6" SEWER VENT COVER ARE INCLUDED IF 18" DIA. FRAME & COVER ARE NOT USED  
 OPTIONAL - (REQ'D IF EFFLUENT FILTER IS USED) 18" DIA. CAST IRON FRAME & COVER LOCKING & GASKETED LEGEND - "FATAL TO ENTER"

6" CAST IRON SEWER VENT COVER  
STANDARD 6" S & D PIPE AVAILABLE IN 10' LENGTHS ONLY  
INLET 4" POLYETHYLENE PIPE SEAL  
3" GAS VENT TYP. 12"  
STANDARD 20" COVER WITH CAST-IN 6" S & D COUPLER



SECTION A-A